



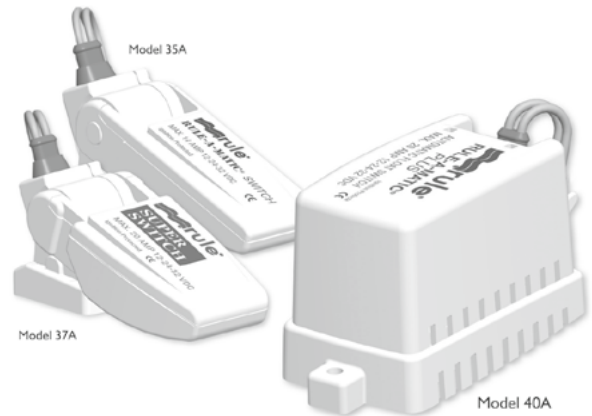
# Float Switches The Next Generation Models 35A, 35FA, 37A, 37FA, 40A, 40FA

## Features

- Patent pending snap switch design
- Snap switch tested to over 1,000,000 cycles @ 12V
- Highly abrasion resistant marine grade blocked wire
- Exclusive moisture tight seals
- Environmentally friendly mercury free design.

## Models

Model	Description	Max. Current @ 12V DC
35A	Rule-a-Matic	14A
35FA	Rule-a-Matic with fuse holder	14A
37A	Super Switch	20A
37FA	Super Switch with fuse holder	20A
40A	Rule-a-Matic covered switch	20A
40FA	Rule-a-Matic covered switch with fuse holder	20A



## Installation Instructions

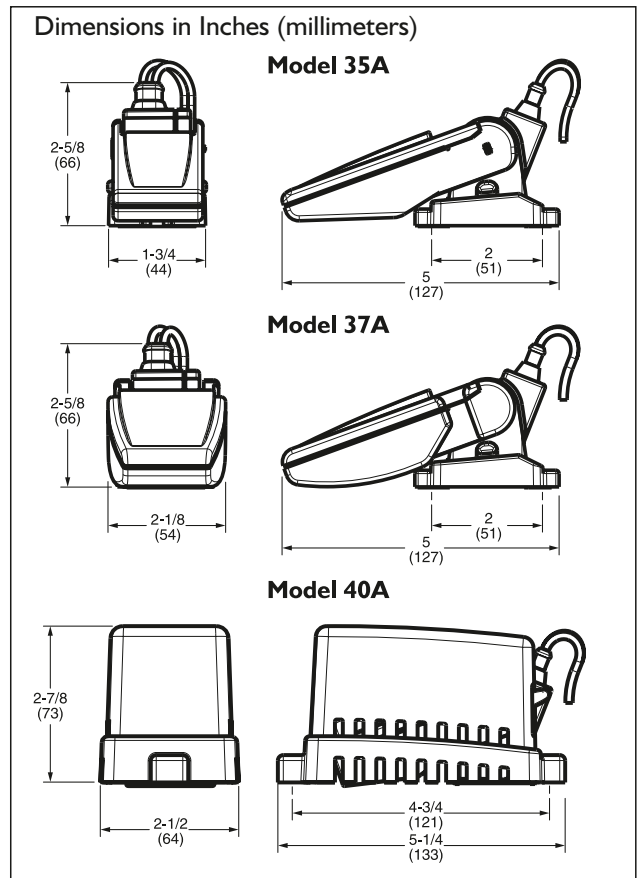
The Rule-a-Matic, Super Switch, and Rule-a-Matic Plus float switches are suitable for any submersible bilge pump with an operating current rating as listed below.

Voltage	Maximum Current Rating	
	Rule-a-Matic	Super Switch / Rule-a-Matic Plus
12V	14A	20A
24V	7A	10A
32V	n/a	6.5A

All switches will turn the pump on when the water level reaches 2" (51mm) and will turn the pump off when water level falls to 3/4" (19mm). They can also be used to operate high water alarm systems.

This product must be fused with the correct recommended fuse size for the pump to which it is connected. Do NOT use these switches in applications where the pump is operating above the maximum current in the table above.

## Dimensional Drawings

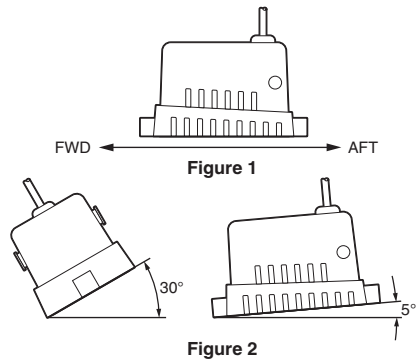


## Specifications

Model	Voltage	Wire Size	Wire Length	Max. Amps	Guard	Warranty
35A	12/24/32 VDC	16 Gauge (1.29mm)	28" (712 mm)	14	No	2 Years
37A	12/24/32 VDC	14 Gauge (1.63mm)	28" (712 mm)	20	No	5 Years
40A	12/24/32 VDC	14 Gauge (1.63mm)	28" (712 mm)	20	Yes	2 Years

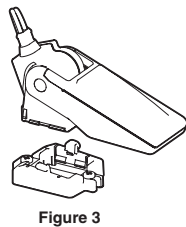
## Mounting Instructions

For best operation, the Rule switch should be located on a flat surface in the bilge compartment. Do not exceed the installation angles as described in the diagrams below as this will affect switch performance.

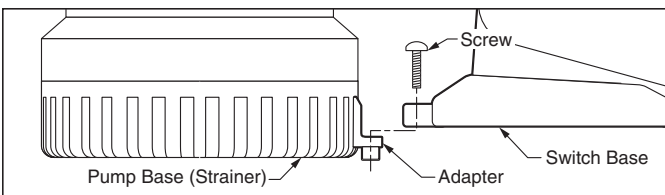


It is important that the switch is mounted 1/4" (6mm) above the bottom of the pump strainer. This will assure a positive shut off of the pump.

1. Position the switch parallel to the vessel's water line with the wire exiting the switch toward the stern.
2. For models 35A, 35FA, 37A, 37FA, unclip the switch base and attach base to the surface using suitable stainless steel screws. Re-clip switch into base (see Figure 3).
3. For models 40A and 40FA partially fit one screw in place and slide the switch into place before fitting second screw.
4. Ensure there is free movement of the float.



The Rule Switch may be mounted directly on to non automatic Rule pumps that accept an adapter (pumps with capacity of 1500 GPH (5678 lph) or greater). Rule adapters (model 64 and 65) are also available separately.



**IMPORTANT** KEEP ALL WIRE CONNECTIONS ABOVE THE HIGHEST WATER LEVEL. WIRES SHOULD BE SEALED WITH A WATERPROOF MARINE SEALANT TO PREVENT WIRE CORROSION!

## Electrical Installation

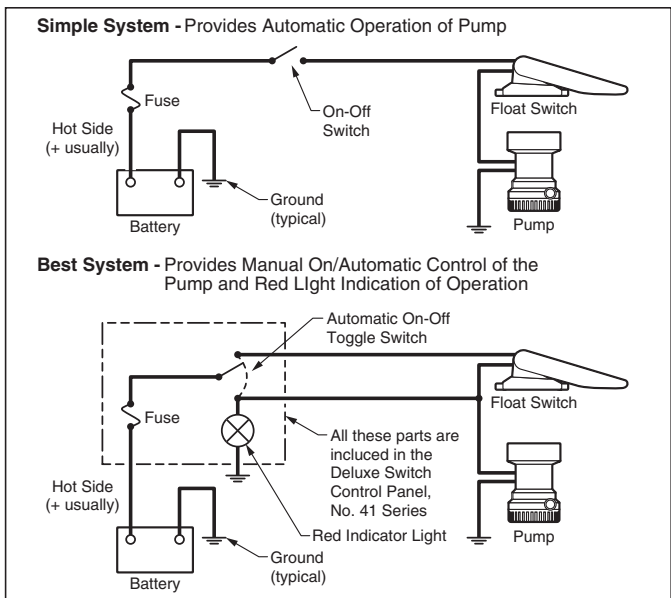
Wire the Rule switch as shown in the diagrams below. The positive (+) side of the battery should connect directly to the fuse (note models 35FA, 37FA, and 40FA include a fuse holder). Adding a fuse will prevent damage to both the pump and switch should an electrical problem occur. When adding additional wire up to 20 ft (6m), the wire added should be the same size (gauge) or larger than the size of the wire leads coming directly from the pump. For installations requiring over 20 ft (6m) of additional wire, the size of the added wire should be increased (e.g. if pump is fitted with 14 gauge, added wire should be increased to 12 gauge (2.05mm)).

**! IMPORTANT THIS PRODUCT SHOULD BE FUSED WITH THE RECOMMENDED FUSE SIZE FOR THE PUMP TO WHICH IT IS CONNECTED!**

## Operation

Rule float switches are designed to automatically turn the bilge pump on and off as required. If it is desired to pump the water level even lower, the pump can be operated by a 3-way Rule panel switch (models 41, 42, and 43) in the "manual" mode (see below diagram for illustration). To test the operation of the 40A/40FA switch and pump, press down on the lever located in the back of the switch. This will lift the float mechanism, which will turn on the bilge pump. Periodically clean any accumulated debris from around the switch or integral switch guard. This will allow free flow of water to the float.

## Wiring Diagrams



**xylem**  
Let's Solve Water

**USA**  
**Rule**  
100 Cummings Center, Ste 535-N  
Beverly, MA 01915  
Tel: 978-281-0440  
Fax: 978-283-2619

**UNITED KINGDOM**  
**Rule**  
Bingley Road, Hoddesdon  
Hertfordshire EN11 0BU  
Tel: +44 (0) 1992 450145  
Fax: +44 (0) 1992 467132

[www.rule-industries.com](http://www.rule-industries.com)



## Float Switch Instruction Manual

- FR** Manuel d'utilisation  
d'interrupteur à flotteur
- DE** Bedienungsanleitung für  
den Schwimmerschalter
- IT** Manuale delle istruzioni per  
l'interruttore galleggiante
- NL** Handleiding  
vlotterschakelaar
- SE** Användarhandledning för  
flottörkontakt
- ES** Manual de instrucciones del  
interruptor de flotador





**⚠ WARNING**



This unit is designed for use with fresh water and salt water **ONLY**. Use with any other hazardous, caustic, or corrosive material could result in damage to the pump and the surrounding environment, possible exposure to hazardous substances and injury.

**⚠ AVERTISSEMENT**

FR



Cette unité est conçue pour être utilisée **UNIQUEMENT** avec de l'eau douce ou de l'eau salée. L'utilisation de tout autre matériau dangereux, caustique ou corrosif pourrait endommager la pompe et l'environnement alentours et entraîner une exposition à des substances dangereuses ou des blessures.

**⚠ WARNHINWEIS**

DE



Diese Vorrichtung ist **NUR** für den Einsatz in Süß- und Salzwasser geeignet. Der Kontakt mit anderen gefährlichen, ätzenden oder reizenden Flüssigkeiten kann zu Beschädigungen der Pumpe und Umgebung, möglicher Freisetzung von gefährlichen Stoffen und zu Verletzungen führen.

**AVVERTENZA**

L'unità deve essere usata **SOLAMENTE** con acqua dolce o salata. L'uso con altro materiale pericoloso, caustico o corrosivo può danneggiare la pompa e l'ambiente circostante e causare l'esposizione a sostanze pericolose e infortuni alla persona.

IT

**WAARSCHUWING**

Deze unit is ontworpen voor gebruik met **UITSLUITEND** zoetwater en zoutwater. Gebruik met enig ander gevaarlijk, bijtend of corrosief materiaal kan resulteren in schade aan de pomp en de omgeving, mogelijke blootstelling aan gevaarlijke stoffen en letsel.

NL

**VARNING**

Denna enhet är konstruerad **ENDAST** för bruk med söt- och saltvatten. Användning med andra farliga, frätande eller brännande material kan resultera i skada på pump och den omgivande miljön, möjlig exponering för farliga ämnen och personskada.

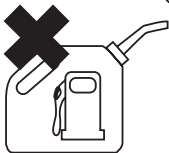
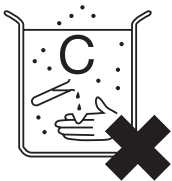
SE

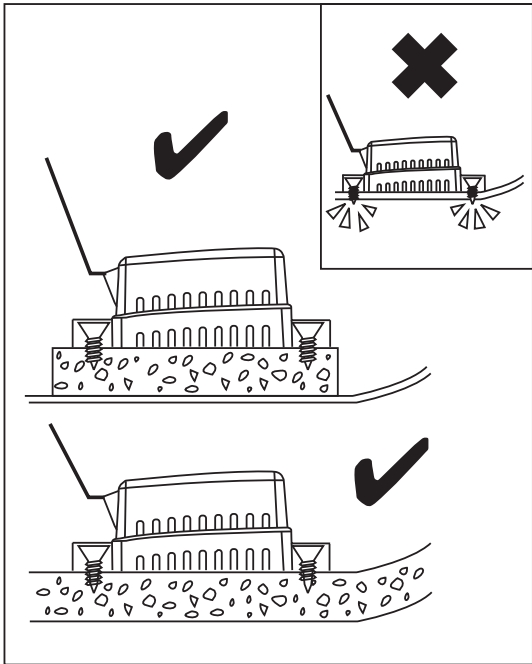
**ADVERTENCIA**

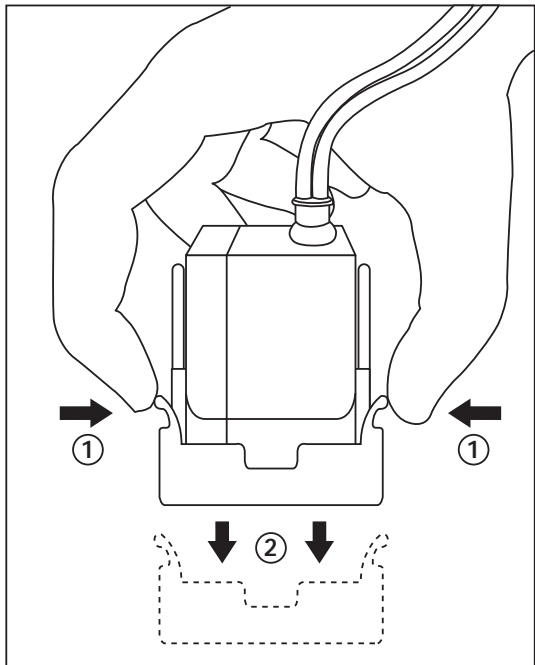
Esta unidad está diseñada para usar con agua dulce y salada **ÚNICAMENTE**. Si se usa con cualquier otro material peligroso, cáustico o corrosivo, pueden ocasionarse daños a la bomba y al medio ambiente circundante, posible exposición a sustancias peligrosas y lesiones.

ES

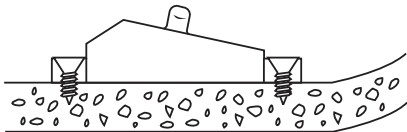
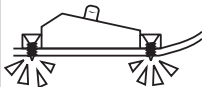
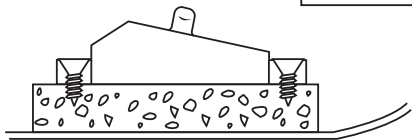


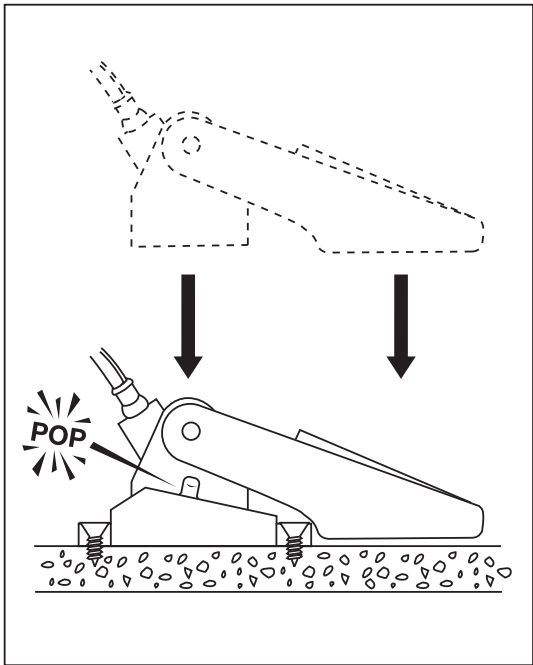




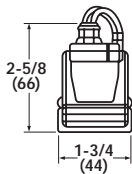




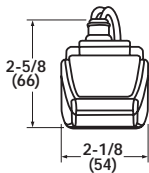
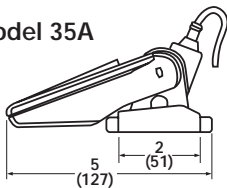




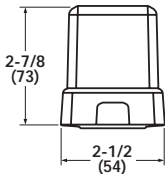
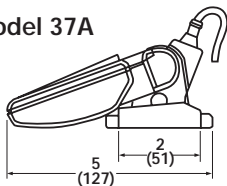
## Dimensions in Inches (Millimeters)



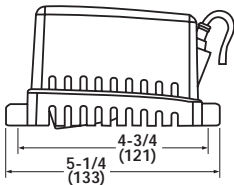
### Model 35A



### Model 37A



### Model 40A



**All mounting holes must be sealed with a marine grade sealant to prevent water intrusion.**



**FR**

Tous les trous de fixation doivent être rendus étanches à l'aide d'un mastic marine pour éviter toute pénétration d'eau.

**DE**

Alle Montagebohrungen müssen mit einem für Marineanwendungen geeigneten Dichtmittel abgedichtet werden, um das Eindringen von Wasser zu verhindern.

**IT**

Per evitare l'intrusione dell'acqua, sigillare tutti i fori di montaggio con un sigillante di qualità marina.

**NL**

Een zeewatervaste kit moet voor alle montageopeningen gebruikt worden om indringing van zeewater te vermijden.

**SE**

Alla monteringshål måste förseglas med ett tätningmedel för båtar för att hindra vatten från att tränga in.

**ES**

Todos los orificios de montaje deben sellarse con un sellador de grado marino para evitar la entrada de agua.

**ABYC**  
Setting Standards for Safer Boating

**Install to ABYC standards**

**FR**

Installation conformément aux normes de ABYC.

**DE**

In Übereinstimmung mit den ABYC-Normen installieren.

**IT**

Installare secondo gli standard ABYC.

**NL**

Installeren volgens ABYC normen

**SE**

Installera i enlighet med ABYC-standard.

**ES**

Instalar según las normas del ABYC.



**CE Logo**

When this product carries a CE mark, it conforms to one or more of the following standards: EN 61000-6-1:2001 EN 61000-6-3:2007

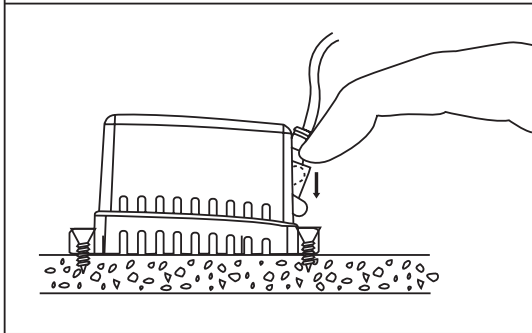
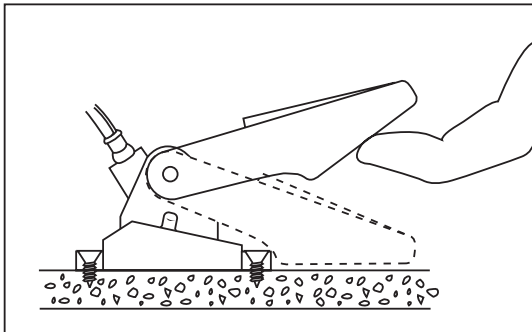
Following the Provisions of the Electromagnetic Compatibility Directive 2004/108/EC

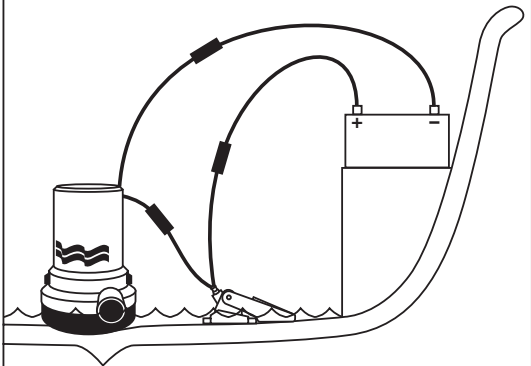
ISO 8846 / Electrical Devices Protection Against Ignition of Surrounding Flammable Gases

ISO 10133:2000 / Electrical Systems - Extra Low Voltage D.C. Installations Following the Provisions of the Recreation Craft Directive 94/25/EEC

# Testing the Float Switch

- FR** Tester l'interrupteur à flotteur
- DE** Prüfen des Schwimmerschalters
- IT** Prova dell'interruttore galleggiante
- NL** De vlotterschakelaar testen
- SE** Testa flottörkontakten
- ES** Prueba del interruptor de flotador





**CAUTION** Always install proper fuse size to prevent damage to product should a short occur. Failure to install proper fuse could increase risk of pump malfunction potentially resulting in personal injury and/or fire hazard.



**MISE EN GARDE** Toujours installer la taille de fusible appropriée pour éviter d'endommager le produit en cas de court-circuit, faute de quoi la pompe pourrait mal fonctionner et entraîner des blessures et/ou des dangers d'incendie.

FR



**VORSICHT** Immer die richtige Sicherungsstärke installieren, um im Fall eines Kurzschlusses eine Beschädigung des Geräts zu vermeiden. Die Verwendung der falschen Sicherungsstärke kann zu einem Versagen der Pumpe und damit möglicherweise zu Verletzungen und/oder Feuergefahr führen.

DE



**ATTENZIONE** Per evitare danni al prodotto in caso di cortocircuito, installare sempre fusibile della dimensione corretta. Se viene installato un fusibile scorretto, il rischio di malfunzionamento della pompa aumenta, con il pericolo d'infortunio alla persona e/o d'incendio.

IT



**VOORZICHTIG** Monteer altijd de juiste zekering om schade te voorkomen aan het product bij kortsluiting. Nalaten de juiste zekering te installeren, kan het risico op storingen aan de pomp verhogen, met eventueel persoonlijk letsel en/of brandgevaar tot gevolg.

NL



**VAR FÖRSIKTIG** Installera alltid rätt säkringsstorlek för att produktskada ifall av kortslutning. Underlåtelse att installera rätt säkring kan öka risken för pumpfel med ris för personskada och/eller brand som resultat.

SE



**PRECAUCIÓN** Instale siempre fusibles de tamaño apropiado para evitar daños al producto en caso de cortocircuito. Si no se instala el fusible del tamaño adecuado, puede aumentar el riesgo de fallas de la bomba que pueden ocasionar potencialmente lesiones y/o peligros de incendio.

ES

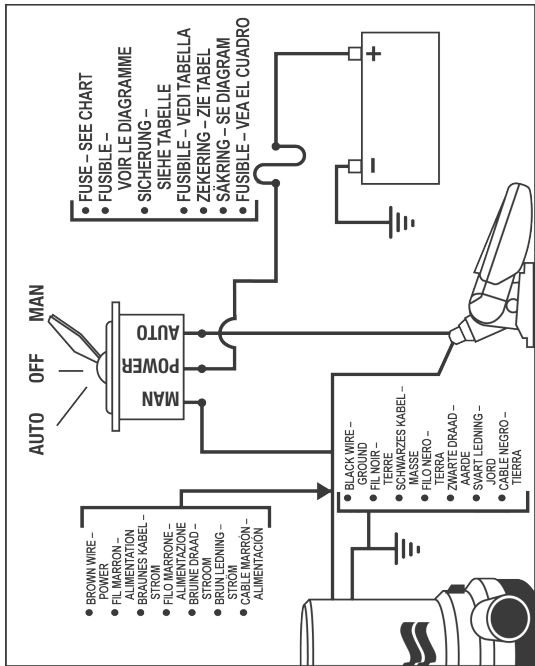




	A	B	C	D	E	F	G
	Model	Voltage	Wire Size	Wire Length	Max. Amps	Guard	Warranty (years)
<b>(FR)</b>	Modèle	Tension	Taille de fil	Longueur de fil	Amp. max.	Plaque de protection	Garantie (années)
<b>(DE)</b>	Modell	Spannung	Kabelstärke	Kabellänge	Max. Stromaufnahme	Schutz	Garantie (Jahre)
<b>(IT)</b>	Modello	Tensione	Dimensione del filo	Lunghezza del filo	Amp. max	Riparo	Garanzia (anni)
<b>(NL)</b>	Model	Spanning	Draad	Draadlengte	Max. amp.	Bescherming	Garantie (jaar)
<b>(SE)</b>	Modell	Spänning	Kabelstorlek	Ledningslängd	Max. ampere	Skydd	Garanti (år)
	Modelo	Voltaje	Tamaño del cable	Longitud del cable	Corriente máx.	Protección	Garantía (años)

A	B	C	D	E	F	G
35A	12/24VDC	16 Gauge (1.29mm)	28" (712mm)	14A (12v) 7A (24v)	No	2
37A	12/24/32VDC	14 Gauge (1.63mm)	28" (712mm)	20A(12v) 10A (24v) 6.5A (32v)	No	5
40A	12/24/32VDC	14 Gauge (1.63mm)	28" (712mm)	20A(12v) 10A (24v) 6.5A (32v)	Yes	2





**CAUTION** Disconnect power from the system before working on the unit to avoid personal injury, damage to the surrounding environment and/or damage to the unit.



**MISE EN GARDE** Déconnecter la source d'alimentation électrique du système avant d'effectuer toute réparation ou entretien pour éviter les blessures et d'endommager l'environnement alentours et/ou l'unité.

FR



**VORSICHT** Zur Vermeidung von Verletzungen, Umgebungs- und/oder Gerätebeschädigung vor jeglichen Arbeiten an der Einheit die Stromzufuhr trennen.

DE



**ATTENZIONE** Per evitare infortuni alla persona, danni all'ambiente circostante e/o all'unità, staccare sempre l'alimentazione dal sistema prima di lavorare sull'unità.

IT



**VOORZICHTIG** Schakel de stroomtoevoer naar het systeem uit voordat u aan de unit begint te werken. Dit om persoonlijk letsel, schade aan de omgeving en/of de unit te voorkomen.

NL



**VAR FÖRSIKTIG** Koppla från strömtillförseln från systemet innan du börjar arbeta på enheten för att undvika personskada, skada på omgivningen och/eller produktskada.

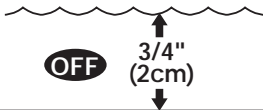
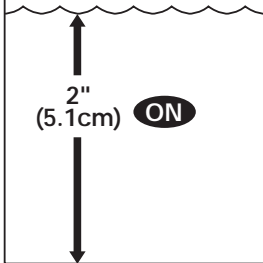
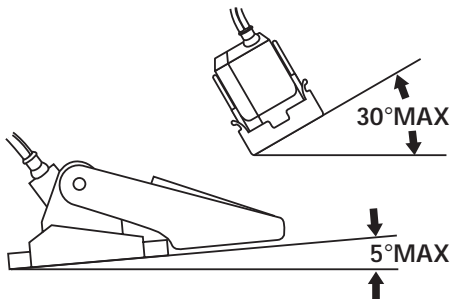
SE

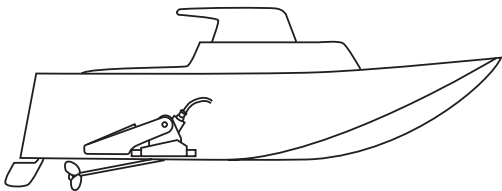
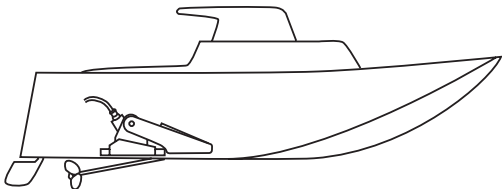


**PRECAUCIÓN** Desconecte la alimentación eléctrica del sistema antes de trabajar en la unidad, a fin de evitar lesiones personales, daños al medio ambiente circundante y/o a la unidad.

ES







**CAUTION**



Switch must be mounted equal to or above the pump base for positive shut-off.

**MISE EN GARDE**

**FR**



L'interrupteur doit être installé au même niveau ou au-dessus de la base de la pompe pour assurer un sectionnement positif.

**VORSICHT**

**DE**



Zum sicheren Schließen muss der Schalter auf der gleichen Ebene oder oberhalb der Pumpenbasis angebracht werden.

**ATTENZIONE**

**IT**



Per l'arresto positivo, montare l'interruttore al livello o al di sopra della base della pompa.

**VOORZICHTIG**

**NL**



De schakelaar moet gelijk met of boven het pomponderstuk worden gemonteerd voor een positieve uitschakeling.

**VAR FÖRSIKTIG**

**SE**



Strömbrytaren måste monteras på samma nivå som eller ovanför pumpbasen för positiv avstängning.

**PRECAUCIÓN**

**ES**



El interruptor se debe montar a la misma altura o arriba de la base de la bomba, para asegurar un apagado positivo.

**CAUTION**



Keep all wire connections above the highest water level. Wires must be joined with butt connectors and a marine grade sealant to prevent wire corrosion.

**MISE EN GARDE**



**FR**

Maintenir tous les raccords électriques au-dessus du niveau d'eau le plus élevé. Les fils doivent être raccordés avec des connecteurs bout à bout et un mastic marine pour empêcher la corrosion des conducteurs.

**VORSICHT**



**DE**

Darauf achten, dass sich alle Kabelverbindungen stets oberhalb des Wasserspiegels befinden. Drähte müssen mit Stoßverbindern verbunden und zum Rostschutz mit einem geeigneten Dichtmittel behandelt werden.

**ATTENZIONE**



**IT**

Mantenere tutti i collegamenti dei fili elettrici al di sopra del livello più alto dell'acqua. Per evitarne la corrosione, i fili elettrici devono essere congiunti con connettori a pressione diretta e sigillante specifico per uso marino.

**VOORZICHTIG**



**NL**

Houd alle draadverbindingen boven het hoogste waterniveau. De draden moeten worden samengehouden met een kabelverbinder en zeewatervaste kit. Dit om corrosie van de draden te voorkomen.

**VAR FÖRSIKTIG**



**SE**

Håll alla ledningsanslutningar ovanför den högsta vattennivån. Ledningar måste kopplas ihop med stumkontakter och förseglingsmedel för marint bruk för att förhindra ledningskorrosion.

**PRECAUCIÓN**



**ES**

Mantenga todas las conexiones de cables por arriba del máximo nivel del agua. Los cables deben empalmarse con conectores de tope y un sellador de grado marino, a fin de evitar la corrosión de los mismos.



For a copy of the warranty, visit us  
online at [www.rule-industries.com](http://www.rule-industries.com)

© Copyright 2012 Xylem Inc.  
950-0520 Rev. C 4/2012