



ANDERSEN®

STAINLESS STEEL WINCHES

240	Winch Selection Guide
241	Features & Information
242	Winch Range Overview
243	Manual Self Tailing Winches
244	Special Finishes
245 - 247	E1 Electric Winches
249 - 251	Two Speed & Three Speed Electric Winches
253 - 257	Compact Motor,™ Variable Speed Electric Winches
258 - 259	Hydraulic Winches
260 - 261	Classic Winches
262 - 264	Winch Handles & Accessories
265	Winch Service Kits



Winch Selection

Choose your Andersen winches to suit the type and size of your yacht, and your sailing requirements. This selection guide is intended for masthead rigged monohull yachts of medium displacement. Refer to the notes to the right of this page regarding other rig or displacement types.

Please note that this table lists typical winch sizing for the given applications, but cannot take into account all variables due to the wide variety of sailing vessels and conditions.

For electric or hydraulic winches, the size selection is generally similar to that of a manually operated winch.

For further details see our website at www.andersenwinches.com or consult your local Andersen winches representative for assistance in selecting your winches and information on features, options and installation.

Masthead Rigged

Use the length overall (LOA) figures as your primary selection criteria.

Fractional Rigged

Refer primarily to the sail area, rather than LOA.

Heavy Displacement

For boats with heavy displacement and/or a high righting moment, it is advisable to choose a winch larger than those indicated in the table.

Multihulls

Catamarans and trimarans have higher righting moments than monohulls of the same size, and should use winches larger than those indicated in the table.

LOA (Metres)	7.6 - 8.5	8.8 - 9.8	10.1 - 10.7	11.0 - 11.9	12.2 - 13.1	13.4 - 14.6	14.9 - 16.5	16.8 - 18.6	18.9 - 21.6	21.9 - 24.4	24.4+
LOA (Feet)	25 - 28	29 - 32	33 - 35	36 - 39	40 - 43	44 - 48	49 - 54	55 - 61	62 - 71	72 - 80	80+
Genoa Sail Area (m²/ft²)	28/300	33/3503	44/470	52/560	72/770	82/880	120/1300	170/1800	200/2100	250/2700	-
Spinnaker Sail Area (m²/ft²)	38/410	56/600	74/800	111/1200	150/1600	185/2000	260/2800	345/3700	420/4500	500/5400	-
Main Sail Area (m²/ft²)	14/150	20/210	24/260	30/320	40/430	46/470	70/750	88/950	102/1100	121/1300	-
APPLICATION											
	RECOMMENDED WINCH SIZE										
Genoa Sheet	12/16/18	28/34/40	40	46/50	50/52	58/62	62/68	68/72	72/82	82	110
Spinnaker Sheet	10/12	16/18	18/28	28/34/40	40/46	46/50/52	52/58	58/62/68	68/72/82	82	110
Main Sheet	10	12	18/28	18/28	34/40	46/50	52	52/58	58/62/68	68/72	82
Genoa Halyard	10/12	12/18	18/28	34/40	40/46	46/50	52	52/58/62	58/62	72	82
Spinnaker Halyard	10	12	12/18	18/28	40	46	46/50/52	52/58	58/62	68/72	82
Main Halyard	10	12	12/18	28/34/40	40	40/46	46/50/52	52/58	58/62	68/72	82
Reef Line	10	10	10	12/18	18/28	34/40	40/46	46/50/52	52/58	58/62	68

© X-Yachts



Experience Andersen Winches

Precision. Reliability. Performance

Enduring Strength, Everlasting Finish

Every Andersen winch is made with the care and craftsmanship that come from more than fifty years of experience. Andersen winches are built to last, to retain their exceptional finish and to deliver season after season of reliable performance and sailing pleasure to their owner through the years.

Materials

Andersen winch drums are produced from grade 316L stainless steel, cold formed in stages during manufacture to further increase strength and hardness as it takes its final form. The resulting construction is lightweight, yet stiff and unyielding.

Drive shafts are in grade 329 duplex stainless steel. Pawls are cut from a cold pressed profile in grade 316 stainless steel and are virtually unbreakable.

The upper centre stems of Andersen winches are manufactured from aluminium bronze for ultimate durability. The combination of materials and design contribute to a lightweight, rigid final assembly that enhances the mechanical efficiency of the winch. Andersen winches are of similar weight to winches with aluminium drums, but are far more durable.

Features

Andersen winch drums incorporate the distinctive Power Rib™ which ensures a controlled grip on the line at all times, whether trimming or easing. The highly polished stainless steel surface minimises vertical friction and allows the loaded rope turns to slide easily upward as the drum rotates, without the shuddering and excessive rope wear seen on winches that rely on a rough surface finish for grip.













Stainless steel roller bearings and ball bearings carry the highest drum loads to the centre stem of the winch, minimising efficiency losses due to friction.

The self tailing arm can be rotated through 360 degrees for optimum positioning (40ST and larger). Stainless steel self tailing jaws adjust automatically to suit various rope sizes.

Andersen winches are designed for simple, straightforward installation and maintenance. Servicing is only required every two years or so under normal use.

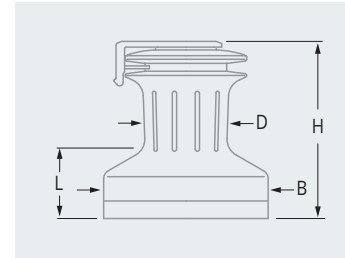


Self-Tailing Winch Range

WINCH TYPE	MODEL	12ST	18ST	28ST	34ST	40ST	46ST	50ST	52ST	58ST	62ST	68ST	72ST	82ST	110ST
MANUAL SPEEDS		1	1	2	2	2	2	2	2	2	2	2	2	3	2
Manual															
Self-Tailing		✓	✓	✓	✓	✓	✓	✓	✓	✓	✓	✓	✓	✓	✓
Electric*															
E1 Single Speed				✓	✓	✓	✓	✓	✓	✓	✓	✓	✓		
Two Speed															✓ (24V only)
Three Speed															✓ (24V only)
Compact Motor™ Electric*1															
Variable Speed Above Deck				✓	✓	✓	✓	✓	✓	✓	✓	✓ ^{*2}	✓ ^{*2}		
Variable Speed Below Deck				✓	✓	✓	✓	✓	✓	✓	✓	✓ ^{*2}	✓ ^{*2}		
Hydraulic															
Single Speed									✓	✓	✓	✓	✓		
Two Speed															✓
Three Speed															✓
Electric Conversion Kit*1															
E1 Single Speed				✓	✓	✓	✓	✓	✓	✓	✓	✓	✓		
Compact Motor™ Variable Speed Above Deck				✓	✓	✓	✓	✓	✓	✓	✓	✓ ^{*2}	✓ ^{*2}		
Compact Motor™ Variable Speed Below Deck				✓	✓	✓	✓	✓	✓	✓	✓	✓ ^{*2}	✓ ^{*2}		

*1 Available in 12V or 24V unless specified otherwise.

*2 Sizes 68ST & 72ST Compact Motor™ electric winches have low range and high range variable speed control, via the two included push buttons.



PRODUCT No.	WINCH MODEL	GEAR RATIO 1ST SPEED	GEAR RATIO 2ND SPEED	GEAR RATIO 3RD SPEED	POWER RATIO 1ST SPEED	POWER RATIO 2ND SPEED	POWER RATIO 3RD SPEED	LINE SIZE mm	DRUM "D" mm	BASE "B" mm	HEIGHT "H" mm	LINE ENTRY "L" mm	WEIGHT kg
RA2012010000	12ST	1.3:1	-	-	9.5:1	-	-	8 - 14	70	115	127	44	2.6
RA2018010000	18ST	2.6:1	-	-	18.8:1	-	-	8 - 14	70	120	133	50	3.2
RA2028010000	28ST	1.3:1	4.0:1	-	9.5:1	28.6:1	-	8 - 14	70	125	147	65	3.9
RA2034010000	34ST	1.3:1	4.7:1	-	9.5:1	33.8:1	-	8 - 14	70	125	147	65	4.1
RA2040010000	40ST	1.3:1	6.0:1	-	8.9:1	40.0:1	-	8 - 14	75	152	172	71	4.9
RA2046010000	46ST	2.8:1	8.4:1	-	15.7:1	47.1:1	-	8 - 14	89	180	202	90	7.8
RA2050010000	50ST	2.8:1	8.8:1	-	15.7:1	49.3:1	-	8 - 14	89	180	202	90	7.8
RA2052010000	52ST	3.2:1	10.5:1	-	16.2:1	52.5:1	-	8 - 16	100	200	220	106	10.3
RA2058010000	58ST	3.7:1	13.1:1	-	16.0:1	57.1:1	-	8 - 18	115	230	251	111	16.0
RA2062010000	62ST	3.7:1	14.4:1	-	16.0:1	62.6:1	-	8 - 18	115	230	251	111	16.0
RA2068010000	68ST	5.8:1	18.8:1	-	20.7:1	67.1:1	-	10 - 18	140	280	273	120	24.5
RA2072010000	72ST	5.8:1	20.3:1	-	20.7:1	72.6:1	-	10 - 18	140	280	273	120	24.5
RA2082010000	82-3ST	3.7:1	8.8:1	27.7:1	11.0:1	26.0:1	81.6:1	12 - 18	170	318	305	127	28.9
RA2110010000	110ST	10.2:1	56.1:1	-	20.3:1	112.2:1	-	16 - 25	250	395	419	170	72.5

PRODUCT No.	WINCH MODEL	GEAR RATIO 1ST SPEED	GEAR RATIO 2ND SPEED	GEAR RATIO 3RD SPEED	POWER RATIO 1ST SPEED	POWER RATIO 2ND SPEED	POWER RATIO 3RD SPEED	LINE SIZE in	DRUM "D" in	BASE "B" in	HEIGHT "H" in	LINE ENTRY "L" in	WEIGHT lb
RA2012010000	12ST	1.3:1	-	-	9.5:1	-	-	5/16 - 9/16	2 3/4	4 1/2	5	1 3/4	5.7
RA2018010000	18ST	2.6:1	-	-	18.8:1	-	-	5/16 - 9/16	2 3/4	4 3/4	5 1/4	1 15/16	7.0
RA2028010000	28ST	1.3:1	4.0:1	-	9.5:1	28.6:1	-	5/16 - 9/16	2 3/4	4 15/16	5 13/16	2 9/16	8.6
RA2034010000	34ST	1.3:1	4.7:1	-	9.5:1	33.8:1	-	5/16 - 9/16	2 3/4	4 15/16	5 13/16	2 9/16	9.0
RA2040010000	40ST	1.3:1	6.0:1	-	8.9:1	40.0:1	-	5/16 - 9/16	2 15/16	6	6 13/16	2 13/16	10.8
RA2046010000	46ST	2.8:1	8.4:1	-	15.7:1	47.1:1	-	5/16 - 9/16	3 1/2	7 1/16	7 15/16	3 9/16	17.2
RA2050010000	50ST	2.8:1	8.8:1	-	15.7:1	49.3:1	-	5/16 - 9/16	3 1/2	7 1/16	7 15/16	3 9/16	17.2
RA2052010000	52ST	3.2:1	10.5:1	-	16.2:1	52.5:1	-	5/16 - 5/8	3 15/16	7 7/8	8 11/16	4 3/16	22.7
RA2058010000	58ST	3.7:1	13.1:1	-	16.0:1	57.1:1	-	5/16 - 5/8	4 1/2	9 1/16	9 7/8	4 3/8	35.3
RA2062010000	62ST	3.7:1	14.4:1	-	16.0:1	62.6:1	-	5/16 - 5/8	4 1/2	9 1/16	9 7/8	4 3/8	35.3
RA2068010000	68ST	5.8:1	18.8:1	-	20.7:1	67.1:1	-	3/8 - 5/8	5 1/2	11	10 3/4	4 3/4	54.0
RA2072010000	72ST	5.8:1	20.3:1	-	20.7:1	72.6:1	-	3/8 - 5/8	5 1/2	11	10 3/4	4 3/4	54.0
RA2082010000	82-3ST	3.7:1	8.8:1	27.7:1	11.0:1	26.0:1	81.6:1	1/2 - 3/4	6 11/16	12 1/2	12	5	63.6
RA2110010000	110ST	10.2:1	56.1:1	-	20.3:1	112.2:1	-	5/8 - 1	9 13/16	15 9/16	16 1/2	6 11/16	159.8

Special Finishes

Hand polished stainless steel has long been the signature finish for Andersen winches. They are also available in a selection of other high quality special finishes:

PVD Coating

An extremely durable coating process known as Physical Vapour Deposition that can be used to apply a black or bronze coloured finish to the stainless steel components of our winches. It is a high quality, permanent finish with excellent impact and abrasion resistance.

ZT Finish

A surface finish for stainless steel obtained by hand polishing the surface, and then blasting the metal with a finishing media. The ZT finish is often described as "gun metal grey" or "titanium look".



Empowered Sailing

Andersen E1 electric winches allow you to hoist and trim sails at the push of a button regardless of physical strength, so any crew member can easily and safely trim sails and control lines. Perfect for enjoying sailing short-handed or with friends and family. In addition to the host of standard features that make Andersen self-tailing winches the benchmark for quality and performance, Andersen E1 electric winches are engineered with unsurpassed levels of functionality, monitoring and protection.

Ease of installation

Contactors and controller are contained within the motor unit, so no separate control box is necessary. Simplified electrical installation requires just the connection of positive and negative power cables to the motor terminals and the connection of the push button using the included output cable.

Marine grade circuit breakers are also available for protection and isolation.

Efficient, high quality motor

At the heart of the E1 electric winch is a high quality European engineered and manufactured series wound motor. Carefully matched with the optimum gearbox these winches deliver high speed at low load for fast sheeting in, and low speed at high load for safe, fine tuning when trimming. They are available in 12 volt and 24 volt models providing smooth and quiet operation across a wide working load range.

Illuminated "intelligent" push button

E1 winches are supplied with a push button with an integrated LED which illuminates when power to the winch system is on. The push button incorporates a hinged safety cover to prevent inadvertent winch operation and is water resistant rated to IP67. The push button also acts with the controller to flash status codes that assist with troubleshooting in the event of overload or where other system protection intervention occurs. A cable for connection of the push button is included for convenient installation.

Unrivalled monitoring and protection

- **Integrated overload protection** – The controller is pre-set to stop the winch if the maximum pull load is exceeded. Operation can resume within a few seconds when the load returns below the limit.
- **Thermal overload protection** – The motor is fitted with a thermal cutout that disables the motor in case of overheating; it automatically resets after the temperature returns to normal.
- **Reverse polarity protection** – An integrated 5 amp fuse protects the motor against incorrect cable connection.
- **Accidental start protection** – Winch operation is disabled if the push button is already inadvertently pressed when the power supply is turned on at the circuit breaker or battery.
- **Low voltage detection** – Operation is disabled if the battery charge level is low, which prevents further drain on batteries and avoids triggering low voltage reset of navigation instruments and other electronic devices.
- **Continuous run time limit** – Operation is disabled if continuous run time exceeds 10 minutes.

Manual operation

Two speed manual operation is always available as a backup.

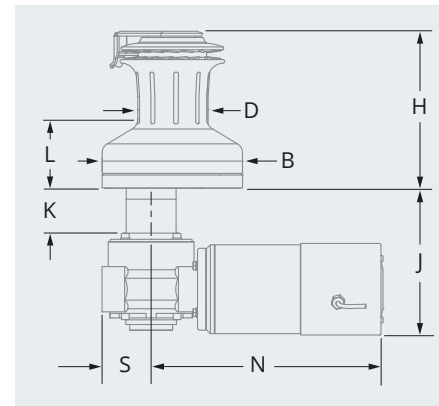




E1 electric motor conversion kits also available



Included with all E1 electric winches:
 • 1 x RA582000 push button
 • 1200mm (47") input/output cable from the motor



WINCH MODEL	LINE SIZE mm	DRUM "D" mm	BASE "B" mm	HEIGHT "H" mm	LINE ENTRY "L" mm	MAX. DECK "K" mm*	MOTOR DEPTH "J" mm	GEAR LENGTH "S" mm	MOTOR LENGTH "N" mm	WEIGHT kg
28ST	8 - 14	70	125	157	75	49	183	65	300	18
34ST	8 - 14	70	125	157	75	49	183	65	300	18
40ST	8 - 14	75	152	180	79	49	183	65	300	19
46ST	8 - 14	89	181	202	90	57	191	65	300	21
50ST	8 - 14	89	181	202	90	57	191	65	300	21
52ST	8 - 16	100	200	220	106	57	196	65	350	28
58ST	8 - 18	115	230	261	122	41	213	75	384	35
62ST	8 - 18	115	230	261	122	41	213	75	384	35
68ST	10 - 18	142	280	283	129	41	213	75	384	42
72ST	10 - 18	142	280	283	129	41	213	75	384	42

WINCH MODEL	LINE SIZE in	DRUM "D" in	BASE "B" in	HEIGHT "H" in	LINE ENTRY "L" in	MAX. DECK "K" in*	MOTOR DEPTH "J" in	GEAR LENGTH "S" in	MOTOR LENGTH "N" in	WEIGHT lb
28ST	5/16 - 9/16	2 3/4	4 15/16	6 3/16	2 15/16	1 15/16	7 3/16	2 9/16	11 13/16	39.7
34ST	5/16 - 9/16	2 3/4	4 15/16	6 3/16	2 15/16	1 15/16	7 3/16	2 9/16	11 13/16	39.7
40ST	5/16 - 9/16	2 15/16	6	7 1/16	3 1/8	1 15/16	7 3/16	2 9/16	11 13/16	41.9
46ST	5/16 - 9/16	3 1/2	7 1/8	7 15/16	3 9/16	2 1/4	7 1/2	2 9/16	11 13/16	46.3
50ST	5/16 - 9/16	3 1/2	7 1/8	7 15/16	3 9/16	2 1/4	7 1/2	2 9/16	11 13/16	46.3
52ST	5/16 - 5/8	3 15/16	7 7/8	8 11/16	4 3/16	2 1/4	7 1/2	2 9/16	13 13/16	61.7
58ST	5/16 - 5/8	4 1/2	9 1/16	10 1/4	4 13/16	1 5/8	8 3/8	2 15/16	15 1/8	77.1
62ST	5/16 - 5/8	4 1/2	9 1/16	10 1/4	4 13/16	1 5/8	8 3/8	2 15/16	15 1/8	77.1
68ST	13/32 - 5/8	5 5/8	11	11 3/16	5 1/16	1 5/8	8 3/8	2 15/16	15 1/8	92.6
72ST	13/32 - 5/8	5 5/8	11	11 3/16	5 1/16	1 5/8	8 3/8	2 15/16	15 1/8	92.6

* Extensions available to suit longer "K" dimensions.

Winches & Conversion Kits



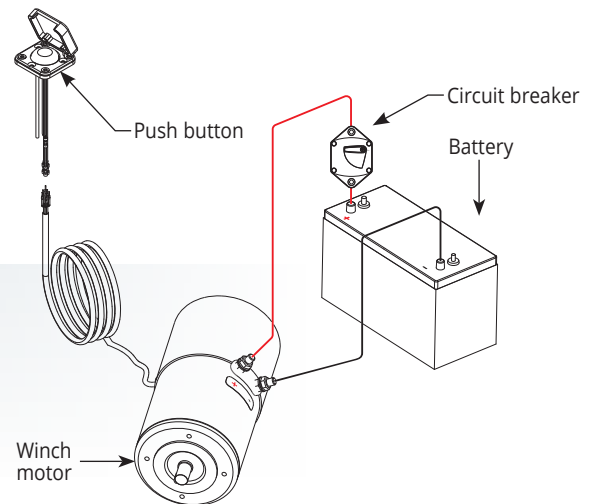
WINCH MODEL	E1 Full Stainless Winches		E1 Winch Conversion Kits	
	12V	24V	12V	24V
Winches & Conversion Kits				
28ST	RA2028011300	RA2028011400	RA2028211300	RA2028211400
34ST	RA2034011300	RA2034011400	RA2034211300	RA2034211400
40ST	RA2040011300	RA2040011400	RA2040211300	RA2040211400
46ST	RA2046011300	RA2046011400	RA2046211300	RA2046211400
50ST	RA2050011300	RA2050011400	RA2050211300	RA2050211400
52ST	RA2052011300	RA2052011400	RA2052211300	RA2052211400
58ST	RA2058011300	RA2058011400	RA2058211300	RA2058211400
62ST	RA2062011300	RA2062011400	RA2062211300	RA2062211400
68ST	RA2068011300	RA2068011400	RA2068211300	RA2068211400
72ST	RA2072011300	RA2072011400	RA2072211300	RA2072211400

Push Buttons



PRODUCT No.	DESCRIPTION
Push Buttons	
RA582000	Push button on/off switch, LED, plastic hinged cover, incl. 500mm (19 5/8") cable with connectors
RA582010	Push button on/off switch, LED, stainless steel hinged cover, incl. 500mm (19 5/8") cable with connectors
RA582020	Push button on/off switch, LED, stainless steel hinged cover with finger access, incl. 500mm (19 5/8") cable with connectors

- ✓ Rubber gasket included.
- ✓ Requires only 25mm (1") clearance below mounting surface.



Circuit Breakers

PRODUCT No.	DESCRIPTION	Compatible Winch Sizes	
		12V	24V
Circuit Breakers			
RA590070	Circuit breaker 70 amp	-	28, 34, 40, 46, 50
RA590120	Circuit breaker 120 amp	40	52, 58, 62, 68, 72
RA590150	Circuit breaker 150 amp	28, 34, 46, 50	-
RA590200	Circuit breaker 200 amp	52, 58, 62, 68, 72	-



- ✓ "Slow blow" type, manual reset
- ✓ On/Off switch capability
- ✓ External ignition protected (ABYC E-11; CE; SAE J1171)
- ✓ Marine weatherproof rated
- ✓ DC power systems only
- ✓ 8mm (5/16") cable terminals (same as E1 motor unit)



Empowered Sailing

Andersen Two Speed and Three Speed electric winches are the perfect solution for larger boats, of 16m (60ft) or more, providing the power and control to safely hoist and trim sails of any size at the push of a button.

In addition to the host of standard features that make Andersen self-tailing winches the benchmark for quality and performance, Andersen Two Speed and Three Speed electric winches are engineered with unsurpassed levels of performance, monitoring and protection.

Powerful and efficient, high quality motor

At the heart of each Andersen Two Speed and Three Speed electric winch is a powerful European engineered and manufactured series wound motor. Carefully matched with the optimum gearbox these winches deliver high speed at low load for fast sheeting in, and low speed at high load for safe, fine tuning when trimming. For maximum performance and efficiency they are supplied in a 24 volt version, providing smooth operation across a wide working load range.

Illuminated "intelligent" push buttons

Two Speed and Three Speed electric winches are supplied with push buttons with integrated LED which illuminates when power to the winch system is on. The push buttons incorporate a hinged safety cover to prevent inadvertent winch operation and are water resistant rated to IP67. The push buttons also act with the controller to flash status codes that assist with trouble shooting in the event of overload or where other system protection intervention occurs.

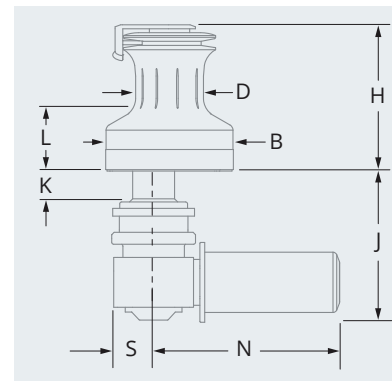
Manual operation

Manual operation is always available as a backup.

Unrivalled monitoring and protection

- **Integrated overload protection** – The controller is pre-set to stop the winch if the maximum pull load is exceeded. Operation can resume within a few seconds when the load returns below the limit.
- **Thermal overload protection** – The motor is fitted with a thermal cutout that disables the motor in case of overheating; it automatically resets after the temperature returns to normal.
- **Reverse polarity protection** – An integrated 5 amp fuse protects the controller against incorrect cable connection.
- **Accidental start protection** – Winch operation is disabled if a push button is already inadvertently pressed when the power supply is turned on at the circuit breaker or battery.
- **Low voltage detection** – Operation is disabled if the battery charge level is low, which prevents further drain on batteries and avoids triggering low voltage reset of navigation instruments and other electronic devices.
- **Continuous run time limit** – Operation is disabled if continuous run time exceeds 10 minutes.





Included with 110ST Two Speed electric winch:

- 2 x RA582000 push buttons
- Control box incorporating controller and contactors

240 x 191 x 107 mm (9 7/16 x 7 1/2 x 4 1/4")

Included with 82-3ST Three Speed electric winch:

- 2 x RA582000 push buttons

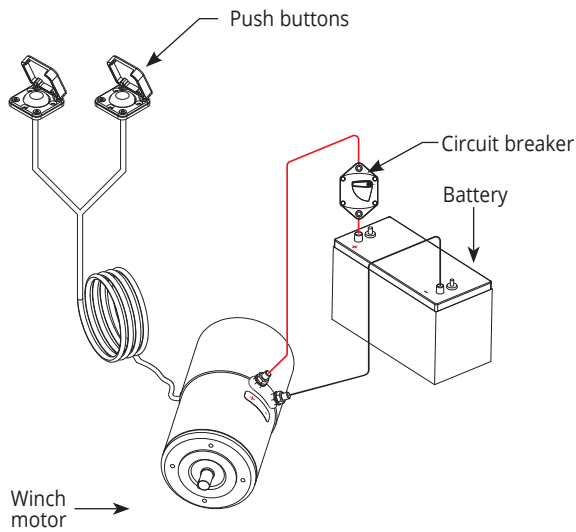
WINCH MODEL	LINE SIZE mm	DRUM "D" mm	BASE "B" mm	HEIGHT "H" mm	LINE ENTRY "L" mm	MAX. DECK "K" mm*	MOTOR DEPTH "J" mm	GEAR LENGTH "S" mm	MOTOR LENGTH "N" mm	WEIGHT kg
82-3ST	12 - 18	170	318	305	127	106	247	73	382	49.5
110ST	16 - 25	250	395	419	170	70	380	100	470	136

METRIC DIMENSIONS

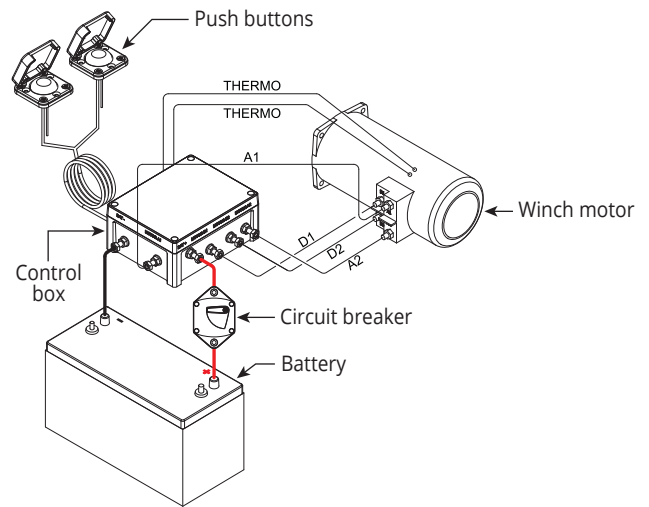
WINCH MODEL	LINE SIZE in	DRUM "D" in	BASE "B" in	HEIGHT "H" in	LINE ENTRY "L" in	MAX. DECK "K" in*	MOTOR DEPTH "J" in	GEAR LENGTH "S" in	MOTOR LENGTH "N" in	WEIGHT lb
82-3ST	1/2 - 3/4	6 11/16	12 1/2	12	5	4 3/16	9 3/4	2 7/8	15 1/16	108.9
110ST	5/8 - 1	9 7/8	15 9/16	16 1/2	6 11/16	2 3/4	15	3 15/16	18 1/2	299.3

IMPERIAL DIMENSIONS

* Extensions available to suit longer "K" dimensions.



82-3ST Three Speed Electric



110ST Two Speed Electric

Push Buttons



- ✓ Rubber gasket included.
- ✓ Push button requires only 25mm (1") clearance below mounting surface

PRODUCT No.	DESCRIPTION
Push Buttons	
RA582000	Push button on/off switch, LED, plastic hinged cover, incl. 500mm (19 5/8") cable with connectors
RA582010	Push button on/off switch, LED, stainless steel hinged cover, incl. 500mm (19 5/8") cable with connectors
RA582020	Push button on/off switch, LED, stainless steel hinged cover with finger hole, incl. 500mm (19 5/8") cable with connectors

Circuit Breakers

PRODUCT No.	DESCRIPTION	Compatible Winch Sizes 24V
Circuit Breakers		
RA590150	Circuit breaker 150 amp	82-3ST
RA590200	Circuit breaker 200 amp	110ST



- ✓ "Slow blow" type, manual reset
- ✓ On/Off switch capability
- ✓ External ignition protected (ABYC E-11; CE; SAE J1171)
- ✓ Marine weatherproof rated
- ✓ DC power systems only
- ✓ 8mm (5/16") cable terminals



Empowered Sailing

Andersen Compact Motor™ electric winches allow you to hoist and trim sails at the push of a button regardless of physical strength, so any crew member can easily and safely trim sails and control lines.

Ease of installation

The Andersen Compact Motor™ electric winch is available in two formats for either Above Deck or Below Deck motor placement. Motor gearbox and controller are integrated into one compact unit with no extra control box necessary. Simplified electrical installation requires just the connection of positive and negative power cables to the motor terminals and the connection of the push button using the included output cable.

Efficient, variable speed

The Andersen Compact Motor™ is a brushless DC motor carefully matched to a low profile planetary gearbox which requires less space for installation, and draws considerably less current than traditional motor/gearbox configurations. Available in 12 volt and 24 volt models, Compact Motor™ electric winches operate at variable speed in proportion to the pressure applied to the push button, for smooth and quiet operation.

Illuminated "intelligent" push button

Compact Motor™ winches are supplied with a push button with integrated LED which illuminates when power to the winch system is on. The push button incorporates a hinged safety cover to prevent inadvertent winch operation and is water resistant rated to IP67. The push button also acts with the controller to flash status codes that assist with trouble shooting in the event of overload or where other system protection intervention occurs. A cable for connection of the push button is included for convenient installation.

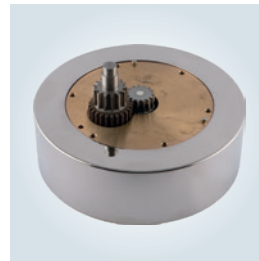
Built-in protection

- **Integrated overload protection** – The controller is pre-set to stop the winch if the maximum pull load is exceeded. Operation can resume within a few seconds when the load returns below the limit.
- **Thermal overload protection** – The motor is fitted with a thermal cutout that disables the motor in case of overheating; it automatically resets after the temperature returns to normal.

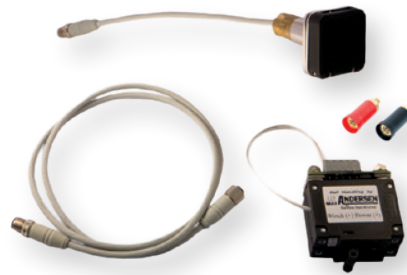
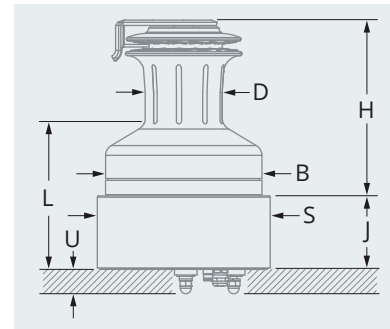
Manual operation

Two speed manual operation is always available as a backup; to winch beyond the pre-set maximum pull load (but below the winch MWL) or just for the experience.





Above Deck Compact Motor™ unit



- Included with all Compact Motor™ electric winches:
- 1*2 x RA866000 push button with 190mm (7 1/2") control cable
 - 1*2 x RD877610 1m (39") control cable
 - 1 x RD877800 terminal extension kit
 - Controller with integrated circuit breaker
 - Motor has 140mm (5 1/2") control cable included

IMPORTANT INFORMATION: Compact Motor™ Above Deck winches and conversion kits are not recommended for mounting on vertical surfaces. Mounting on vertical surfaces (mast, cabin sides, etc.) can expose them to excessive moisture and water ingress, resulting in damage that may not be covered by warranty.

WINCH MODEL	LINE SIZE mm	DRUM "D" mm	BASE "B" mm	HEIGHT "H" mm	LINE ENTRY "L" mm	MOTOR HEIGHT "J" mm	MOTOR DIAM. "S" mm	MOTOR DEPTH "U" mm*1	WEIGHT kg
28ST	8 - 14	70	125	147	150	85	200	28	16
34ST	8 - 14	70	125	147	150	85	200	28	16
40ST	8 - 14	75	152	172	155	85	200	28	17
46ST	8 - 14	89	181	202	175	85	200	28	19
50ST	8 - 14	89	181	202	175	85	200	28	19
52ST	8 - 16	100	200	220	190	85	254	28	29
58ST	8 - 18	115	230	251	198	85	254	28	34
62ST	8 - 18	115	230	251	198	85	254	28	34
68ST	10 - 18	142	280	273	208	89	285	27	51
72ST	10 - 18	142	280	273	208	89	285	27	51

WINCH MODEL	LINE SIZE in	DRUM "D" in	BASE "B" in	HEIGHT "H" in	LINE ENTRY "L" in	MOTOR HEIGHT "J" in	MOTOR DIAM. "S" in	MOTOR DEPTH "U" in*1	WEIGHT lb
28ST	5/16 - 9/16	2 3/4	4 15/16	5 13/16	5 15/16	3 3/8	7 7/8	1 1/8	35.3
34ST	5/16 - 9/16	2 3/4	4 15/16	5 13/16	5 15/16	3 3/8	7 7/8	1 1/8	35.3
40ST	5/16 - 9/16	2 15/16	6	6 13/16	6 1/8	3 3/8	7 7/8	1 1/8	37.5
46ST	5/16 - 9/16	3 1/2	7 1/8	7 15/16	6 7/8	3 3/8	7 7/8	1 1/8	41.9
50ST	5/16 - 9/16	3 1/2	7 1/8	7 15/16	6 7/8	3 3/8	7 7/8	1 1/8	41.9
52ST	5/16 - 5/8	3 15/16	7 7/8	8 11/16	7 1/2	3 3/8	10	1 1/8	63.9
58ST	5/16 - 5/8	4 1/2	9 1/16	9 7/8	7 13/16	3 3/8	10	1 1/8	75
62ST	5/16 - 5/8	4 1/2	9 1/16	9 7/8	7 13/16	3 3/8	10	1 1/8	75
68ST	13/32 - 5/8	5 5/8	11	10 3/4	8 3/16	3 1/2	11 1/4	1 1/16	112.5
72ST	13/32 - 5/8	5 5/8	11	10 3/4	8 3/16	3 1/2	11 1/4	1 1/16	112.5

*1 All Compact Motor™ Above Deck winches are supplied with 1 set of 41mm (1 5/8") terminal extensions. Additional RD877800 terminal extension kits available to order to suit longer "U" dimensions.

*2 Sizes 68ST & 72ST Compact Motor™ electric winches are supplied with 2 x RA866000 control buttons and 2 x RD877610 1m (39") control cables.

Winches & Conversion Kits



WINCH MODEL	Compact Motor™ Above Deck Full Stainless Winches		Compact Motor™ Above Deck Winch Conversion Kits	
	12V	24V	12V	24V
Winches & Conversion Kits				
28ST	RA2028015100	RA2028015200	RA2028215100	RA2028215200
34ST	RA2034015100	RA2034015200	RA2034215100	RA2034215200
40ST	RA2040015100	RA2040015200	RA2040215100	RA2040215200
46ST	RA2046015100	RA2046015200	RA2046215100	RA2046215200
50ST	RA2050015100	RA2050015200	RA2050215100	RA2050215200
52ST	RA2052015100	RA2052015200	RA2052215100	RA2052215200
58ST	RA2058015100	RA2058015200	RA2058215100	RA2058215200
62ST	RA2062015100	RA2062015200	RA2062215100	RA2062215200
68ST	RA2068015100	RA2068015200	RA2068215100	RA2068215200
72 ST	RA2072015100	RA2072015200	RA2072215100	RA2072215200

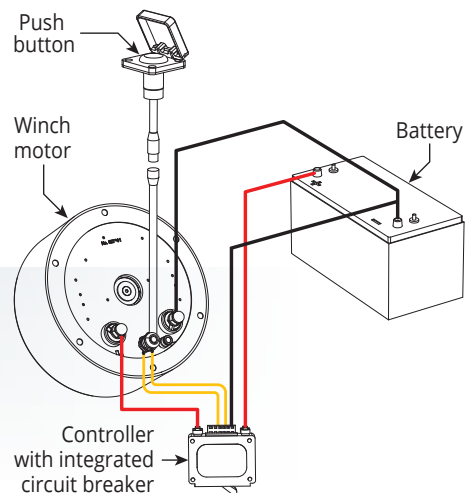
Push Buttons



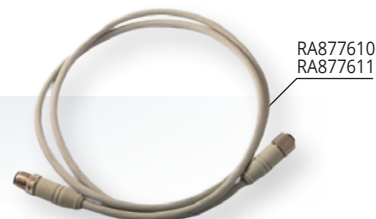
PRODUCT No.	DESCRIPTION
Push Buttons	
RA866000	Push button on/off switch, LED, plastic hinged cover, incl. 190mm (7 1/2") cable with connectors
RA866010	Push button on/off switch, LED, stainless steel hinged cover, incl. 190mm (7 1/2") cable with connectors
RA866020	Push button on/off switch, LED, stainless steel hinged cover with finger access, incl. 190mm (7 1/2") cable with connectors

✓ Rubber gasket included.

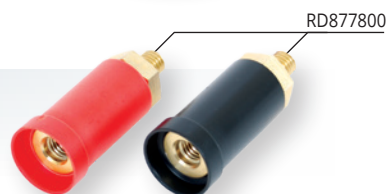
✓ Requires only 25mm (1") clearance below mounting surface.



PRODUCT No.	DESCRIPTION
Control Cables	
RD877610	Compact Motor™ control cable 1000mm (39") long
RD877611	Compact Motor™ control cable 4000mm (157") long

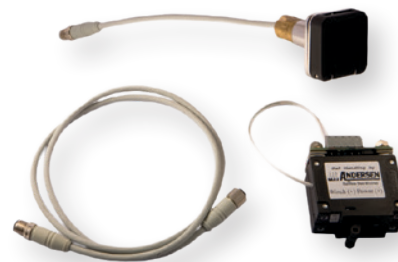
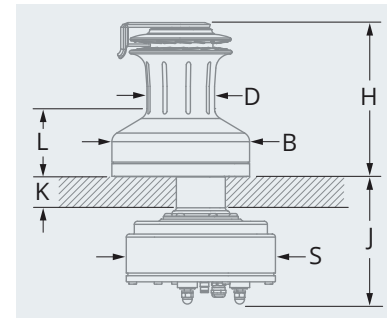


PRODUCT No.	DESCRIPTION
Power Terminal Extensions	
RD877800	Compact Motor™ power terminal extension set (1 x Red & 1 x Black) 41mm (1 5/8") long, M8





Below Deck Compact Motor™ unit



- Included with all Compact Motor™ electric winches:
- 1*2 x RA866000 push button with 190mm (7 1/2") control cable
 - 1*2 x RD877610 1m (39") control cable
 - Controller with integrated circuit breaker
 - Motor has 140mm (5 1/2") control cable included

WINCH MODEL	LINE SIZE mm	DRUM "D" mm	BASE "B" mm	HEIGHT "H" mm	LINE ENTRY "L" mm	MAX. DECK "K" mm*1	MOTOR HEIGHT "J" mm	MOTOR DIAM. "S" mm	WEIGHT kg
28ST	8 - 14	70	125	157	75	50	173	195	17
34ST	8 - 14	70	125	157	75	50	173	195	17
40ST	8 - 14	75	152	180	79	50	173	195	18
46ST	8 - 14	89	181	202	90	57	182	195	21
50ST	8 - 14	89	181	202	90	57	182	195	21
52ST	8 - 16	100	200	220	106	56	179	250	30
58ST	8 - 18	115	230	261	122	44	168	250	36
62ST	8 - 18	115	230	261	122	44	168	250	36
68ST	10 - 18	142	280	283	129	47	171	250	45
72ST	10 - 18	142	280	283	129	47	171	250	45

WINCH MODEL	LINE SIZE in	DRUM "D" in	BASE "B" in	HEIGHT "H" in	LINE ENTRY "L" in	MAX. DECK "K" in*1	MOTOR HEIGHT "J" in	MOTOR DIAM. "S" in	WEIGHT lb
28ST	5/16 - 9/16	2 3/4	4 15/16	6 3/16	2 15/16	2	6 13/16	7 11/16	37.5
34ST	5/16 - 9/16	2 3/4	4 15/16	6 3/16	2 15/16	2	6 13/16	7 11/16	37.5
40ST	5/16 - 9/16	2 15/16	6	7 1/16	3 1/8	2	6 13/16	7 11/16	39.7
46ST	5/16 - 9/16	3 1/2	7 1/8	7 15/16	3 9/16	2 1/4	7 3/16	7 11/16	46.3
50ST	5/16 - 9/16	3 1/2	7 1/8	7 15/16	3 9/16	2 1/4	7 3/16	7 11/16	46.3
52ST	5/16 - 5/8	3 15/16	7 7/8	8 11/16	4 3/16	2 3/16	7 1/16	9 7/8	66.2
58ST	5/16 - 5/8	4 1/2	9 1/16	10 1/4	4 13/16	1 3/4	6 5/8	9 7/8	79.4
62ST	5/16 - 5/8	4 1/2	9 1/16	10 1/4	4 13/16	1 3/4	6 5/8	9 7/8	79.4
68ST	13/32 - 5/8	5 5/8	11	11 3/16	5 1/16	1 7/8	6 3/4	9 7/8	99.2
72ST	13/32 - 5/8	5 5/8	11	11 3/16	5 1/16	1 7/8	6 3/4	9 7/8	99.2

*1 Extensions available to suit longer "K" dimensions.

*2 Sizes 68ST & 72ST Compact Motor™ electric winches are supplied with 2 x RA866000 control buttons and 2 x RD877610 1m (39") control cables.

Winches & Conversion Kits



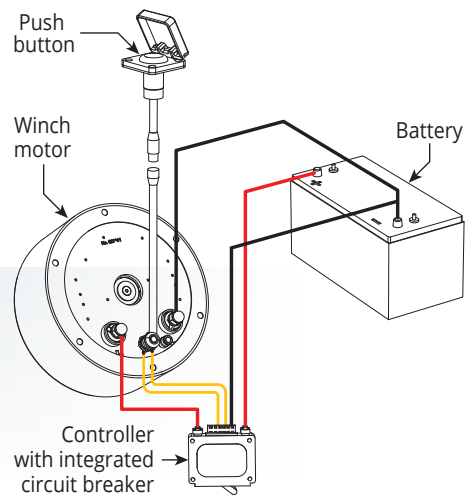
WINCH MODEL	Compact Motor™ Below Deck Full Stainless Winches		Compact Motor™ Below Deck Winch Conversion Kits	
	12V	24V	12V	24V
Winches & Conversion Kits				
28ST	RA2028014100	RA2028014200	RA2028214100	RA2028214200
34ST	RA2034014100	RA2034014200	RA2034214100	RA2034214200
40ST	RA2040014100	RA2040014200	RA2040214100	RA2040214200
46ST	RA2046014100	RA2046014200	RA2046214100	RA2046214200
50ST	RA2050014100	RA2050014200	RA2050214100	RA2050214200
52ST	RA2052014100	RA2052014200	RA2052214100	RA2052214200
58ST	RA2058014100	RA2058014200	RA2058214100	RA2058214200
62ST	RA2062014100	RA2062014200	RA2062214100	RA2062214200
68ST	RA2068014100	RA2068014200	RA2068214100	RA2068214200
72ST	RA2072014100	RA2072014200	RA2072214100	RA2072214200

Push Buttons



PRODUCT No.	DESCRIPTION
Push Buttons	
RA866000	Push button on/off switch, LED lit, plastic hinged cover, incl. 190mm (7 1/2") cable with connectors
RA866010	Push button on/off switch, LED lit, stainless steel hinged cover, incl. 190mm (7 1/2") cable with connectors

- ✓ Rubber gasket included.
- ✓ Requires only 25mm (1") clearance below mounting surface.



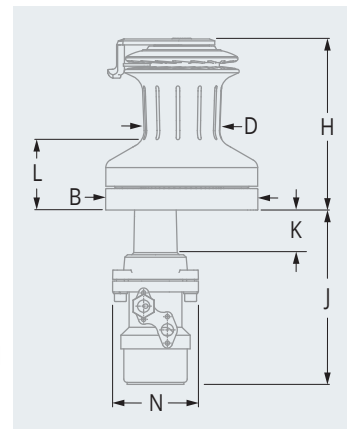
PRODUCT No.	DESCRIPTION
Control Cables	
RD877610	Compact Motor™ control cable 1000mm (39") long
RD877611	Compact Motor™ control cable 4000mm (157") long



Empowered Sailing

ANDERSEN hydraulic winches can be powered by an appropriately configured power pack which may already be installed on board for various other equipment such as furler or anchor windlass.

Fitted with industry-standard hydraulic motors, our hydraulic winches are compatible with most common types of hydraulic systems found on board today's larger yachts.



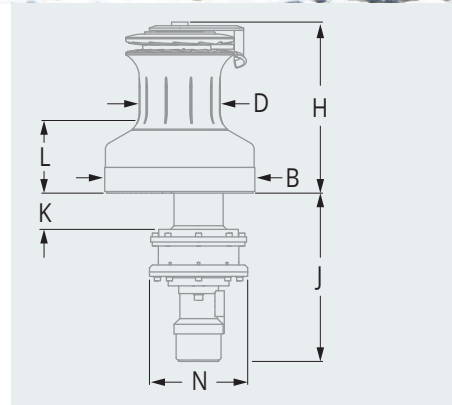
PRODUCT No.	WINCH MODEL	LINE SIZE mm	DRUM "D" mm	BASE "B" mm	HEIGHT "H" mm	LINE ENTRY "L" mm	MAX. DECK "K" mm*1	MOTOR DEPTH "J" mm	MOTOR WIDTH "N" mm	WEIGHT kg
RA2052013100	52ST	8 - 16	100	200	220	116	54	246	130	23
RA2058013100	58ST	8 - 18	115	230	251	121	54	252	130	30
RA2062013100	62ST	8 - 18	115	230	251	121	54	252	130	30
RA2068013100	68ST	10 - 18	140	280	273	130	60	232	130	41
RA2072013100	72ST	10 - 18	140	280	273	130	60	232	130	41

PRODUCT No.	WINCH MODEL	LINE SIZE in	DRUM "D" in	BASE "B" in	HEIGHT "H" in	LINE ENTRY "L" in	MAX. DECK "K" in*1	MOTOR DEPTH "J" in	MOTOR WIDTH "N" in	WEIGHT lb
RA2052013100	52ST	5/16 - 5/8	3 15/16	7 7/8	8 11/16	4 3/16	2 1/8	9 11/16	5 1/8	50.7
RA2058013100	58ST	5/16 - 5/8	4 1/2	9 1/16	9 7/8	4 3/8	2 1/8	9 29/32	5 1/8	66.1
RA2062013100	62ST	5/16 - 5/8	4 1/2	9 1/16	9 7/8	4 3/8	2 1/8	9 29/32	5 1/8	66.1
RA2068013100	68ST	3/8 - 5/8	5 1/2	11	10 3/4	4 3/4	2 3/8	9 1/8	5 1/8	90.4
RA2072013100	72ST	3/8 - 5/8	5 1/2	11	10 3/4	4 3/4	2 3/8	9 1/8	5 1/8	90.4

*1 Extensions available to suit longer "K" dimensions.



© Spirit Yachts - Carlo Borlenghi



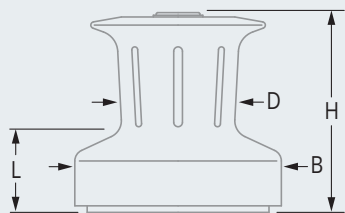
PRODUCT No.	WINCH MODEL	LINE SIZE mm	DRUM "D" mm	BASE "B" mm	HEIGHT "H" mm	LINE ENTRY "L" mm	MAX. DECK "K" mm*	MOTOR DEPTH "J" mm	MOTOR WIDTH "N" mm	WEIGHT kg
METRIC DIMENSIONS										
RA2082013200	82-3ST	12 - 18	170	318	305	170	145	350	132	50
RA2110013200	110ST	16 - 25	250	395	419	170	80	367	210	99

PRODUCT No.	WINCH MODEL	LINE SIZE in	DRUM "D" in	BASE "B" in	HEIGHT "H" in	LINE ENTRY "L" in	MAX. DECK "K" in*	MOTOR DEPTH "J" in	MOTOR WIDTH "N" in	WEIGHT lb
IMPERIAL DIMENSIONS										
RA2082013200	82-3ST	1/2 - 3/4	6 11/16	12 1/2	12	5	5 23/32	13 25/32	5 3/16	110.0
RA2110013200	110ST	5/8 - 1	9 13/16	15 9/16	16 1/2	6 11/16	3 5/32	14 7/16	8 9/32	218.2

* Extensions available to suit longer "K" dimensions.



© Maxus 26 / Sail Service



PRODUCT No.	WINCH MODEL	GEAR RATIO 1ST SPEED	GEAR RATIO 2ND SPEED	POWER RATIO 1ST SPEED	POWER RATIO 2ND SPEED	DRUM "D" mm	BASE "B" mm	HEIGHT "H" mm	LINE ENTRY "L" mm	WEIGHT kg
RA500010	10	1.0:1	-	6.5:1	-	57	92	89	28	1.1
RA500018	18	1.0:1	2.1:1	8.3:1	17.4:1	60	114	110	45	2.6
RA500028	28	1.0:1	4.0:1	7.1:1	28.6:1	70	124	126	53	3.3
RA500040	40	1.0:1	6.4:1	6.5:1	42.5:1	76	136	140	63	3.9
RA500046	46	1.0:1	6.4:1	6.4:1	45.6:1	78	143	140	63	4.0

PRODUCT No.	WINCH MODEL	GEAR RATIO 1ST SPEED	GEAR RATIO 2ND SPEED	POWER RATIO 1ST SPEED	POWER RATIO 2ND SPEED	DRUM "D" in	BASE "B" in	HEIGHT "H" in	LINE ENTRY "L" in	WEIGHT lb
RA500010	10	1.0:1	-	6.5:1	-	2 1/4	3 5/8	3 1/2	1 3/32	2.4
RA500018	18	1.0:1	2.1:1	8.3:1	17.4:1	2 3/8	4 1/2	4 11/32	1 25/32	5.7
RA500028	28	1.0:1	4.0:1	7.1:1	28.6:1	2 3/4	4 7/8	4 31/32	2 3/32	7.3
RA500040	40	1.0:1	6.4:1	6.5:1	42.5:1	3	5 11/32	5 1/2	2 15/32	8.6
RA500046	46	1.0:1	6.4:1	6.4:1	45.6:1	3 1/16	5 5/8	5 1/2	2 15/32	8.8

METRIC DIMENSIONS

IMPERIAL DIMENSIONS



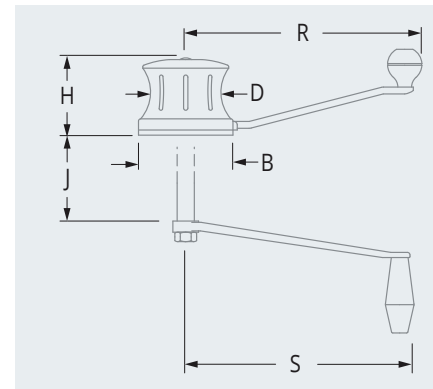
DESCRIPTION

Classic Winch Handles

RA510901	Classic winch handle to suit Model 90
RA510911	Classic winch handle to suit Model 91
RA511001	Classic winch handle to suit Model 100
RA511011	Classic winch handle to suit Model 101
RA511021	Classic winch handle to suit Model 102

✓ Andersen classic winches are used by the top match racing entries and fitted as standard equipment on a variety of classes that require simplicity combined with utmost dependability.

✓ Handles are included as shown.



PRODUCT No.	WINCH MODEL	GEAR RATIO	POWER RATIO	DRUM "D" mm	BASE "B" mm	HEIGHT "H" mm	SHAFT LENGTH "J" mm	HANDLE CLEARANCE "S" mm	HANDLE CLEARANCE "R" mm	WEIGHT kg
-------------	-------------	------------	-------------	-------------	-------------	---------------	---------------------	-------------------------	-------------------------	-----------

METRIC DIMENSIONS

RA510091	91	1.0:1	8.0:1	51	80	94	-	-	224	1.0
RA510101	101	1.0:1	5.5:1	83	111	89	-	-	275	1.5
RA510102	102	1.0:1	5.5:1	83	111	74	150	255	-	2.0
RA510103	102	1.0:1	5.5:1	83	111	74	200	255	-	2.1
RA510105	102	1.0:1	5.5:1	83	111	74	100	255	-	1.9

PRODUCT No.	WINCH MODEL	GEAR RATIO	POWER RATIO	DRUM "D" in	BASE "B" in	HEIGHT "H" in	SHAFT LENGTH "J" in	HANDLE CLEARANCE "S" in	HANDLE CLEARANCE "R" in	WEIGHT lb
-------------	-------------	------------	-------------	-------------	-------------	---------------	---------------------	-------------------------	-------------------------	-----------

IMPERIAL DIMENSIONS

RA510091	91	1.0:1	8.0:1	2	3 5/32	3 11/16	-	-	8 13/16	2.2
RA510101	101	1.0:1	5.5:1	3 9/32	4 3/8	3 1/2	-	-	10 3/16	3.3
RA510102	102	1.0:1	5.5:1	3 9/32	4 3/8	2 29/32	5 29/32	10	-	4.4
RA510103	102	1.0:1	5.5:1	3 9/32	4 3/8	2 29/32	7 7/8	10	-	4.6
RA510105	102	1.0:1	5.5:1	3 9/32	4 3/8	2 29/32	3 15/16	10	-	4.2

QUICK-LOCK™

Power, Performance & Intuitive Operation

The Ronstan Quick-Lock™ is the quickest and most user friendly winch handle available for racing and cruising sailors alike. In addition to its super fast grab-and-release mechanism for intuitive single handed removal, it is the only handle to feature the patented auto quick-locking mechanism that lets you put the handle in the winch without depressing a lever or rotating a knob – it couldn't be easier!

Quick-Lock™ automatic insertion

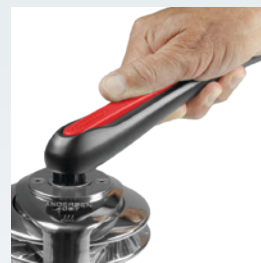
Ronstan Quick-Lock™ allows you to immediately place the drive head into the winch socket, without the need to rotate a knob or depress a button. Its stainless steel locking lever then retains the handle securely in place until you are ready to remove it.

Intuitive grab & release

The large easy to locate release button extends up the length of the handle providing intuitive grab-and-release operation. This makes the Quick-Lock™ ideal for easy one-handed use by any crew.

Power in your hands

A precision ball bearing race in the hand grip provides free rotation for high speed, or high power cranking and the refined ergonomics ensure efficient transfer of effort. 8" (200mm) models cater to situations with restricted space and 10" (250mm) handles provide greater mechanical advantage - the basis on which winch power ratios are calculated. Palm grip handles are the ultimate option where fast two-handed cranking is required.



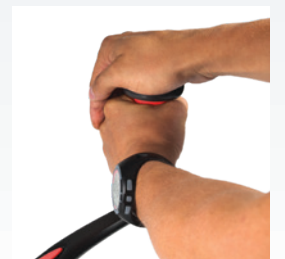
Easy, single-handed release button



Secure, auto-insert locking mechanism



Ball bearing handle for minimum friction



Palm grip models for maximum speed and power





- ✓ Patented auto lock-in latch.
- ✓ Large grab-and-release button.
- ✓ Single handed insert and release operation .
- ✓ 8" (200mm) and 10" (250mm) models.
- ✓ Standard and palm grip models.
- ✓ Ball bearing hand grips.
- ✓ Lightweight forged construction.
- ✓ Corrosion resistant hard coat anodised finish.

PRODUCT No.	GRIP	LENGTH mm	WEIGHT g	LENGTH in	WEIGHT oz
Single Grip					
RF4410	Single	200	415	8	14.6
RF4415	Single	250	450	10	15.9
Palm Grip					
RF4430	Palm	200	470	8	16.6
RF4435	Palm	250	525	10	18.5



Plastic Winch Handles

- ✓ Lightweight.
- ✓ Two-piece welded construction.
- ✓ Serviceable locking mechanism.
- ✓ Aluminium drive plug.

Stainless Steel Winch Handles

- ✓ Robust stainless steel construction.
- ✓ Stainless steel drive plug.

RF4099 Winch Handle Pocket

- ✓ Screw holes and webbing/lashing slots for mounting.
- ✓ UV stabilised.
- ✓ Strong but flexible for maximum durability.

PRODUCT No.	DESCRIPTION	LENGTH		WEIGHT	
		mm	g	mm	oz
Winch Handles					
RA507297	Stainless steel Andersen winch handle	200	400	8	14.1
RA507298	Stainless steel Andersen winch handle	250	450	10	15.9
RF4110	Plastic winch handle	200	270	8	9.5
RF4115	Plastic winch handle	250	320	10	11.3
RF4109	Locking mechanism service kit, suits plastic winch handles	-	-	-	-
Winch Handle Pockets					
RF3741	Winch handle pocket, navy polyester canvas	-	140	-	4.9
RF3841	Winch handle pocket, white PVC with mesh	-	130	-	4.6
RF4099	Winch handle pocket, PVC	-	308	-	10.9



✓ For optimum performance and long life of your Andersen winch, it should be serviced every 2 years or so, under normal use. Service kits contain the basic replacement parts for your specific winch model service.

✓ See the SUPPORT section of the www.andersenwinches.com website for further information regarding installation, use and service of current and past models of Andersen winches, including Product Manuals, Service Tips, etc.



PRODUCT No.	WINCHES SUITED	DESCRIPTION
Service Kits		
RA700020	Line Tender	Replacement pawls & springs, circlips
RA700021	52ST (v3.0 2009/later)	Replacement pawls & springs, plain bearing, ball bearings, retaining ring, screws, washers
RA710001	12ST, 28ST (10.2005/earlier), 40ST	Replacement pawls & springs, ball bearings, circlips, screws, retaining ring, locking pin
RA710002	46ST (1982 - 1993)	Replacement pawls & springs, circlip, screws
RA710003	56ST, 66ST	Replacement pawls & springs, ball bearings, circlips, screws, washers, locking pin, sealing ring
RA710004	10, 18, 28, 40, 46 Classic	Replacement pawls & springs, circlips
RA710005	56 Classic	Replacement pawls & springs, ball bearings, circlips, locking pin
RA710007	78ST (10.2005/later)	Replacement pawls & springs, O-ring, ball bearings, circlips, screws, washers
RA710008	52ST (v2.5 2009/earlier)	Replacement pawls & springs, plain bearing, ball bearings, circlips, screws, retaining ring
RA710009	110ST	Replacement pawls & springs, O-ring, ball bearings, screws, washers
RA710010	Springs for Andersen winches	Replacement pawl springs only: 10 x arm springs, 10 x spiral springs
RA710011	46ST (1993 - 1996)	Replacement pawls & springs, plain bearing, ball bearings, circlip, screws
RA710012	58ST, 62ST	Replacement pawls & springs, plain bearing, ball bearings, circlips, screws, retaining ring
RA710013	68ST, 72ST	Replacement pawls & springs, plain bearing, ball bearings, circlip, screws, retaining ring
RA710014	90, 91, 92 Classic	Replacement pawls & springs, circlip, screws, washers
RA710015	100, 101, 102 Classic	Replacement pawls & springs, circlip, screws, washers
RA710016	6 Classic	Replacement pawls & springs, screws, washers
RA710017	46ST (1997- v3.2 07.2006)	Replacement pawls & springs, plain bearing, ball bearings, circlips, screws
RA710018	12ST, 18ST, 28ST (11.2005/later), 34ST	Replacement pawls & springs, plain bearing, screws, locking pin
RA710019	46ST v.4.0 (08.2006/later), 48ST, 50ST	Replacement pawls & springs, plain bearing, circlip, screws
RA710040	82-3ST v1.0	Replacement pawls, auto-switch pawls, springs, slide plungers, disc springs
Winch Grease		
RA500001		Winch grease tube, 12-pack, including display carton
RA500001-1		Winch grease, single tube