

BILGE PUMPE

TOPLICHT Art-Nr. 1430-900

TOPLICHT Art-Nr. 1430-901



TOPLICHT

Notkestraße 97 • 22607 Hamburg



LoPro Bilge Pumps

LOW PROFILE BILGE PUMPS FOR TIGHT SPACES

900 GPH / 3407 LPH

Designed to bring pumping power to tight spaces.

Rule's LoPro Series Bilge Pumps are only 2.4" (6cm) high. The LP900S model features two automated modes. The first one engages the pump when the water level reaches 2" (5 cm) or 1.3" (3.25 cm) (user choice); and the second one checks for water by briefly turning on the pump every 2.5 minutes. The LP900D model uses a traditional float and/or panel switch for operation.

- **Multiple modes of operation.** The LP900S features two automated modes of operation.
 - **High or low water sensing mode.** The pump starts when water reaches 2" (5 cm). By turning the motor cartridge upside down, the sensor is at 1.3" (3.25 cm)
 - **Electronic automatic mode.** The pump automatically turns on every 2.5 minutes to check for water, and if it's detected the pump stays on until the water is gone.
- **Fully rotating discharge body.** The entire body swivels up to 180°, making the pump extremely easy to install.
- **Threaded discharge nozzle.** Multiple ports are available for this pump.
 - ¾" straight, ¾" right angle; 1", 1 1/8" - 19 mm, 25 mm and 28 mm
 - All ports are included in the aftermarket package
- **Backflow prevention.** New tricuspid check valves help prevent backflow.
- **Horizontal or vertical mounting.** The LP900S and LP900D feature a variety of mounting options to accommodate the boat's bilge.

www.rule-industries.com



rule
a xylem brand

Schiffsausrüster

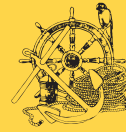
TOPLICHT

Tel.: +49 (0)40 - 88 90 100

www.toplicht.de

BILGE PUMPE

TOPLICHT Art-Nr. 1430-900
TOPLICHT Art-Nr. 1430-901



TOPLICHT

Notkestraße 97 · 22607 Hamburg

LoPro Bilge Pumps LOW PROFILE BILGE PUMPS FOR TIGHT SPACES

TOPLICHT Art-Nr. 1430-901

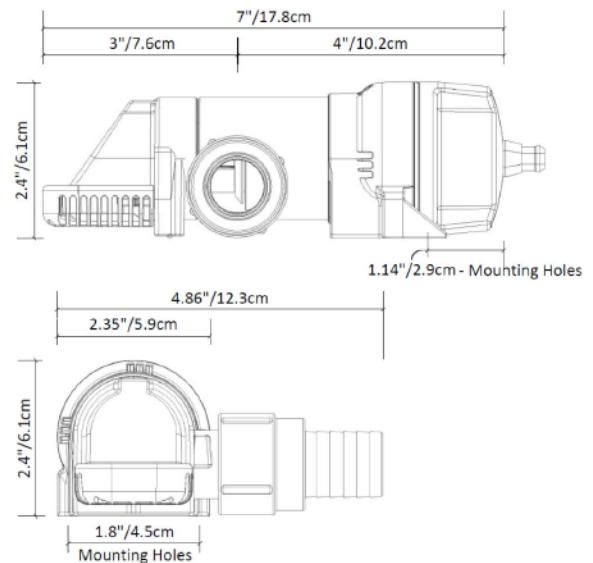
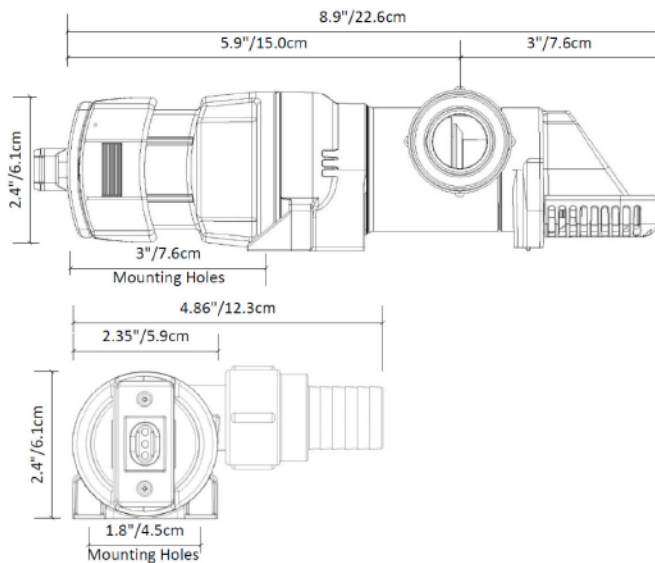
Specifications LP900S

Voltage: 12VDC
Flow: 900 GPH (3407 lph) open flow at 12V
Amp Draw: 4A approx
Protection: TCO
Port Configuration: 3/4", 1", 1 1/8" Straight, 90° 3/4"
Backflow preventer valve can be used with straight fittings
Height: 2.4" (6cm)
Length: 9.3" (23.25cm)
Width: 2.4" (6cm) with port upright
UPC: 042237-114075
Model number: LP900S

TOPLICHT Art-Nr. 1430-900

Specifications LP900D

Voltage: 12VDC
Flow: 900 GPH (3407 lph) open flow at 12V
Amp Draw: 4A approx
Protection: TCO
Port Configuration: 3/4", 1", 1 1/8" Straight, 90° 3/4"
Backflow preventer valve can be used with straight fittings
Height: 2.4" (6cm)
Length: 7.6" (23.25cm)
Width: 2.4" (6cm) with port upright
UPC: 042237-114082
Model number: LP900D



xylem
Let's Solve Water

Xylem, Inc.
USA
100 Cummings Center
Ste. 535-N
Beverly, MA 01915
Tel: +1 978 281 0440
Fax: +1 978 283 2619

Xylem, Inc.
ENGLAND
Bingley Road, Hoddesdon
Hertfordshire EN11 0BU
Tel: +44 (0) 1992 450145
Fax: +44 (0) 1992 467132

Xylem, Inc.
CHINA
30/F Tower A
100 Zunyi Road
Shanghai, China 200051
Tel: +86-21-2208-2888
Fax: +86-21-2208-2999

Xylem, Inc.
GERMANY
Oststrasse 28
22844 Norderstedt
Tel: +49-40-53 53 73-0
Fax: +49-40-53 53 73-11

Xylem, Inc.
ITALY
Via Tommaseo, 6
20059 Vimercate, Milano
Tel: +39 039 685 2323
Fax: +39 039 666 307

© 2016 Xylem Inc. All rights reserved. RULE is a trademark of Xylem Inc. or one of its subsidiaries.

R100-004 Rev. D 05/2016

Schiffsausrüster
TOPLICHT
Tel.: +49 (0)40 - 8890 100
www.toplicht.de