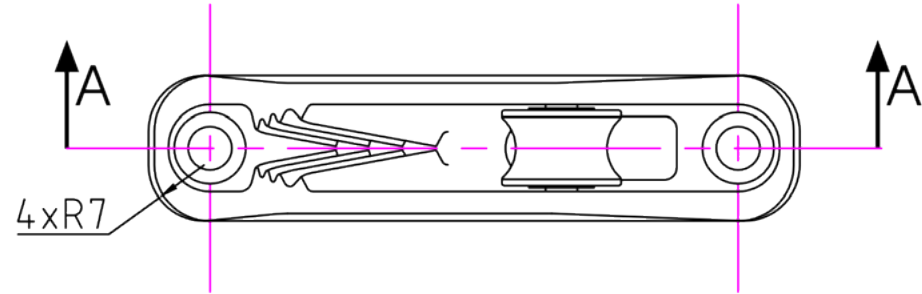
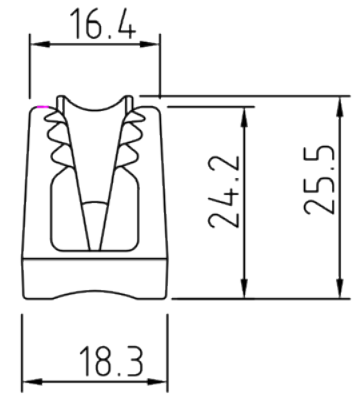
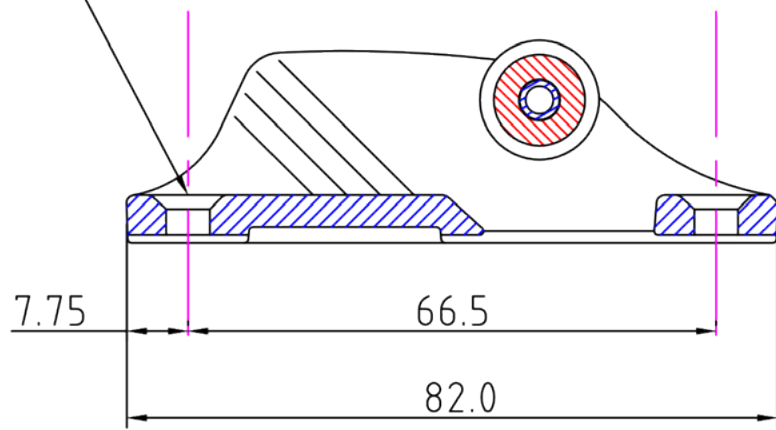
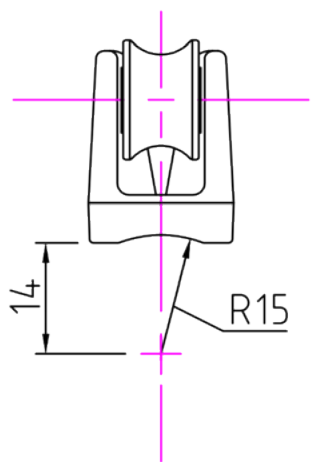


Notes: -  
 For marine applications, use a silicone sealant or a bedding compound to avoid electrolytic action between the cleat and metal fastenings.

2 Holes  $\phi$ 5.5  
 countersunk  $\phi$ 8.5x90°

Section 'AA'



**Clamcleat®**  
 Rope cleats

Clamcleats Limited  
 Watchmead  
 Welwyn Garden City  
 Hertfordshire AL7 1AP  
 England

Telephone +44 (0)1707 330101  
 Fax +44 (0)1707 321269  
<http://www.clamcleat-rope-cleats.com>

Scale 1:1  
 All dimensions in mm.

Issue: 3. May 2006  
 ID236.dwg

Material:  
 Cleat - Diecast Aluminium  
 Roller - Reinforced Nylon

Installation Drawing for:-  
**CL236**  
 Fairlead Racing Junior  
 with Roller