

LONG THREAD TAIL - 90°

Designed and made in New Zealand, Tru-Design Long Thread Tails are the superior composite connection for fitting hose to threaded fittings.



Tru-Design Tails are moulded from a glass reinforced nylon composite. High strength, high-modulus glass fibres impregnated into the nylon provides dramatic strength, stiffness, toughness, and dimensional stability.

Tru-Design Tails eliminate the corrosion and electrical bonding problems associated with metallic fittings. The Tails are designed for twin hose clamps, and to not crush under high load conditions.

MODELS

Part #	Description	TOPLICHT Art-Nr.
90517	Tail 13mm ½" BSP Long Thread 90°	6988-013
90372	Tail 19mm ¾" BSP Long Thread 90°	6988-019
90373	Tail 25mm 1" BSP Long Thread 90°	6988-025
90374	Tail 32mm 1¼" BSP Long Thread 90°	6988-032
90375	Tail 38mm 1½" BSP Long Thread 90°	6988-038
90376	Tail 50mm 2" BSP Long Thread 90°	6988-050
90529	Tail 38mm 1¼" BSP Long Thread 90°	6988-132



KEY FEATURES

Feature :	
Manufactured from a glass reinforced nylon composite	High strength and light weight.
Compatible with all hull types	Can be used on aluminum, steel, wood or FRP hulls.
Immune to corrosion and electrolysis	Long life with no concerns over decreased performance due to corrosion.
Chemical resistant	Impervious to diesel, petrol and antifouling paints.
UV resistant	These fittings will not break down with ultraviolet light or discolour from the sun.
High quality surface finish	Will not discolour with green film as similar bronze fittings do.
Fits Tru-Design Ball Valves & BSPP threads	Universal compatibility to other Tru-Design fittings, and other marine components.
Large operating temperature range	Suitable for all marine environments, from -40°C to +110°C.

SPECIFICATIONS

The connecting threads on the Tails are BSP (British Standard Pipe) and are parallel. These parallel threads are designed so that thread tape is wound onto the tail then screwed into place. The advantage of parallel threads rather than tapered is that there is maximum engagement between the mating threads providing a strong and watertight seal.

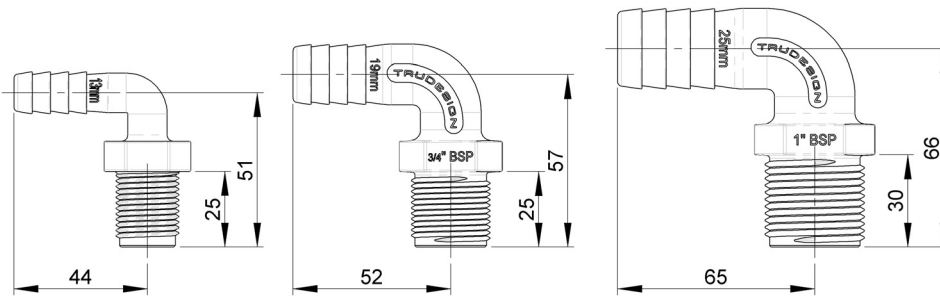
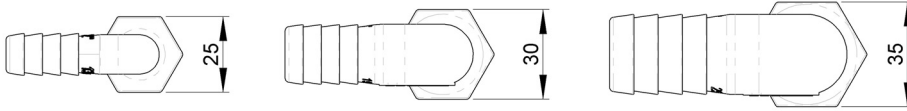
Mixing parallel and tapered threads can cause strength and sealing problems as the engagement can frequently be only a few turns.

FLOW DIAMETER & THREAD LENGTH

Tail Size	Thread Size	Minimum I.D.	Thread Length
13mm	½"	8mm	25mm
19mm	¾"	13mm	25mm
25mm	1"	19mm	30mm
32mm	1¼"	25mm	30mm
38mm	1½"	30mm	30mm
50mm	2"	42mm	30mm
38mm	1¼"	30mm	30mm

DIMENSIONS

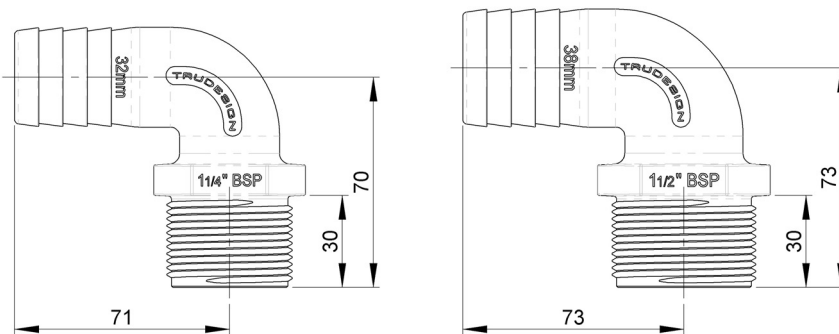
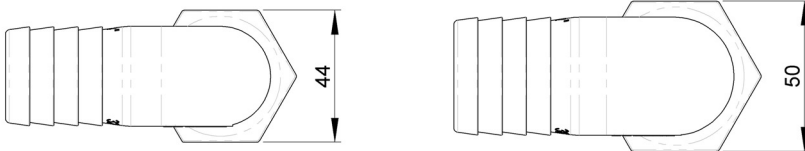
All dimensions in mm.
All dimensions nominal.



13mm
1/2"

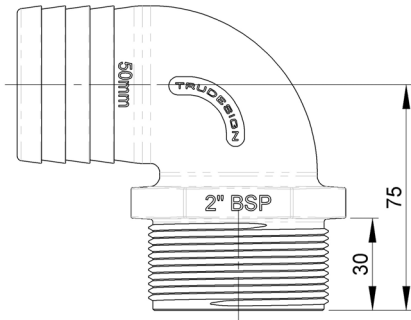
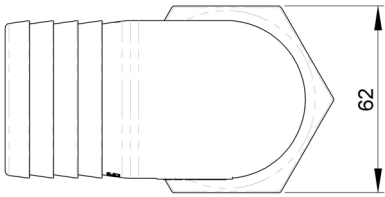
19mm
3/4"

25mm
1"

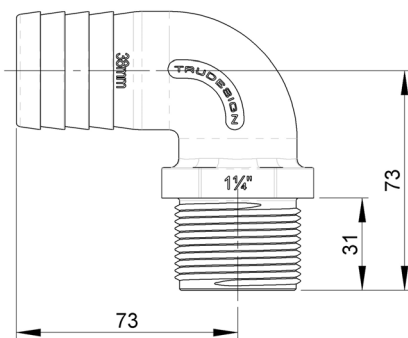
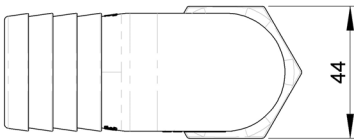


32mm
1 1/4"

38mm
1 1/2"



50mm
2"



38mm
1 1/4"

INSTALLATION

Ensure the fitting that the Tail is to fit into has clean and undamaged threads.

Wind 8-12 turns of thread tape onto the thread (clockwise when looking at bottom of thread).

Wind Tail into the fitting taking care not to cross thread. Wind the thread fully home using a large crescent or open ended spanner. Tighten to a maximum of 16Nm (12ft/lbs).

Fit the hose using hot water to soften.

Apply twin hose clamps for a secure connection.

Note: Do not use with tapered thread valves or fittings.

The thread type on all Tru-Design Tails is a British Standard Pipe Parallel thread (BSPP). The thread is a mechanical fastening with sealing provided by thread tape. This method gives a secure mechanical joint between Tail and connected components. A tapered thread cannot provide this strong connection. Mixing tapered and parallel threads can result in damage to either of the components.

Note: There is no need to tie Tru-Design Tails electrically together as there are no corrosion or electrolysis problems as can be experienced when using bronze fittings.

SERVICING

As composite Tails are immune to corrosion, minimal servicing is required.

Tails should be checked for secure fitting into other fittings at regular intervals. Hose clamps should be checked regularly.

If fittings are removed, the old thread tape should be removed and replaced.