



BREMEN



Dimensions in: mm/inch

Bremen

Approved searchlight with morse capability – Two mounting brackets available

Housing

Rubber black, impact and shock resistant, non-corrosive, non-magnetic

Protection degree

IP 68

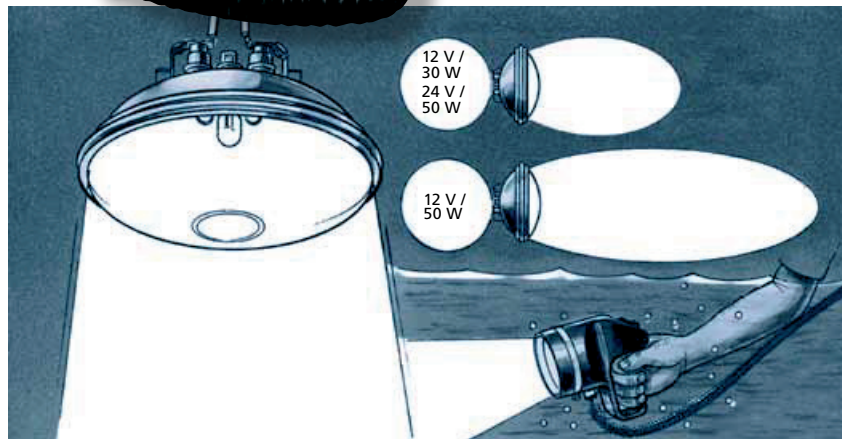
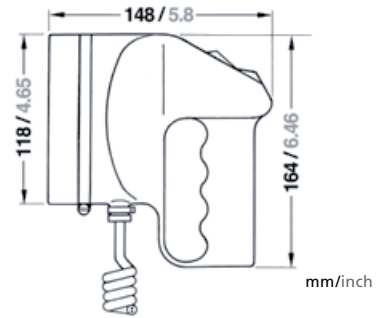
Electric

On / off switch, morse, cable 3 m (2 x 0,75 mm²), bulb included

Extras

Delivery without brackets, two mounting brackets and plug-in connection available, see drawing

1

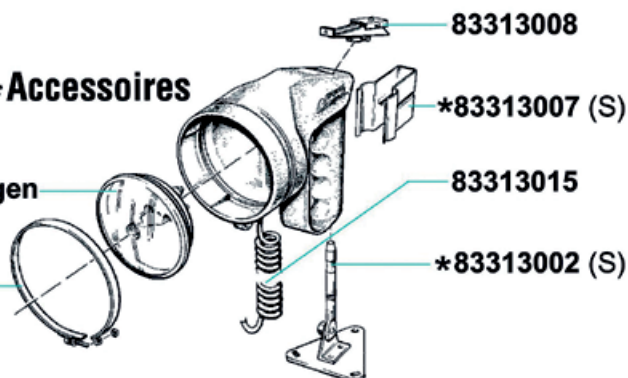


No.	Description	Wattage	Housing colour	TOPLICHT Art-Nr. 12V	TOPLICHT Art-Nr. 24V
1	Searchlight	30 W	Black		
	Searchlight	50 W Halogen	Black	3300-012	
	Searchlight	50 W	Black		3300-024

Spare Parts /*Extras Ersatzteile /*Zubehör Pièces de rechange /*Accessoires

90400175 12V/30W
 90400228 12V/50W Halogen
 90400202 24V/50W

83313004



3313003000

Bremen

BREMEN HANDSCHEINW. 24V50W

EAN-nr: 4036538149788

Stock code: A



Bremen is an approved, watertight and portable searchlight with an optional morse capability. Two mounting brackets are available. This series is available for all markets worldwide.



Technical data	
IP classification	68
Dimensions	
Net weight (kg)	0,8
Gross weight (kg)	0,916
Body	
Colour of body	Black
Body material	Rubber
Optic	
Material of diffuser	Glass

Electrical data	
Minimum Voltage -10% (V)	24
Maximum voltage +10% (V)	24
Light data	
Number of lamps	1
Lamp power (W)	50
Light source	PAR36
Termination	
Cable length (m)	3
Remarks	

Approvals: Approved as portable searchlights for lifeboats as per SOLAS by UK DOT and Dutch NSI The housing is: shock resistant, non-corrosive, nonmagnetic Built-in watertight on/off switch with morse facility, 3m pigtail cable (drawn) 2x0.7

3313003000

Bremen

Drawings

*Accessories / Zubehör

