

ROCA-Scheibenwischermotor W12

ROCA Scheibenwischermotoren und -mechaniken sind leistungsstark und qualitativ hochwertig.



Leistungsstarker Scheibenwischermotor mit 12 Nm Drehmoment, spritzwassergeschützt nach IP65, 2 Geschwindigkeitsstufen, Wischwinkel stufenlos einstellbar von 45° bis 110°.

Für Einfach-Wischerarme Typ W12.

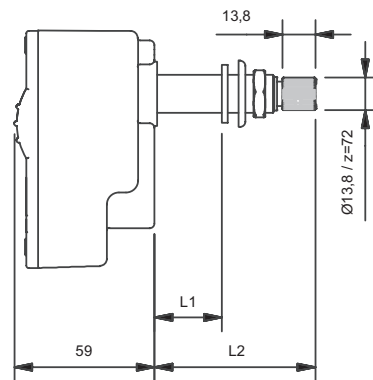
Motorabmessungen: 170 x 100 x 59 mm, wahlweise für Wandstärken von 16 oder 42 mm.

Verschiedene Wischerarme und Wischerblätter aus schwarz lackiertem Edelstahl sind lieferbar.

Die stufenlos einstellbaren Wischwinkel 45° bis 110° sorgen für eine maximale Sicht. Die automatische Rückstellung in Parkposition kann sowohl links als auch rechts problemlos eingestellt werden.

Lieferung erfolgt in 12 V oder 24 V.

- 2 Geschwindigkeitsstufen
- Automatische Rückstellung in Parklage
- Leistungsstarker Wischermotor 12Nm
- Wischerachse aus rostfreiem Stahl
- Verschieden einstellbare Wischwinkel von 45 - 110°
- CE geprüft
- IP65
- Isolierter Motor, für alle Bootsarten geeignet (Stahl, Alu, Holz)
- Max. Wischerarmlänge bis zu 610 mm, Wischblattlänge bis zu 560 mm



Artikelnr.	TOPLICHT Art-Nr.	Farbe	L1 = mm	L2 = mm	Volt
533011	3331-411	Weiß	16/0.63"	42/1.65"	12 V
533021	3331-412	Weiß	42/1.65"	68/2.68"	12 V
533012	3331-423	Weiß	16/0.63"	42/1.65"	24 V
533022	3331-424	Weiß	42/1.65"	68/2.68"	24 V

TOPLICHT 28.Juni 2017

Schiffsausrüster
TOPLICHT

Tel.: +49 (0)40 - 88 90 100
www.toplicht.de



ROCA®

WIPER MOTOR | W12

Installation Instructions

Before installation please read these instructions.



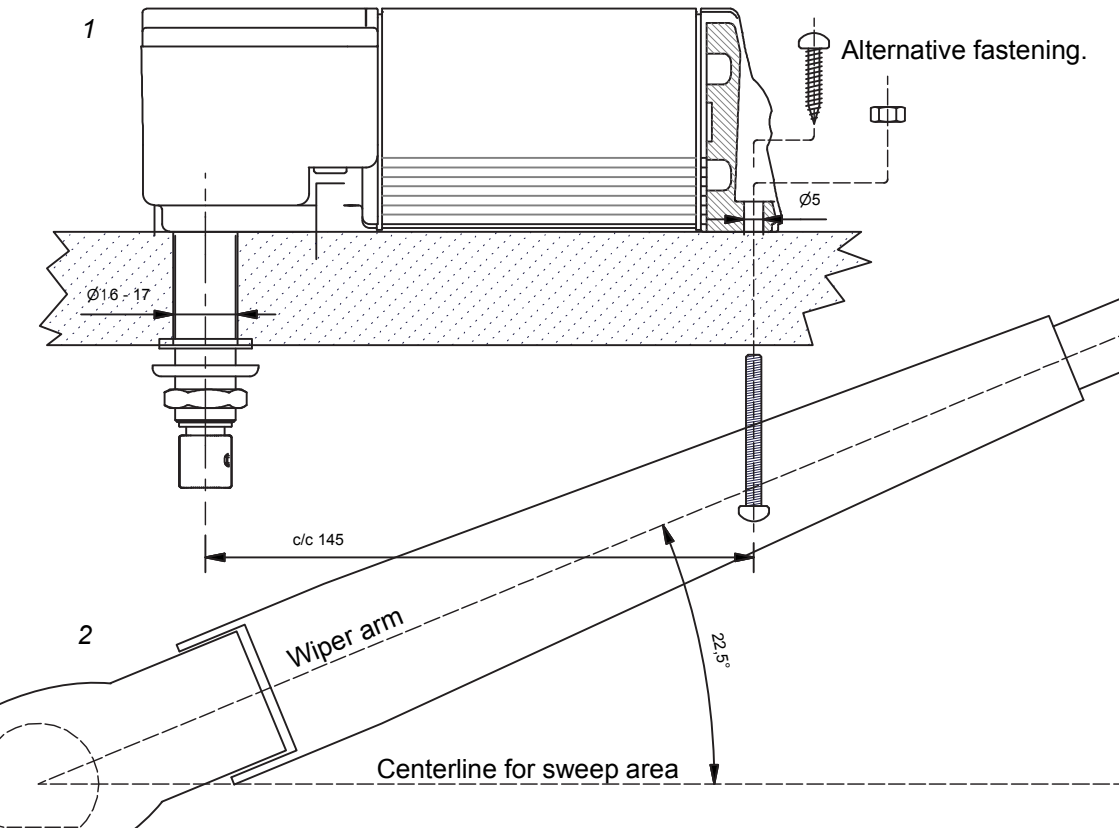
- 2 Speed, self-parking
- Torque 12Nm
- Wiper shaft in stainless steel
- Adjustable sweep angle: 45 - 110°
- Changeable self-parking, right and left position.
- Insulated ground.
- EMC protected
- IP65
- Powers up to 610mm/560mm - Arm/blade combinations

Mounting instructions W12 - wiper motor

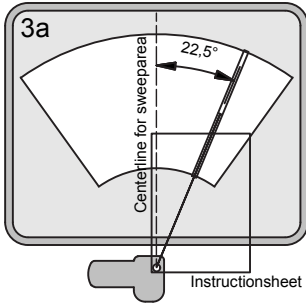
(Keep battery main switch turned off during operation inside of the wiper motor)

1. Remove cover with enclosed torx key.
2. Locate the mounting position and using the template provided on box, drill mounting holes and mount motor to the surface. See picture 1.
3. The motor is pre-set to 45° sweep and right parking position.
4. Attache the wiper arm with help of template on instruction sheet. See picture 2 and 3.
Don't mix up the centerline of the sweep area with centerline of the windshield.
Centre line is needed to find the right position of arm on the windshield.
Find the centerline of the sweep area.
5. Loosen the two screws on the angle plate. See picture 5. Move the arm to desired end position of sweep area. See picture 4. Tighten the two screws firmly, 3 to 3,5Nm.
6. To set the self-parking feature to park in the left position use the enclosed torx key and turn the parking selector clockwise. See picture 5.
7. Connect wires as shown in picture 6.
If using Roca switch 466099/466208 use 6a. For all other switches use 6b.
Use a 5 Amp fuse for 12 V. and 3 Amp for 24 V. Type - fast blow.
8. Make sure the gasket is in right position and replace the cover on the motor with the screws taken out.

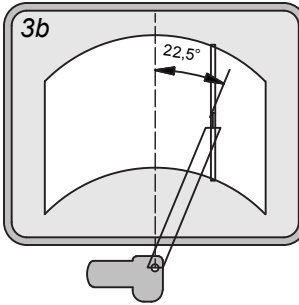
Note: If the arm sweeps too far out on both sides, the sweep angle needs to be reduced, repeat point 5 above. If the arm goes too far on one side only then you didn't start with the arm in center of the sweep. Remove the arm and place it at the correct position.



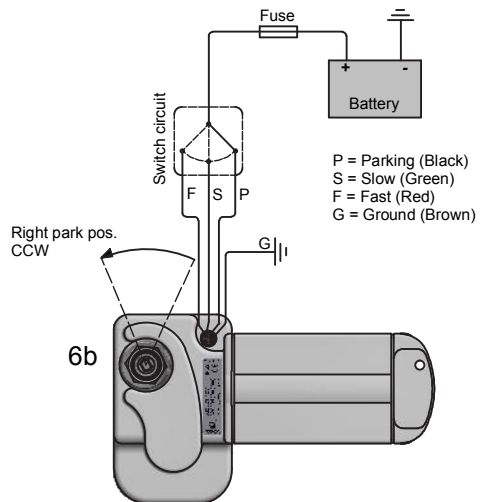
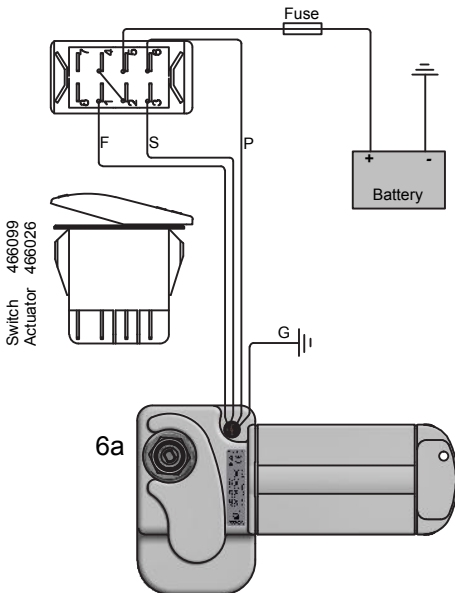
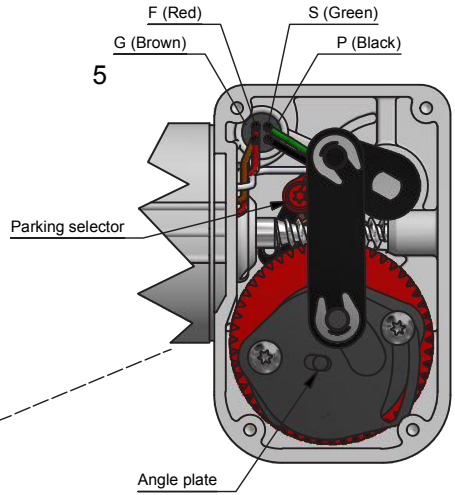
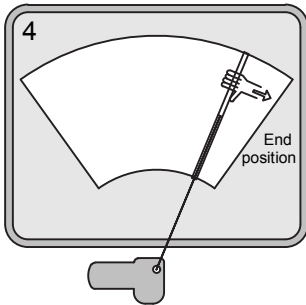
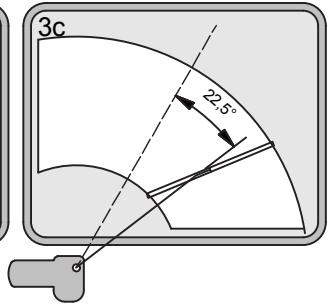
Standard arm

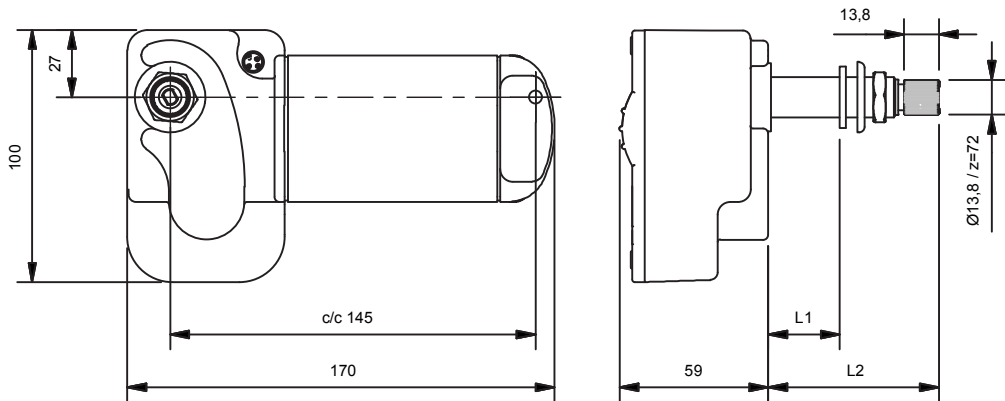


Pantograph arm



Arm with adjustable tip





Variations:

Max length:		Voltage input:	
L1	L2	12 V	24 V
16	43	533011	533012
42	68	533021	533022
68	94	533031	533032

Current diagram:	12 V	24 V
No load	< 2 A	< 1 A
Rated	< 4 A	< 2 A
Stall	< 9 A	< 4,5 A
Fuse (Fast blow)	5 A	3 A
Speed no load	(35 / 55 RPM)	

Limited warranty

- » Roca warrants the wiper motors to be free from defective material and workmanship for a period of 3 years from the date of purchase.
- » This warranty does not apply to failure or damage caused by improper installation, misuse, lightning strike or damage from a power surge.
- » If failure occurs during this period, return it to your dealer for repair or replacement.

Accessories



Wiper arm - Std



Wiper arm - Adjustable tip



Wiper arm - Pantograph



Wiper blade



Wiper control