

TOPLICHT Art-Nr. 1768-025

Modell 12760

Diaphragm pump 12760

Moulded in highly resistant plastic; all metal parts in stainless steel. Easily removable diaphragm. Multi-mounting position bilge pump.

Up to 8 possible mounting positions.

Horizontal or vertical mounting.

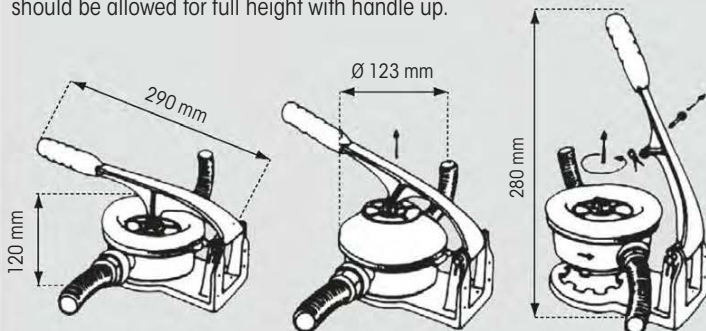
Pump comes complete with 2 outlets Ø 25 mm.

- Output : 0.5 L, per stroke, at 1 m height.
- Maximum lift : 3 m.
- Weight : 0.500 kg.
- Hose diameter : 25 mm.

**MADE BY
PLASTIMO**



To have access to the pump chamber, pull handle in upright position. Remove the pin which secures the handle onto the diaphragm and turn the pump body anti-clockwise until free. When mounting the pump, clearance should be allowed for full height with handle up.



Options & spare parts

- 25 m hose Ø 25 mm : 16209
- Repair kit (diaphragm + valves) : 16218
- Outlet for hose Ø 25 mm : 16220
- Spare diaphragm : 16219
- Spare handle : 16221