



## MODEL 7168 RUDDER ANGLE FEEDBACK UNIT

It is used to relay rudder angle positions to an autopilot, angle indicator or to electronic steering components.

This small version of a rudder angle feedback unit with its all bronze and stainless steel construction is available with one or two potentiometers.

Its compact design and watertight construction will allow it to be installed in tight quarters. Because of the non-corrosive construction, it

is well suitable for operation in a saltwater environment.

### Ordering Information

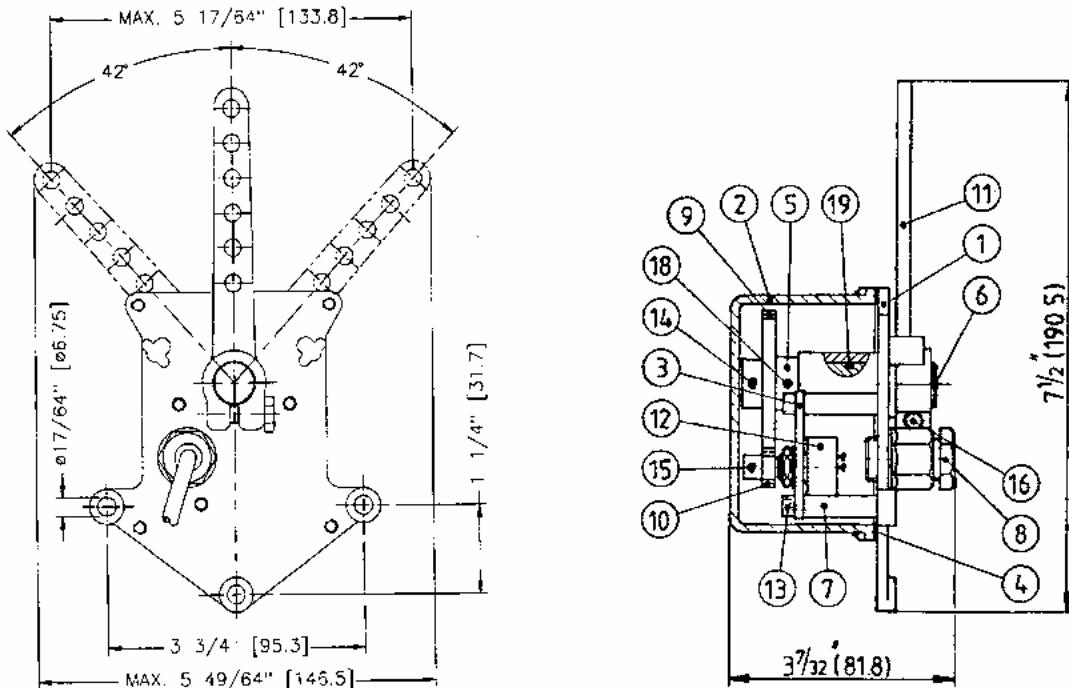
7168-P      1 Potentiometer  
7168-PP     2 Potentiometers

Standard potentiometer is 1K

Weight: 2.2 lb. (1 kg)

3 pillars also available.

## DIMENSIONS AND PARTS MODEL 7168



All dimensions in inches (mm)

ITEM	QTY	PART NUMBER	DESCRIPTION
1	1	7168-0001	Frame
2	1	7168-0002	cover
3	1	7168-0003	Plate
4	1	7168-0004	Gasket
5	1	7168-0005	Bushing
6	1	7168-0006	Shaft
7	3	7174-0008	Spacer
8	1	6001-0248	Gland
9	1	YPB-3264	Spur Gear
10	1	Y-3216	Gear
11	1	2104-0006	Lever
12	1	POT-1	Potentiometer – 1K
13	3	1002-0822	Hex Socket Hd Cap Screw
14	1	1016-0804	Hex Socket Set Screw
15	1	1016-0602	Hex Socket Set Screw
16	1	1001-0814	Hex Hd Cap Screw
17	4	1010-0806	Round Hd Philips Screw
18	2	1024-0512	Spring Pin
19	1	1101-0014	"O" Ring