

Kugelhahn Rotguss (Bronze)

Marken-Kugelhahn aus der seawasserbeständigen Bronzelegierung CB491K (Rotguss) mit vollem Durchgang. Beidseits Innengewinde nach ISO 228/1, die Kugel ist aus hartverchromtem Messing CW617N mit Dichtschalen aus PTFE. Der Hebel aus Stahl mit spezieller GEOMET-Korrosionsbeschichtung und rotem PVC-Überzug, Arbeits-Nennndruck PN40.

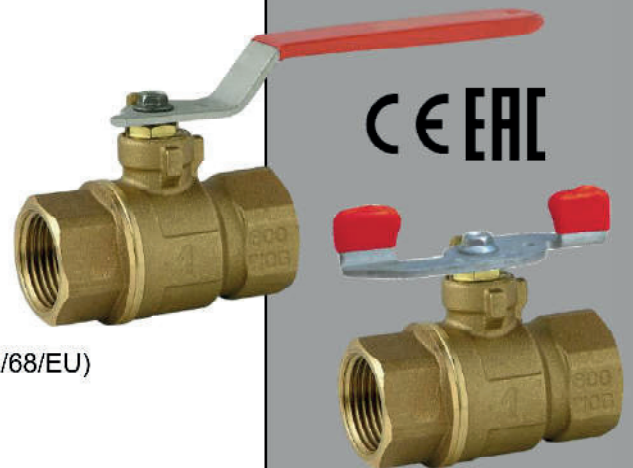
TOPLICHT Art-Nr.	Nenngröße Zoll	Baulänge mm	Gewicht
1955-010	3/8"	45	130g
1955-013	1/2"	55	250g
1955-019	3/4"	67	350g
1955-025	1"	77	550g
1955-032	1 1/4"	90	890g
1955-038	1 1/2"	102	1400g
1955-050	2"	120	1750g
1955-064	2 1/2"	140	3550g
1955-075	3"	175	5580g
1955-099	4"	185	8600g

Full bore bronze ball valve
 Threaded F/F (ISO 228/1)
 (available on request with ASME B1.20.1 NPT threads)
 Design according to MSS-SP110
 Air testing according to EN12266-1
 Blow-out proof stem, adjustable packing
 With handle or butterfly (up to DN≤50)
 CE and TR CU 010 compliant

PN40 for DN≤50 (Max 40bar up to 95°C, max 10bar at 185°C)
 PN25 for DN≥65 (Max 25bar up to 95°C, max 10bar at 185°C)
 Free of CE marking for DN≤32 (cat. according to Art. 4.3 Dir. 2014/68/EU)

Working conditions

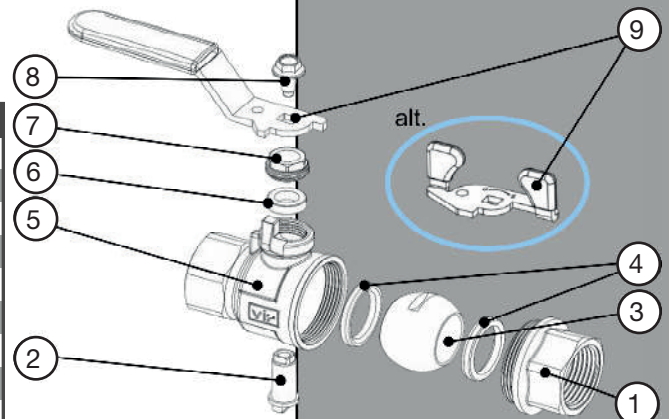
- Suitable for: water, 0°C to +185°C;
- Suitable for: air, -10°C to +185°C
- Not suitable for: gases and liquids group 1 (Dir. 2014/68/UE)



PARTLIST

N.	Part	Material	Norm
1	Fixed End	Bronze	EN1982 CB491K
2	Stem	Brass	EN12164 CW617N
3	Ball	Chromium pl. Brass	EN12165 CW617N
4	Seat	PTFE	-
5	Body	Bronze	EN1982 CB491K
6	Packing ring	PTFE	-
7	Packing nut	Brass	EN12164 CW617N
8	Screw	Geomet steel	EN10025 Fe42
9	Handle	Geomet steel ¹	EN10025 Fe P11
9 _{alt.}	Butterfly	Geomet steel ¹	EN10025 Fe P11

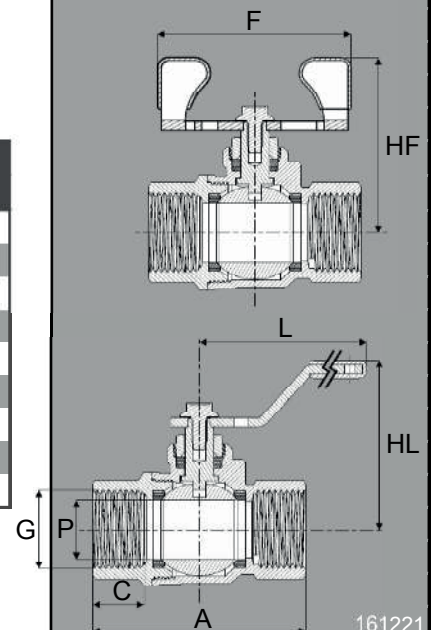
¹With red PVC cover



DIMENSIONS

DN	G	A	C	P	HL	L	HF	F	K _v	Weight
		[mm]	[mm]	[mm]	[mm]	[mm]	[mm]	[mm]	[m ³ /h]	[g]
010	3/8"	46	12,5	10	39	81,0	45	52	5,8	139 / 132 ¹
015	1/2"	57	15,5	15	54	91,5	54	62	15,7	259 / 246 ¹
020	3/4"	67	16,5	20	58	91,5	58	62	30,8	364 / 351 ¹
025	1"	77	19,5	25	65	126,5	69	83	49,3	597 / 573 ¹
032	1 1/4"	91	21,5	32	71	126,5	75	83	79,0	926 / 902 ¹
040	1 1/2"	103	21,5	40	83	141,5	93	110	125,3	1414 / 1386 ¹
050	2"	122	25,0	50	91	141,5	101	110	224,2	2102 / 2074 ¹
065	2 1/2"	153	30,0	65	119	281,3	-	-	330,2	4366
080	3"	179	34,0	80	131	281,3	-	-	419,4	6200

¹Weight for lever handle version / weight for butterfly handle version



161221