

SKIN FITTINGS WITH TAIL

Designed and made in New Zealand, Tru-Design Skin Fittings with Tail are the superior composite thru-hull solution.



The Skin Fitting with Tail body and nut are moulded from glass fibre reinforced nylon composite. High strength, high-modulus glass fibres impregnated into the nylon provide dramatic strength, stiffness, toughness and dimensional stability. These properties allow a significant weight reduction over metallic fittings.

Tru-Design Skin Fittings with Tail eliminate the corrosion and electrical bonding problems associated with metallic fittings.

Our Skin Fittings with Tail meet ISO International Standards giving added assurance of performance in the harsh marine environment.

MODELS

Part #	Description
90426	Skin Fitting Tail 13mm ½" BSP White
90427	Skin Fitting Tail 19mm ¾" BSP White
90430	Skin Fitting Tail 25mm 1" BSP White
90433	Skin Fitting Tail 32mm 1¼" BSP White
90434	Skin Fitting Tail 38mm 1½" BSP White
90435	Skin Fitting Tail 50mm 2" BSP White

90522	Skin Fitting Tail 13mm ½" BSP Black
90523	Skin Fitting Tail 19mm ¾" BSP Black
90524	Skin Fitting Tail 25mm 1" BSP Black
90526	Skin Fitting Tail 32mm 1¼" BSP Black
90527	Skin Fitting Tail 38mm 1½" BSP Black
90528	Skin Fitting Tail 50mm 2" BSP Black

90436	Skin Fitting Tail 28mm 1" BSP White
90525	Skin Fitting Tail 28mm 1" BSP Black
90810	Skin Fitting Tail 16mm 1" BSP White
90811	Skin Fitting Tail 16mm 1" BSP Black



Doc: PIS - Skin Fittings with Tail 3.2.doc

STANDARDS

Tru Design Skin Fittings with tail are certified by the International Marine Certification Institute (IMCI) to meet;

ISO 9093-2 Small craft -- Seacocks and through-hull fittings -- Part 2: Non-metallic

*Note – ½” Skin Fittings do not meet ISO 9093-2



In meeting ISO 9093-2, our Skin Fittings with Tail have been tested with a 155kg load hanging from the Tail (Skin Fitting test shown).

KEY FEATURES

Feature :	
Manufactured from a glass reinforced nylon composite	High strength and light weight.
Compatible with all hull types	Can be used on aluminum, steel, wood or GRP hulls.
Immune to corrosion and electrolysis	Long life with no concerns over decreased performance due to corrosion.
Chemical resistant	Impervious to diesel, petrol and antifouling paints.
UV resistant	These fittings will not break down with ultraviolet light or discolour from the sun.
High quality surface finish	Will not discolour with green film as similar bronze fittings do.
Paintable	Can be painted with all types of antifouling. Antifouling paint stays adhered to the skin fitting, alleviating the chore of grinding and cleaning back flaked paint from bronze fittings before applying antifouling.
Long Tail	Hose can be fitted with 2 hose clamps for a secure connection.
Large operating temperature range	Suitable for all marine environments, from -20°C to +110°C.
Supplied in individual plastic bags with header card and information sheet	Header card states IMCI Certification, size of hose tail and comes with instructions in the bag as per IMCI regulations.

SPECIFICATIONS

HULL COMPATIBILITY

The Tru-Design Skin Fittings with Tail are suitable for installation in all types of hull construction; steel, aluminium, fibreglass - cored and solid, wooden sandwich.

Tru-Design Skin Fittings with Tail are also able to be used on caulked solid wood hulls – care should be taken to only locate the skin fitting in the centre of any individual plank.

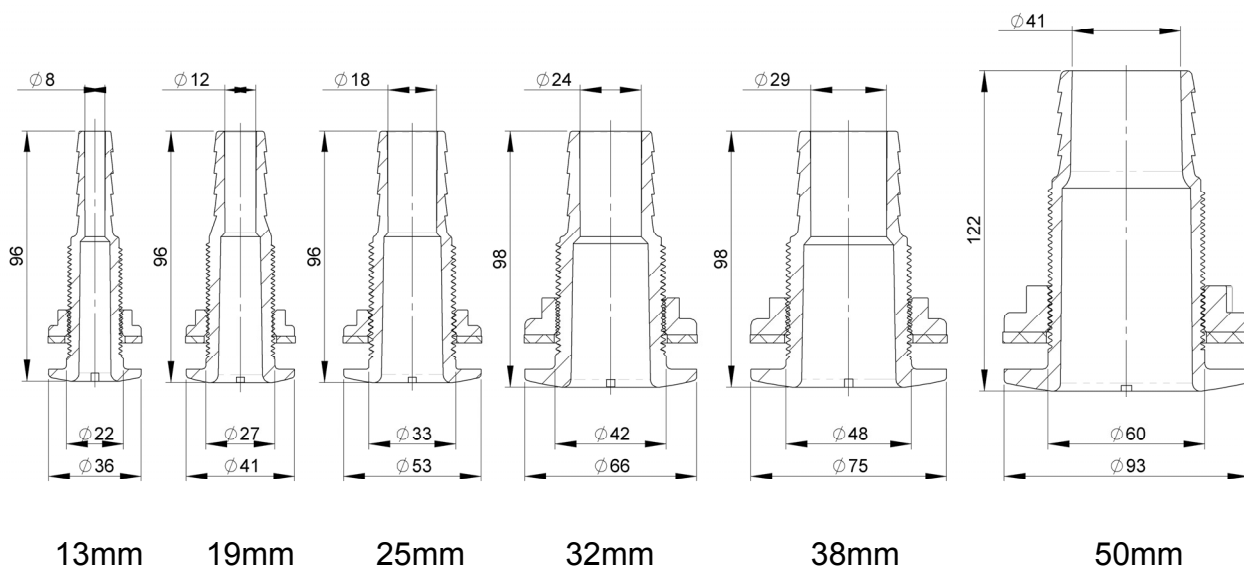
FLOW DIAMETER & HULL THICKNESS

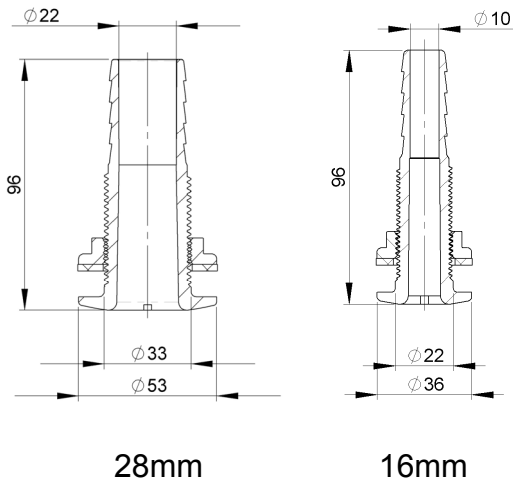
Tail Size	Minimum I.D.	Maximum Hull Thickness
13mm	8mm	30mm
19mm	12mm	30mm
25mm	18mm	30mm
32mm	24mm	30mm
38mm	29mm	30mm
50mm	41mm	45mm

28mm	22mm	30mm
16mm	10mm	30mm

DIMENSIONS

All dimensions in mm.
All dimensions nominal.





INSTALLATION

Full installation instructions are supplied with the Skin Fitting with Tail.

It is recommended that all Skin Fittings with Tail are placed in a protected location to minimize the chance of inadvertent damage.

A packer may be required to provide a flat surface on the inside of the hull.

Note: Skin Fittings with Tail are not recommended for below water applications. A Skin Fitting with Ball Valve attached, or a Seacock is recommended for all below water use.

Dual hose clamps should be fitted to ensure the hose does not become disengaged from the tail.

Note: There is no need to tie Tru-Design Skin Fittings with Tail electrically together as there are no corrosion or electrolysis problems as can be experienced when using bronze fittings.

SERVICING

As composite Skin Fittings with Tail are immune to corrosion, minimal servicing is required.

Skin fittings with Tail should be checked for secure fitting into the hull and to the hose at regular intervals. When performing maintenance, the exterior of the fitting should be checked for damage.

Tru-Design Plastics Ltd. accepts no responsibility for Products which are improperly installed or tampered with. Although the information presented in this product information sheet is believed to be accurate and reliable, no responsibility for inaccuracies can be assumed by Tru-Design Plastics Ltd. This performance data is typical only and variations due to component manufacturing tolerances are normal. Tru-Design Plastics Ltd. reserves the right at any time to change performance characteristics or specifications without prior notice.
Tru-Design Plastics Ltd, all rights reserved.