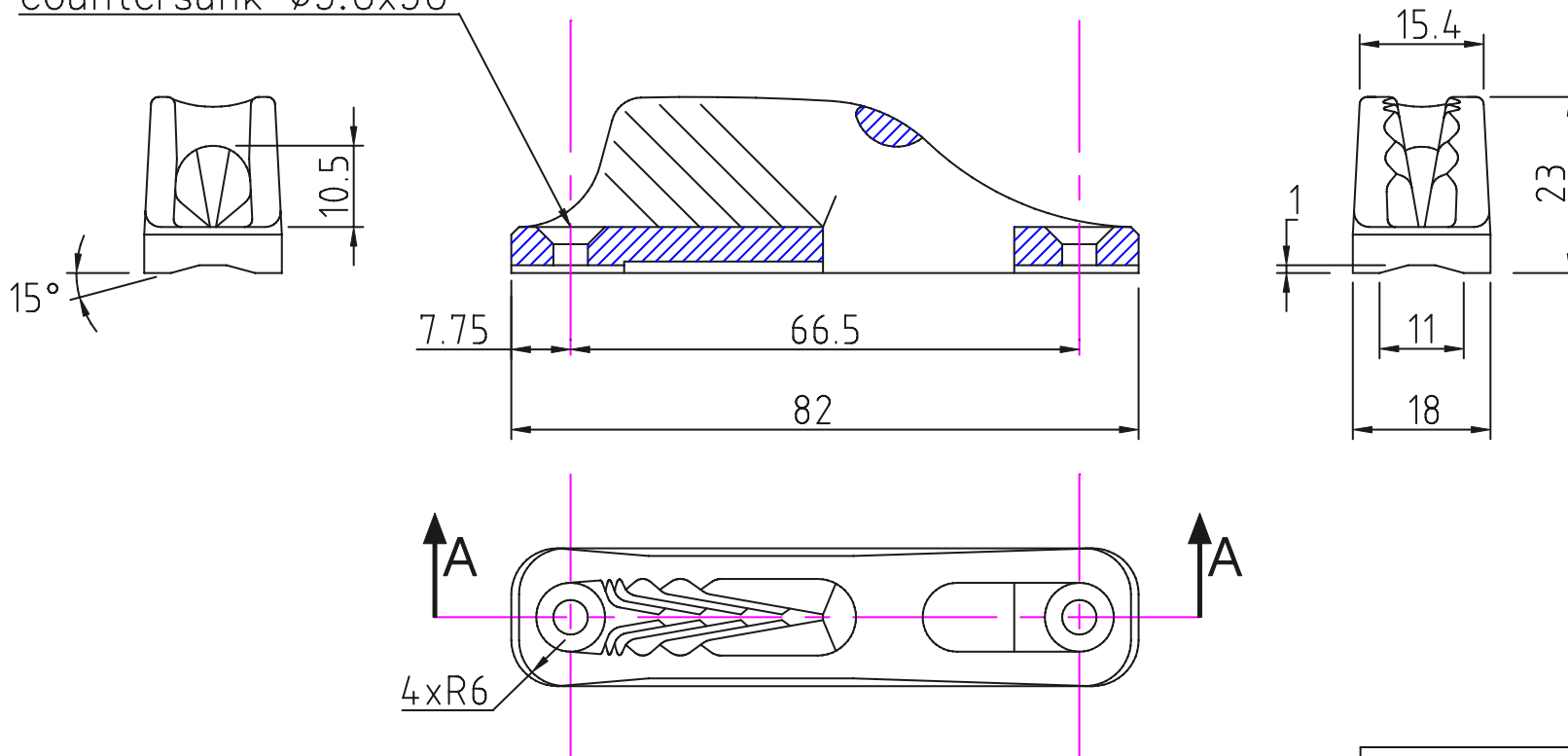


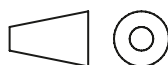
M4 4/4.2mm  $\varnothing 3 - 6$ mm  
 #8 (5/32") No. 8 1/8" - 1/4"

2 Holes  $\varnothing 4.5$   
 countersunk  $\varnothing 9.0 \times 90^\circ$

Section 'AA'

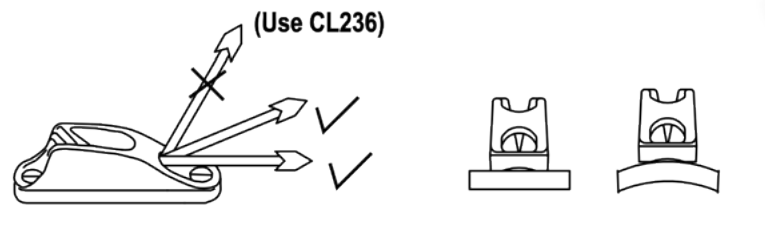
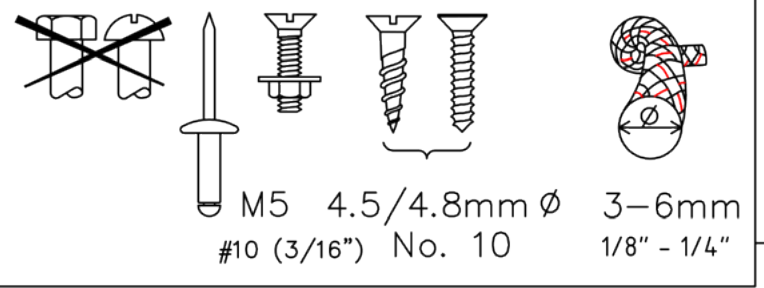


Clamcleats Limited  
 Watchmead  
 Welwyn Garden City  
 Hertfordshire AL7 1AP  
 England  
 Telephone +44 (0)1707 330101  
 Fax +44 (0)1707 321269  
 http://www.clamcleat-rope-cleats.com



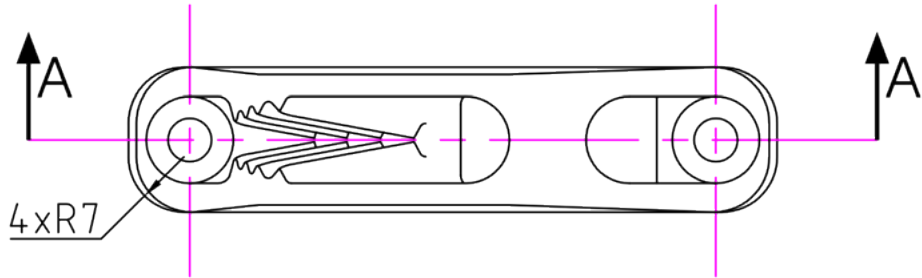
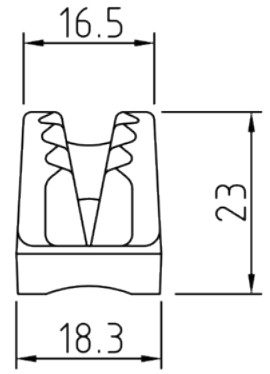
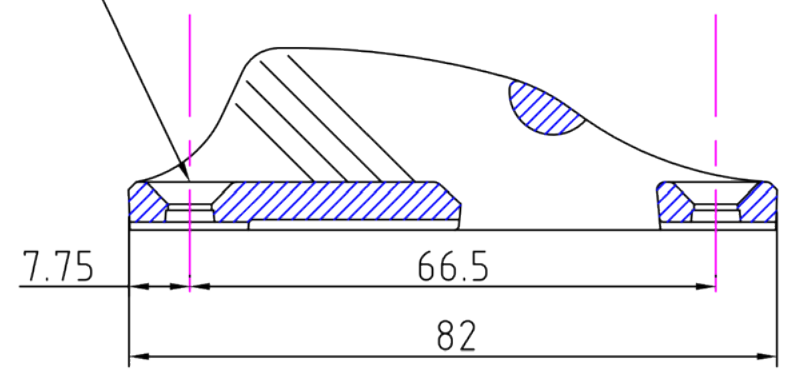
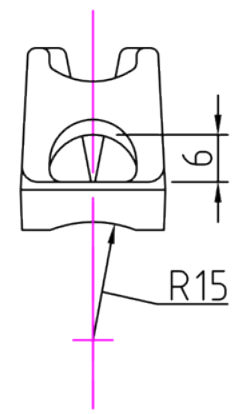
Scale 1:1  
 All dimensions in mm.

Issue: 3,	May 2006
	ID203.dwg
Material:	Nylon
Installation Drawing for: -	
<b>CL203</b>	
Junior	



2 Holes  $\varnothing 5.5$   
 countersunk  $\varnothing 10.0 \times 90^\circ$

Section 'AA'

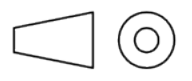


Notes: -  
 For marine applications, use a silicone sealant or a bedding compound to avoid electrolytic action between the cleat and metal fastenings.



Clamcleats Limited  
 Watchmead  
 Welwyn Garden City  
 Hertfordshire AL7 1AP  
 England

Telephone +44 (0)1707 330101  
 Fax +44 (0)1707 321269  
 http://www.clamcleat-rope-cleats.com



Scale 1:1  
 All dimensions in mm.

Issue: 3. May 2006  
 ID2111.dwg

Material:  
 Diecast Aluminium

Installation Drawing for: -

**CL211 Mk1**  
 Mk1 Racing Junior