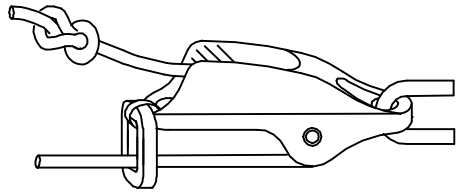
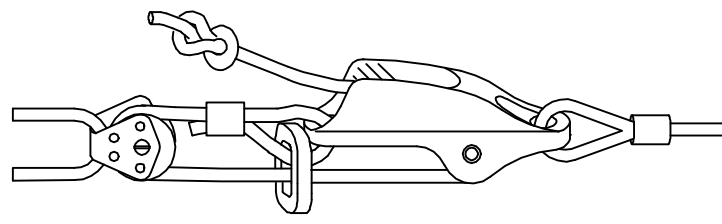


Ø4 – 8mm  
3/16" – 5/16"

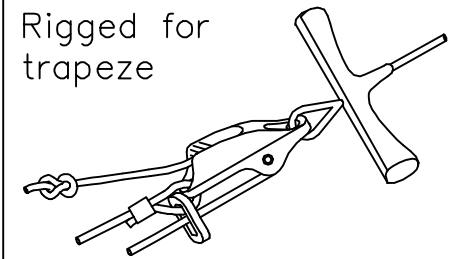


Rigged 1:1

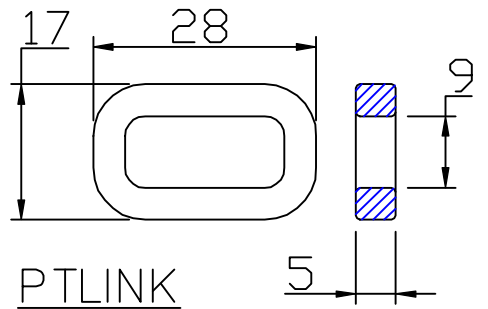
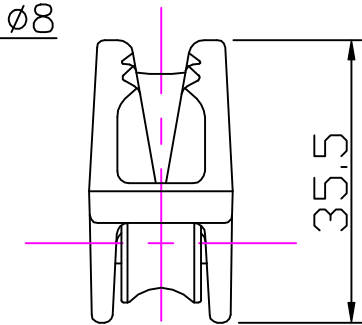
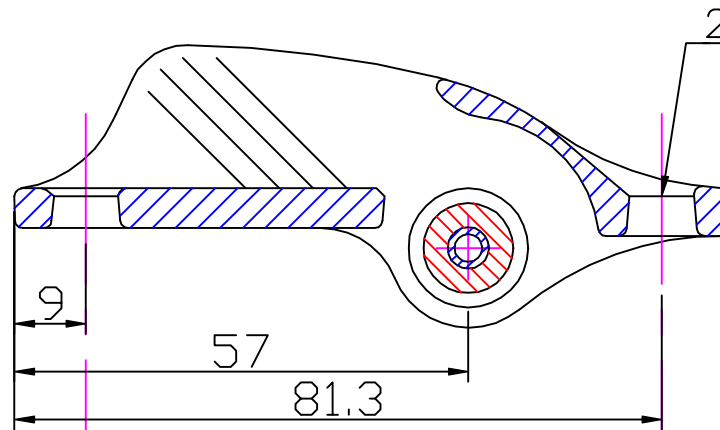
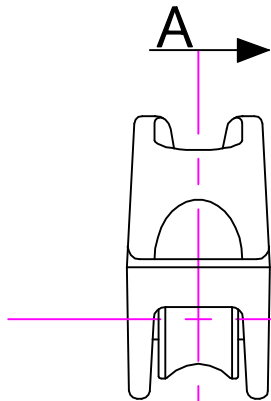


Rigged 2:1

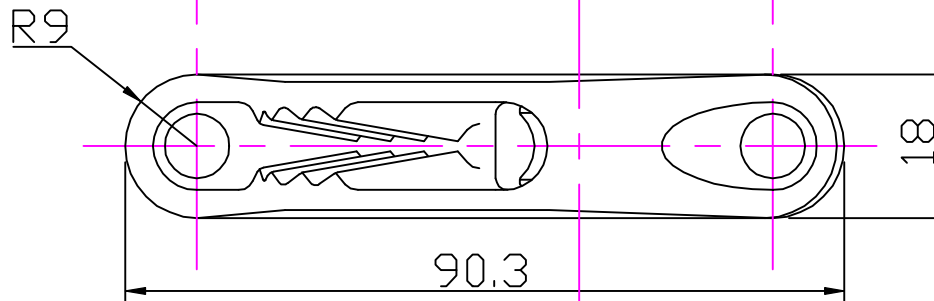
Rigged for  
trapeze



### Section 'AA'



PTLINK



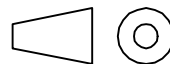
Issue: 1. Jul 2000  
ID253.dwg

Material:  
Cleat: – Diecast Aluminium  
Roller: – Reinforced Nylon

Installation Drawing for: –

# CL253

Trapeze & Vang Cleat



Scale 1:1

All dimensions in mm.



Clamcleats Limited  
Watchmead  
Welwyn Garden City  
Hertfordshire AL7 1AP  
England

Telephone +44 (0)1707 330101

Fax +44 (0)1707 321269

www.clamcleat-rope-cleats.com

Schiffsausrüster  
**TOPLICHT**  
Tel.: +49 (0)40-8890100  
www.toplicht.de