



Navigation Lights



Signalling Lights



Searchlights



Whistles

TECHNICAL MANUAL

DHR73 LED



Den Haan Rotterdam





Navigation Lights



Signalling Lights



Searchlights



Whistles

TECHNICAL MANUAL

DHR73 LED



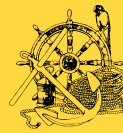
Den Haan Rotterdam





TABLE OF CONTENTS

Technical data	4
Product photo	5
Dimensions	6
Available models	6
Repair kit	7
Electrical specification	8
Mounting instructions	9



Den Haan Rotterdam



TECHNICAL DATA

Application:

- Vessels carrying dangerous cargoes
- Vessels of official guards
- Fire fighting vessels
- As general signalling light

Materials:

- Well glass, borosilicate, $\varnothing 64 \times \varnothing 49 \times 73$ mm
- Power supply, encapsulated
- Seawater resistant aluminium, Finish: UV-resistant powder coating, white RAL9016

Optical:

- Visibility 3 – 5 NM (blue 2 NM)
- Colours: Green, Red, White, Yellow and Blue
- Light intensity and colour specification, according to the European standard EN 14744

Dip-switch adjustable signal frequency:

Continuously or 60, 120, 180 flashes p/m.

Power supply:

- Dual**, 85 up to 264VAC and 24VDC -20% / +30%
- Nominal voltage 115VAC, 230VAC and/or 24VDC
- Both voltages can be connected at the same time.

Electrical insulation class:

I, (grounded)

Protection class:

IP 66

Life time:

50,000 Hours

Operation temperature:

-25°C up to +55°C

Mounting:

Base

Cable entry:

Two cable glands M25x1.5, for cable diameter **7 - 12** mm

DHR 73 LED-Signal light

TOPLICHT Art-Nr. 3359-736 / 3359-737



TOPLICHT

Notkestraße 97 · 22607 Hamburg

Stand: 10.11.2022

Den Haan Rotterdam



PRODUCT PHOTO

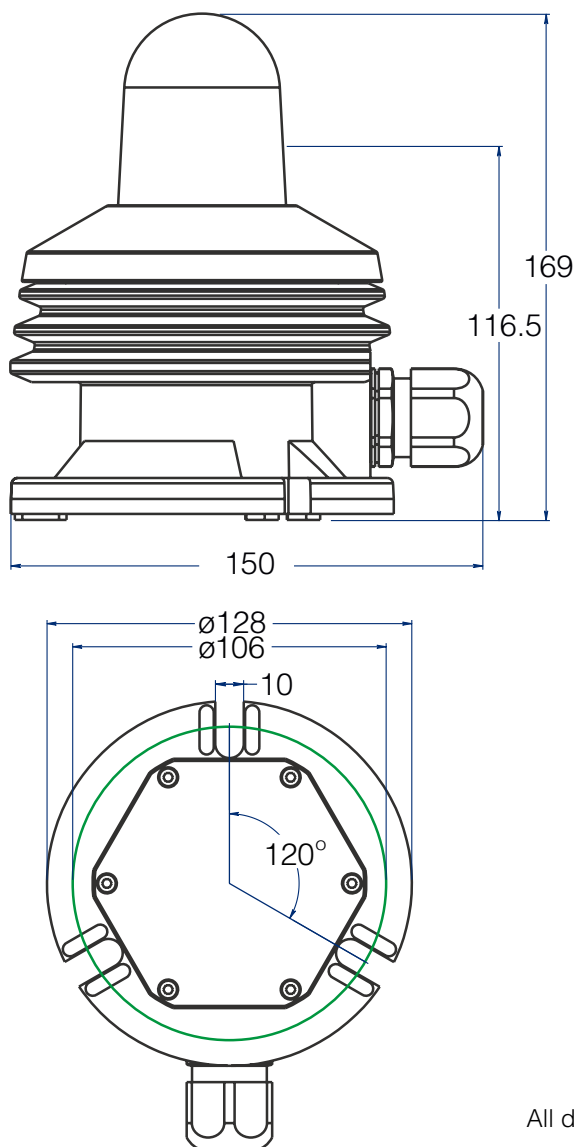




Den Haan Rotterdam



DIMENSIONS



All dimensions in mm.

AVAILABLE MODELS

Signal light	Min. Visibility	Nom. Power	Art. Code
White	5 NM	6W	73.06.00.00
Red	3 NM		73.07.00.00
Green	3 NM		73.08.00.00
Yellow	3 NM		73.09.00.00
Blue	2 NM		73.10.00.00



Den Haan Rotterdam



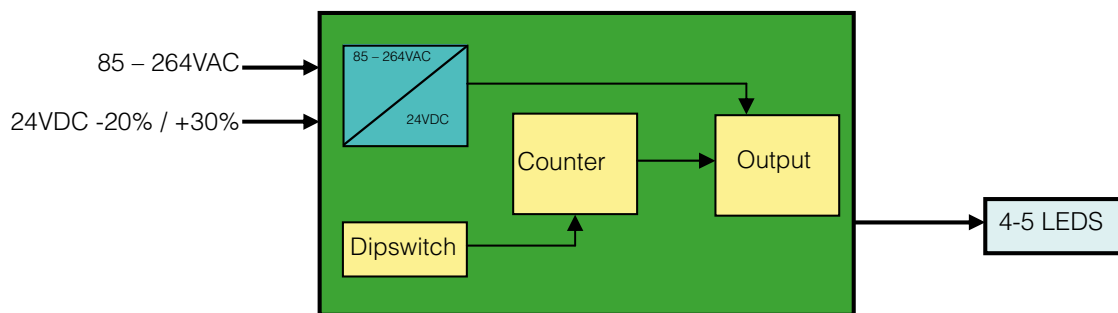
REPAIR KIT



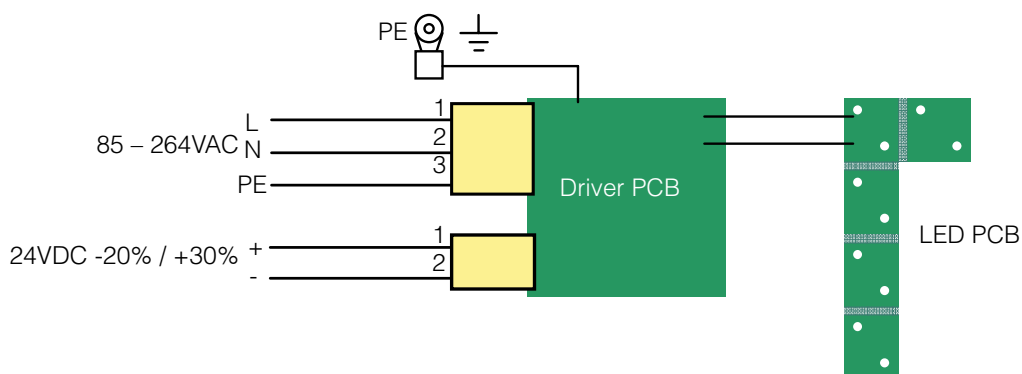
Item	Signal light	Description	Number
A	Green	Maintenance kit for: green	73.99.00.30
B	Red	Maintenance kit for: red	73.99.00.31
C	White	Maintenance kit for: white	73.99.00.33
D	Yellow	Maintenance kit for: yellow	73.99.00.34
E	Blue	Maintenance kit for: blue	73.99.00.35



ELECTRICAL SPECIFICATION



Block diagram



Construction



S1	S2	S3	Flashes / Min.
0	0	0	60
0	1	0	120
0	1	1	180
1	X	X	Continuous

'1': Switch is 'on'
'0': Switch is 'off'

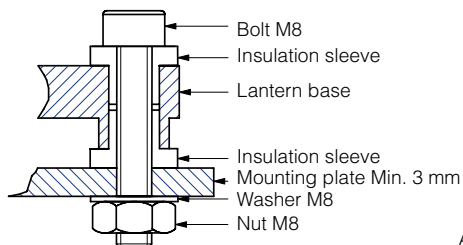
Dip-switch adjustment



Den Haan Rotterdam



MOUNTING INSTRUCTIONS



All dimensions in mm

Mounting plate

The mounting plate for navigation lights should be at least 3 mm thick and should not exceed a parallelism of // 00,5.

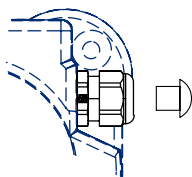
Fasteners

- The permissible torque should be 6 Nm
- Use only A4-grade stainless steel

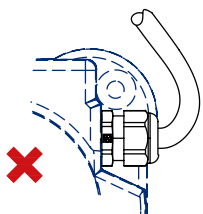
Caution!

Even though the housing is made of corrosion resistant materials, galvanic corrosion may still occur. To prevent galvanic corrosion use the insulation sleeves to isolate the aluminium housing from other metal parts.

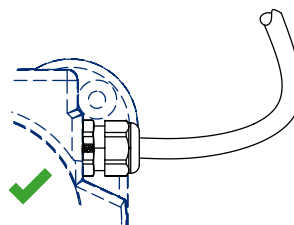
Cable glands



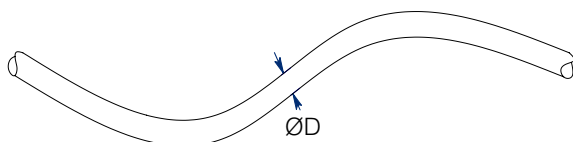
Remove the plug before placing the cable.



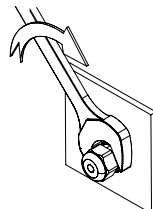
Cable too tight!
This gives unwanted stress at the sealing of the cable gland and water ingress will occur.



Include cable slack at the entering point of the cable gland



Preferred cable diameter D is 7 - 12 mm



Replacing cable gland

- Use gasket between housing and cable gland
- Tighten firmly (6Nm) with wrench

Important

Do not paint or use any other chemical for the lanterns, clean only with fresh water.

DHR 73 LED-Signal light

TOPLICHT Art-Nr. 3359-736 / 3359-737



TOPLICHT

Notkestraße 97 · 22607 Hamburg

Stand: 10.11.2022

ADVANCED MARITIME SIGNALLING SOLUTIONS



Den Haan Rotterdam
Fascinatio Boulevard 1182
2909 VA Capelle a/d IJssel
The Netherlands
T +31 (0) 10 413 07 55
E sales@dhr.nl
www.dhr.nl