

Micros cleat range Nylon and Aluminium



- Small, neat and lightweight for 1- 4mm $\frac{3}{64}$ " - $\frac{5}{32}$ " rope.
- Advanced tooth technology to hold all types of small rope.
- Can be fixed with standard screws and rivets, on tubular or flat surfaces.

Some Applications - Window blinds (cord control). Canoes (seat & rudder lines). Control lines on dinghies (Optimist booms & carbon tillers). Kitesurfing (5th line adjustment).

Open Cleat



Available soon

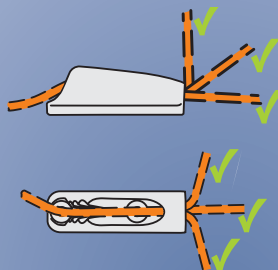
Aluminium or Nylon

Aluminium or Nylon.
 Compact to fit into small locations.
 Ideal when a rope is not always cleated.

Fairlead Cleat



Aluminium or Nylon



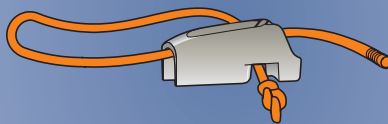
Fairlead strengthens cleat and allows quick fine adjustments of the rope.
 Helps hold rope into teeth when a line is flogging.



Fairlead Cleat with Becket



Aluminium only



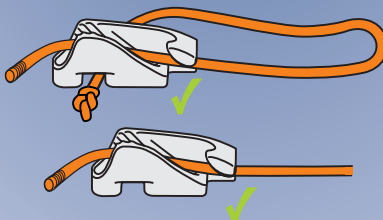
Large Becket makes it easy for frequent de-rigging.



Side entry Cleat with Becket



Aluminium only

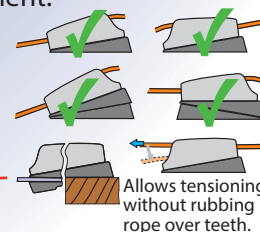


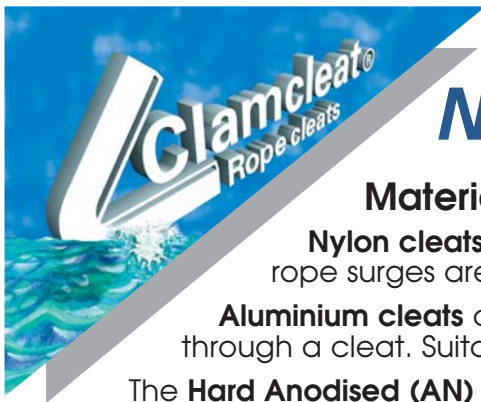
Side entry cleats gives the benefit of a fairlead but use of temporary cleating.



Tapered Pad allows correct rope/cleating alignment.
 Cleats can be mounted either way round.
 Pads can be stacked to increase angle or create a riser block.

Backplate provides support on thin deck sections.





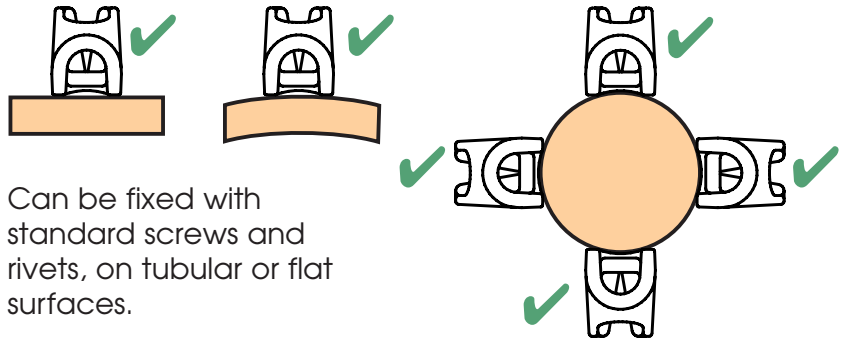
Micros cleat range Nylon and Aluminium

Material Selection

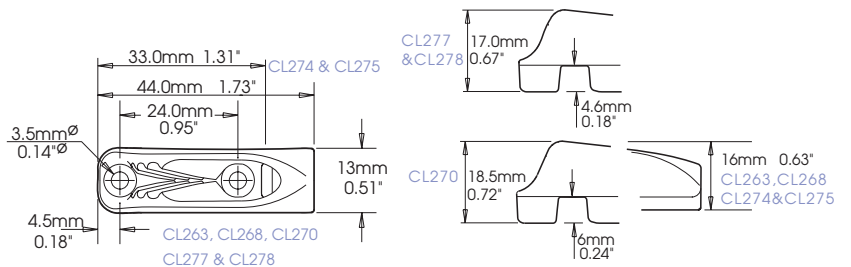
Nylon cleats offer very good value for money and are ideal where high loads or rope surges are not likely to be encountered.

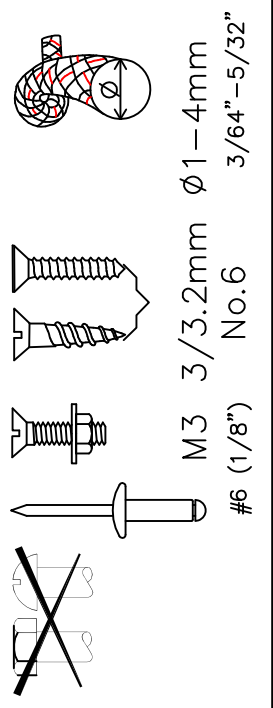
Aluminium cleats are unaffected by the heat generated by a rope surging back through a cleat. Suitable for sub-zero temperatures. Good corrosion resistance.

The **Hard Anodised (AN)** finish gives a high-tech and fashionable appearance as well as offering superior resistance to sea water corrosion.

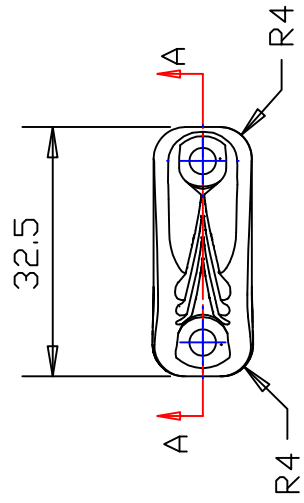
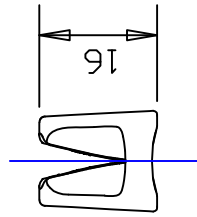
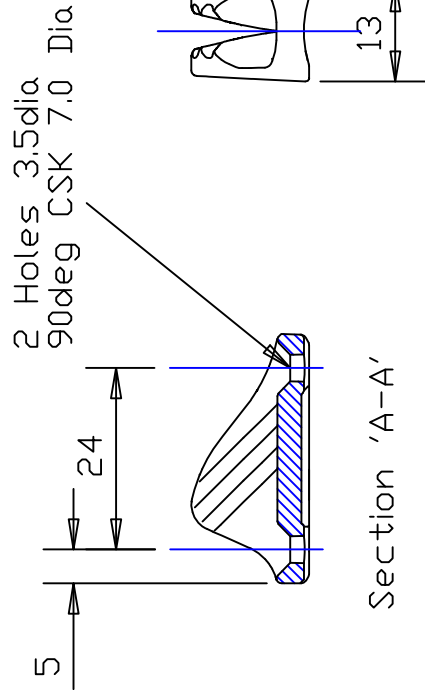


Cleats for ropes to 4mm (5/32")	Screw		Rivet			mm Ø	Gms	Ozs	
	mm Ø	inch Ø	A	B	C				
CL263 & CL263W White Micros	1 - 4	Nylon	A44	B24	C13	3.2	#4	3	5
	3/64-5/32	Aluminium	A13/4	B15/16	C1/2	1/8	1/8	No4	0.2
CL268 & CL268AN Hard Anodised Racing Micros	1 - 4	Aluminium	A44	B24	C13	3.2	#4	3	11
	3/64-5/32	Aluminium	A13/4	B15/16	C1/2	1/8	1/8	No4	0.4
CL270 & CL270AN Hard Anodised Racing Micros with Becket	1 - 4	Aluminium	A44	B24	C13	3.2	#4	3	13
	3/64-5/32	Aluminium	A13/4	B15/16	C1/2	1/8	1/8	No4	0.5
CL274 & CL274W Open Micros	-	Nylon	A33	B24	C13	3.2	#4	3	3
	-	Aluminium	A15/16	B15/16	C1/2	1/8	1/8	No4	0.1
CL275 & CL275AN Open Racing Micros	-	Aluminium	A33	B24	C13	3.2	#4	3	7
	-	Aluminium	A15/16	B15/16	C1/2	1/8	1/8	No4	0.25
CL277 & CL277AN Hard Anodised Side entry Racing Micros with Becket (Starboard)	1 - 4	Aluminium	A44	B24	C14	3.2	#4	3	11
	3/64-5/32	Aluminium	A13/4	B15/16	C9/16	1/8	1/8	No4	0.4
CL278 & CL278AN Hard Anodised Side entry Racing Micros with Becket (Port)	1 - 4	Aluminium	A44	B24	C14	3.2	#4	3	11
	3/64-5/32	Aluminium	A13/4	B15/16	C9/16	1/8	1/8	No4	0.4
CL823 Tapered Pad for CL263, CL268, CL270, CL277 & CL278	-	Polypropylene	A47	B -	C19	3.2	#4	3	4
	-	Polypropylene	A13/16	B -	C3/4	1/8	1/8	No4	0.15





Notes: -
 For marine applications, use a silicone sealant or a bedding compound to avoid electrolytic action between the cleat and metal fastenings.



Issue: 1	Oct 2009
Material: Nylon	ID274.dwg
Installation Drawing for: -	
CL274	
Open Micros	

Clamcleat®
 Rope cleats

Clamcleats Limited
 Watchmead
 Welwyn Garden City
 Hertfordshire AL7 1AP
 England

Telephone +44 (0)1707 330101
 Fax +44 (0)1707 321269
 Email sales@clamcleat.com
 www.clamcleat.com

Scale 1:1
 All dimensions in mm.



Mk2 Junior cleat range Nylon and Aluminium

- Small, neat and lightweight for 3 - 6mm 1/8" - 1/4" rope.
- Advanced tooth technology to hold all types of small rope.
- Can be fixed with standard screws and rivets, on tubular or flat surfaces.

Some Applications - Window blinds (cord control). Canoes (seat & rudder lines). Control lines on dinghies. Kitesurfing (Brake Line adjustment).

Open Cleat



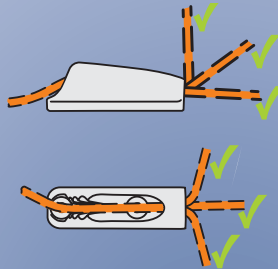
Aluminium or Nylon

Compact to fit into small locations. Ideal when a rope is not always cleated.

Fairlead Cleat



Aluminium or Nylon

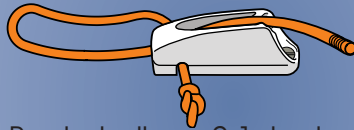


Fairlead strengthens cleat and allows quick fine adjustments of the rope. Helps hold rope into teeth when a line is flogging.

Fairlead Cleat with Becket



Aluminium only



Becket allows 2:1 rigging.

Side entry Cleat



Aluminium only

1. Rope runs free
Keeper is closed to stop rope going into cleat teeth

2. Pull rope back and down to cleat
Keeper opens to allow rope into teeth

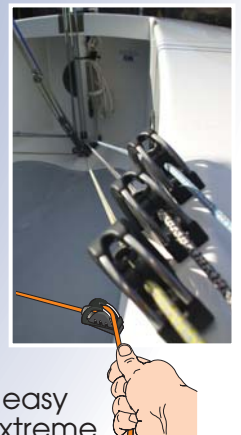
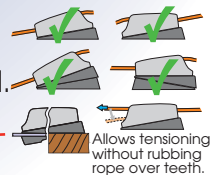
3. Rope gripped
Keeper holds rope in cleat

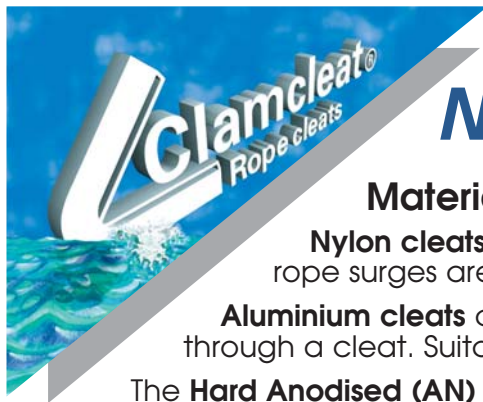
4. Lift up to release
Keeper opens to allow rope out of teeth



Cage allows easy cleating at extreme angles.

Tapered Pad allows correct alignment. Cleats can be mounted either way round. Backplate provides support on thin deck sections.





Mk2 Junior cleat range Nylon and Aluminium

Material Selection

Nylon cleats offer very good value for money and are ideal where high loads or rope surges are not likely to be encountered.

Aluminium cleats are unaffected by the heat generated by a rope surging back through a cleat. Suitable for sub-zero temperatures. Good corrosion resistance.

The **Hard Anodised (AN)** finish gives a high-tech and fashionable appearance as well as offering superior resistance to sea water corrosion.



CL204

CL204W



CL222

CL222AN



CL272

CL272W

Available soon



CL211Mk2

CL211Mk2AN



CL211Mk2/S2

CL211Mk2/S2AN



CL217Mk2AN

CL217Mk2



CL218Mk2



CL218Mk2AN

CL815

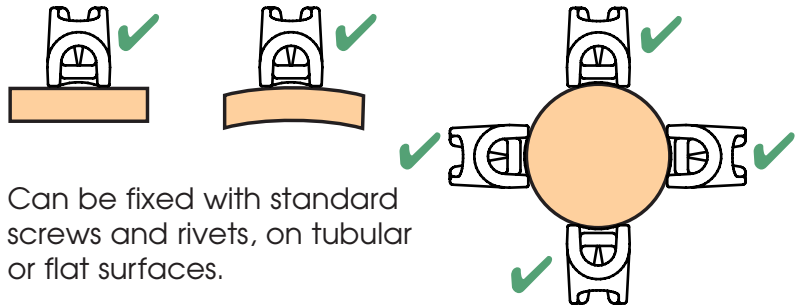


CL817



CL819

CL802



Can be fixed with standard screws and rivets, on tubular or flat surfaces.

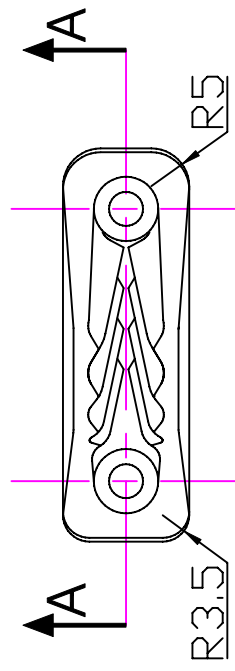
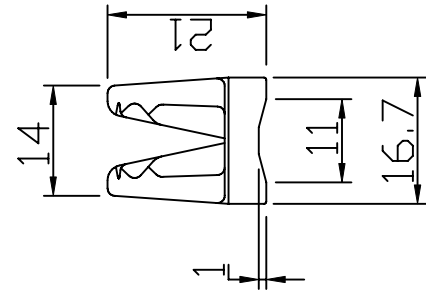
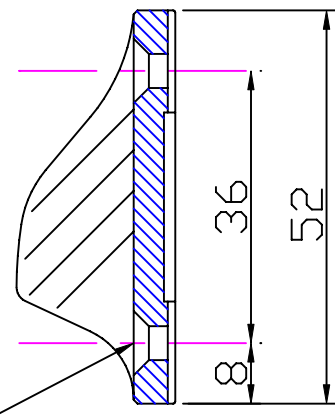
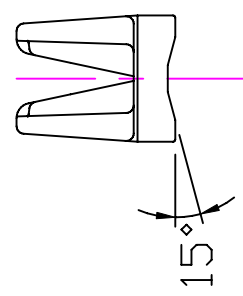
Cleats for ropes to 6mm (1/4")

	mm Ø inch Ø	A B	C	mm inch	mm Ø inch Ø	mm Ø inch Ø	mm Ø Gauge	Gms Ozs
CL204 & CL204W White Mini	3 - 6 1/8-1/4	Nylon A52 B36 C17	A2 1/16 B17/16 C11/16	3.2 1/8	#8 4	4.2 No8	9 0.3	
CL211 Mk2 & CL211 Mk2AN Hard Anodised Racing Junior Mk2	3 - 6 1/8-1/4	Aluminium A55 B27 C17	A2 1/8 B1 1/16 C11/16	3.2 1/8	#8 4	4.2 No8	21 0.8	
CL211Mk2/S2 & CL211Mk2AN/S2 Hard Anodised Racing Junior Mk2 with Becket	3 - 6 1/8-1/4	Aluminium A55 B27 C17	A2 1/8 B1 1/16 C11/16	3.2 1/8	#8 4	4.2 No8	21 0.8	
CL217 Mk2 & CL217 Mk2AN Hard Anodised Side entry (Starboard)	3 - 6 1/8-1/4	Aluminium A55 B27 C17	A2 1/8 B1 1/16 C11/16	3.2 1/8	#8 4	4.2 No8	24 0.8	
CL218 Mk2 & CL218 Mk2AN Hard Anodised Side entry (Port)	3 - 6 1/8-1/4	Aluminium A55 B27 C17	A2 1/8 B1 1/16 C11/16	3.2 1/8	#8 4	4.2 No8	24 0.8	
CL222 & CL222AN Hard Anodised Racing Mini	3 - 6 1/8-1/4	Aluminium A48 B36 C15	A1 7/8 B17/16 C5/8	3.2 1/8	#8 4	4.2 No8	16 0.6	
CL272 & CL272W White Nylon Mk2 Junior	3 - 6 1/8-1/4	Nylon A55 B27 C17	A2 1/8 B1 1/16 C11/16	3.2 1/8	#8 4	4.2 No8	12 0.4	
CL815 Keeper for CL211 Mk2, CL211 Mk2AN, Mk2/S2, CL211 Mk2AN/S2 & CL272	3 - 6 1/8-1/4	Acetal A - B - C -	-	3.2 1/8	#8 4	4.2 No8	9 0.3	
CL817 Cage for CL211 Mk2, CL211 Mk2AN & CL272	-	Nylon & Stainless steel A - B - C -	-	-	-	-	23 0.8	
Requires CL815 Keeper	-	-	-	-	-	-	-	
CL802 Tapered Pad for CL204 & CL222	3 - 6 1/8-1/4	Polypropylene A 57 B - C21	A2 1/4 B - C13/16	3.2 1/8	#8 4	4.2 No8	4 0.1	
CL819 Tapered Pad for CL211 Mk2, CL217 Mk2, CL218 Mk2, CL211 Mk2/S2 & CL272	3 - 6 1/8-1/4	Polypropylene A60 B27 C23	A2 3/8 B1 1/16 C29/32	3.2 1/8	#8 4	4.2 No8	8 0.3	

M4 4/4.2mm ϕ 3 - 6mm
#8 (5/32") No. 8 1/8" - 1/4"

Section 'AA'

2 Holes ϕ 4.5
countersunk ϕ 8.5x90°



Clamcleat®
Rope cleats

Clamcleats Limited
Watchmead
Welwyn Garden City
Hertfordshire AL7 1AP
England

Telephone +44 (0)1707 330101
Fax +44 (0)1707 321269
<http://www.clamcleat-rope-cleats.com>

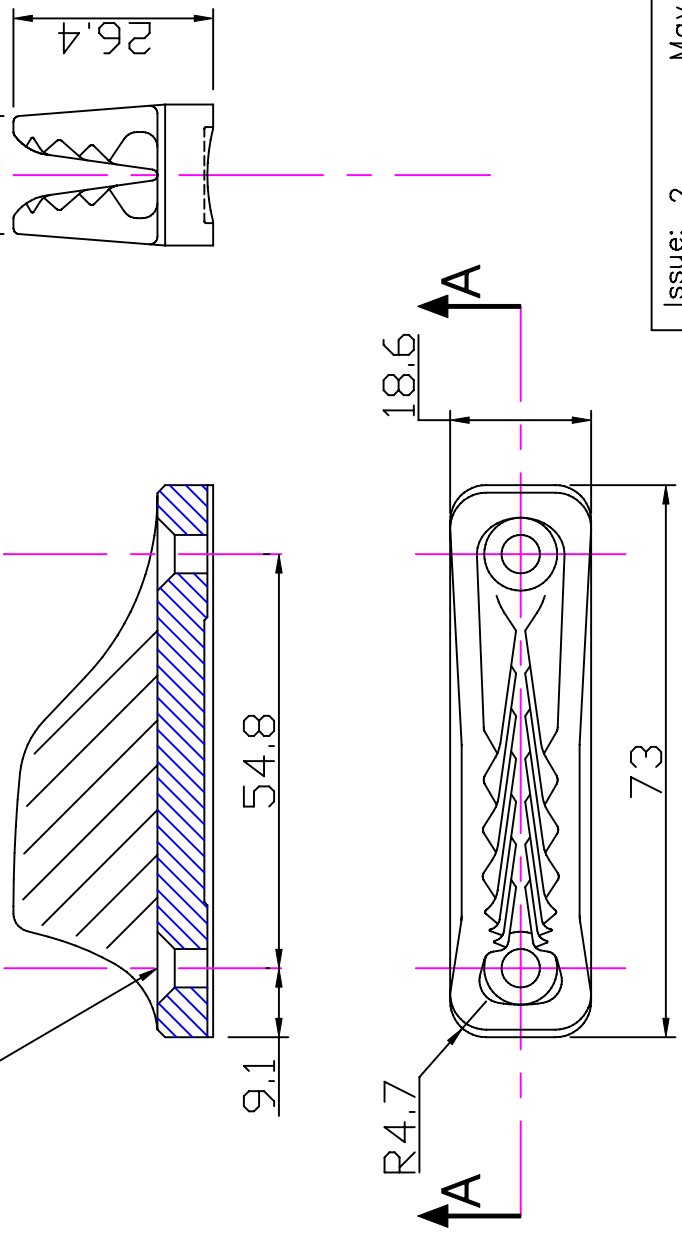
Issue: 3.	May 2006
Material: Nylon	ID204.dwg
Installation Drawing for: -	
CL204 Mini	

Scale 1:1
All dimensions in mm.

M5 4.5/4.8mm Ø 4-8mm
#10 (3/16") No.10 5/32" - 5/16"

2 Holes $\phi 5.2$
countersunk $\phi 9.6 \times 90^\circ$

Section 'AA'



Issue: 2.	May 2006
Material: Nylon	ID209.dwg
Installation Drawing for: -	
CL209	
Midi	

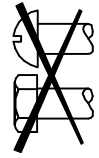
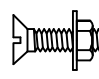
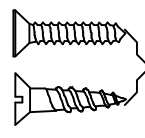
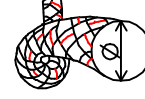
Clamcleat®
Rope cleats

Clamcleats Limited
Watchmead
Welwyn Garden City
Hertfordshire AL7 1AP
England

Telephone +44 (0)1707 330101
Fax +44 (0)1707 321269
<http://www.clamcleat-rope-cleats.com>

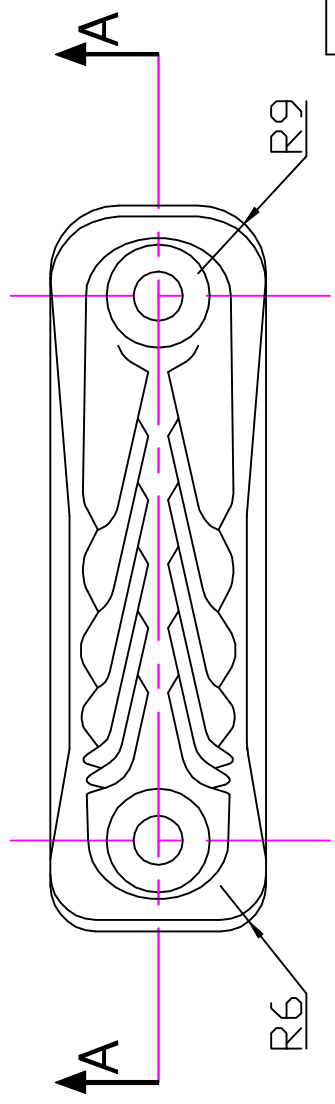
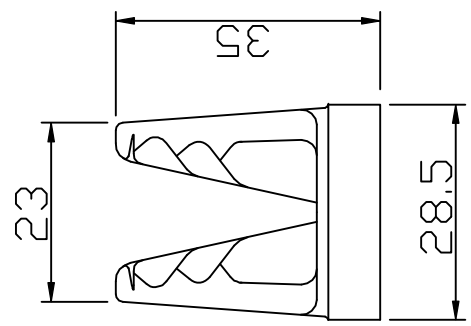
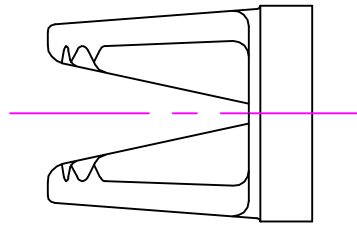
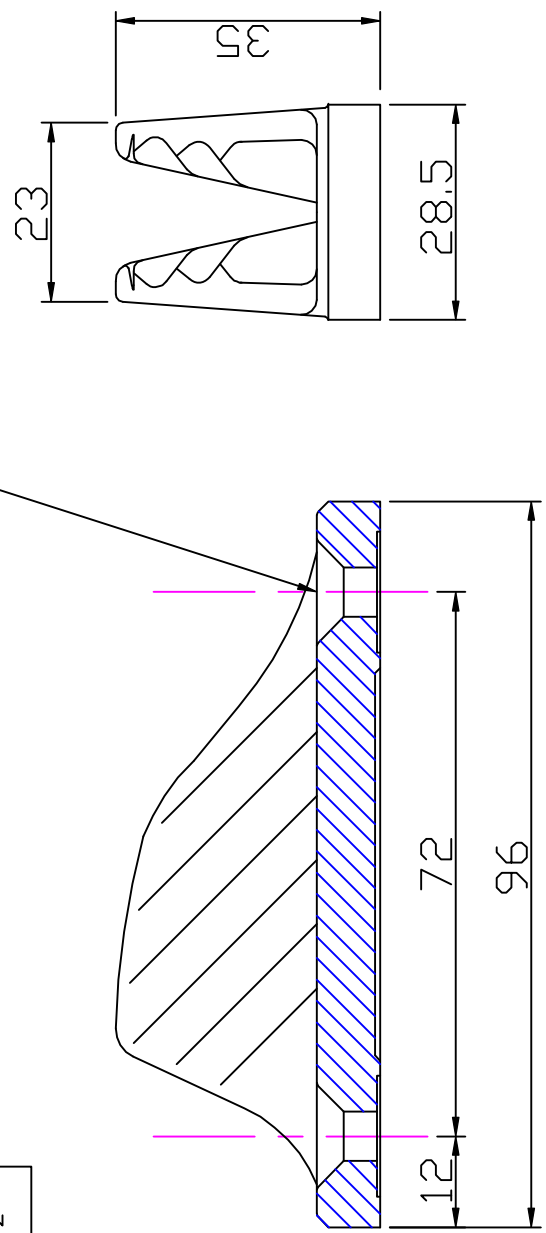
Scale 1:1
All dimensions in mm.



	
	M6
	6.3mm
	No.14
	Ø6 -12mm
	1/4" - 1/2"

Section 'AA'

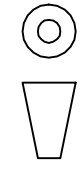
2 Holes Ø6.5
countersunk Ø13.7x90°



Clamcleat®
Rope cleats

Clamcleats Limited
Watchmead
Welwyn Garden City
Hertfordshire AL7 1AP
England

Telephone +44 (0)1707 330101
Fax +44 (0)1707 321269
<http://www.clamcleat-rope-cleats.com>

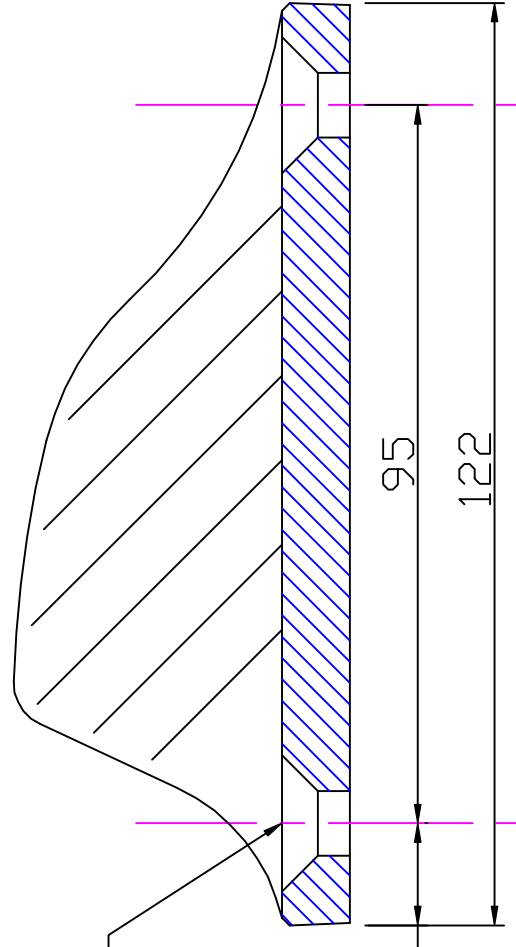


Scale 1:1
All dimensions in mm.

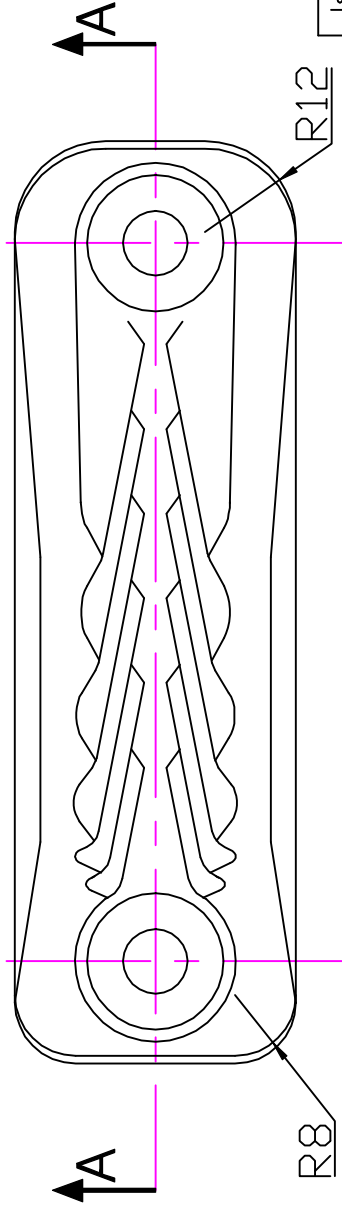
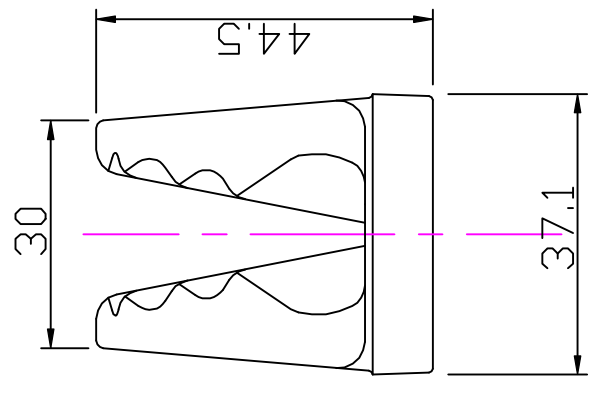
Issue: 2.	Oct 1998
Material: Nylon	ID201.dwg
Installation Drawing for: -	
CL201	
Vertical	

~~M8 5/16"~~
~~8mm No.16~~
~~Ø10-16mm 3/8" - 5/8"~~

Section 'AA'



2 Holes $\phi 8.5$
countersunk $\phi 18 \times 90^\circ$



Clamcleat®
 Rope cleats

Clamcleats Limited
 Watchmead
 Welwyn Garden City
 Hertfordshire AL7 1AP
 England

Telephone +44 (0)1707 330101
 Fax +44 (0)1707 321269
<http://www.clamcleat-rope-cleats.com>

Issue: 2. Jan 1999
ID205.dwg

Material: Nylon

Installation Drawing for: -

CL205
Major



 Scale 1:1
 All dimensions in mm.