

## Kugelhahn Rotguss (Bronze)

Marken-Kugelhahn aus der seawasserbeständigen Bronzelegierung CB491K (Rotguss) mit vollem Durchgang. Beidseits Innengewinde nach ISO 228/1, die Kugel und die Spindel sind für besonders hohe Korrosionsbeständigkeit aus A4-Edelstahl (AISI 316) gefertigt.

Der Hebel aus Stahl mit spezieller GEOMET-Korrosionsbeschichtung und rotem PVC-Überzug, Arbeits-Nennndruck PN40.

TOPLICHT Art-Nr.	Nenngröße Zoll	Baulänge mm	Gewicht
1955-213	1/2"	55	250 g
1955-219	3/4"	67	350 g
1955-225	1"	77	550 g
1955-232	1 1/4"	90	890 g
1955-238	1 1/2"	102	1400 g
1955-250	2"	120	1750 g

Full bore bronze ball valve  
 Threaded F/F (ISO 228/1)  
 (available on request with ASME B1.20.1 NPT threads)  
 Design according to MSS-SP110  
 Air testing according to EN12266-1  
 Seats and packing specific for high temperatures  
 (Seats in PTFE+graphite, packing in Grafoil)  
 Blow-out proof stem, adjustable packing  
 CE and TR CU 010 compliant

PN40 (Max 40bar up to 100°C, max 10bar at 200°C)  
 Free of CE marking for DN≤32 (cat. according to Art. 4.3 Dir. 2014/68/EU)

Working conditions

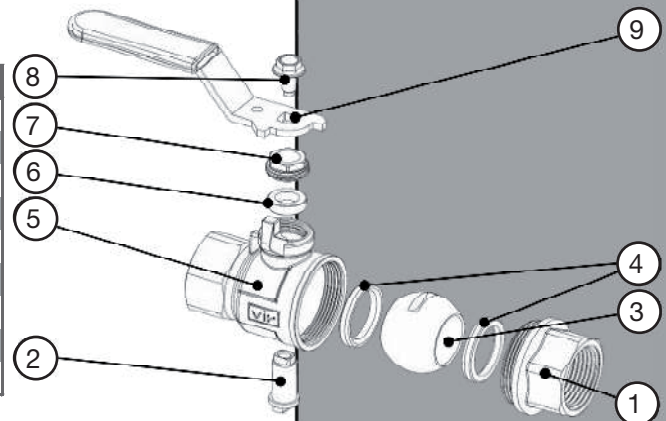
- Suitable for: water, -30°C to +200°C  
 below 0°C only for water with added antifreeze fluids  
 over 100°C only for water with added anti-boiling fluids
- Not suitable for: gases and liquids group 1 (Dir. 2014/68/UE)



## PARTLIST

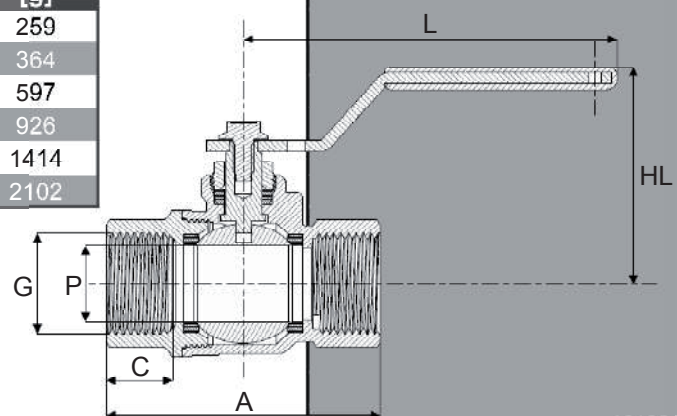
N.	Part	Material	Norm
1	Fixed End	Bronze	EN1982 CB491K
2	Stem	Stainless steel	AISI 316
3	Ball	Stainless steel	AISI 316
4	Seat	PTFE+graphite	-
5	Body	Bronze	EN1982 CB491K
6	Packing ring	Grafoil	-
7	Packing nut	Brass	EN12164 CW617N
8	Screw	Stainless steel	AISI 430
9	Handle	Stainless steel <sup>1</sup>	AISI 430

<sup>1</sup>With red PVC cover



## DIMENSIONS

DN	G	A	C	P	HL	L	K <sub>v</sub>	Weight
		[mm]	[mm]	[mm]	[mm]	[mm]	[m <sup>3</sup> /h]	[g]
015	1/2"	57	15,5	15	54	91,5	15,7	259
020	3/4"	67	16,5	20	58	91,5	30,8	364
025	1"	77	19,5	25	65	126,5	49,3	597
032	1 1/4"	91	21,5	32	71	126,5	79,0	926
040	1 1/2"	103	21,5	40	83	141,5	125,3	1414
050	2"	122	25,0	50	91	141,5	224,2	2102



161221