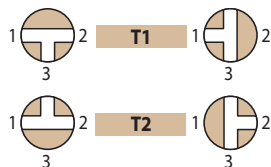
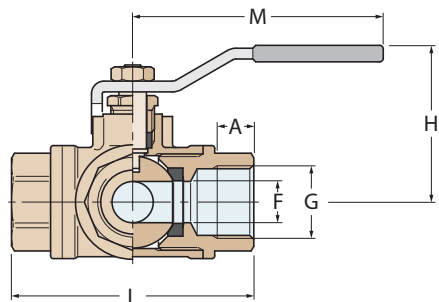


# valvole a sfera ball valves

## 1551



FILETTATURE / THREAD :  
G = ISO 228/1 (BS 2779)

**Valvola a sfera a tre vie PN32 flusso a "T"**  
Three ways ball valve F-F-F PN32 - "T" flow



Ottone nichelato  
Nickel-plated brass

1551	■	■	■	■	■	■	■	■
PN	32	32	32	32	32	25	25	25
Weight (gr)	450	420	650	860	1490	1790	3610	5200
M	90	90	125	125	140	140	220	220
H	56	56	62	66	73	76	97	104
L	74	74	80	90	105	115	138	161
F	10	10	12	15	20	25	32	40
A	12	12	14	16	19	21	23	26
G	1/4"	3/8"	1/2"	3/4"	1"	1 1/4"	1 1/2"	2"