

**AT A GLANCE**

FEATURES

- Stainless Steel lever / Composite knob
- Momentary switch to control Bow Thruster or Windlass
- Suitable for power or sail
- Can be mounted with or without cover plate
- Drop in replacement for popular 700 SS control
- Standard control suits 33C type cables
- Neutral "warm up" button for throttle only operation



*shown without cover plate*

## CH2800 / 2850 SIDE MOUNT CONTROLS

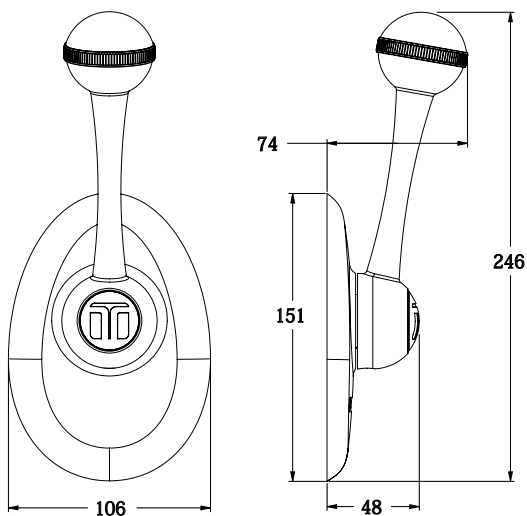
### TECHNICAL DATA

CH2800 Features unique twistgrip switch for control of Bow thruster or windlass. Designed for steering pedestal or cockpit well mounting. Polished stainless steel lever. Dual action design. Suits 33c type cables.

### SPECIFICATIONS

ORDER INFORMATION	PART NO.
Side mount control (with switch)	CH2800
Side mount control (without Switch)	CH2850
Optional neutral safety switch	178000

### DIMENSIONS



[www.teleflexmarine.com](http://www.teleflexmarine.com)



**Teleflex**  
MARINE

Schiffsausrüster  
**TOPLICHT**

Tel.: +49 (0)40 - 88 90 100  
[www.toplicht.de](http://www.toplicht.de)