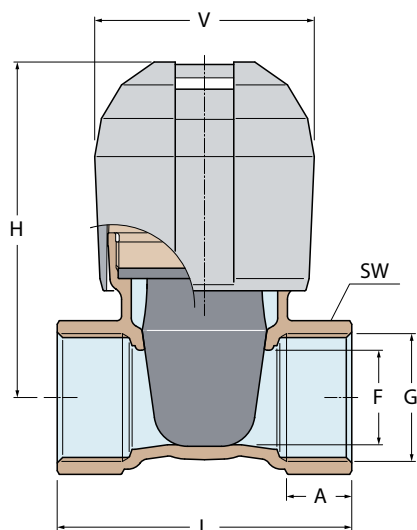


**Valvola "antiblocco Alex" filettata  
 passaggio totale**  
 Threaded "non stick" valve "Alex"  
 full flow

**Omologato RINA**  
 RINA validated

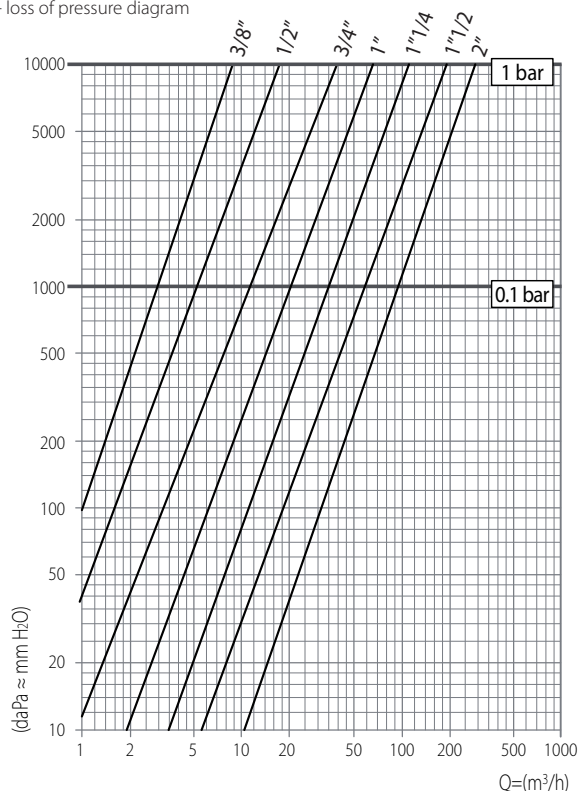


FILETTATURE / THREAD :  
 G = EN 10226/1 (BS 21)

Bronzo  
 Bronze

2260	3/8"	1/2"	3/4"	1"	1 1/4"	1 1/2"	2"
Weight (gr)	490	480	650	840	1250	1500	2500
SW	25	25	31	38	47	54	67
F	15	15	20	25	33	38	48
A	11.4	15	16.3	19.1	21.4	21.4	25.7
V	53	53	58	63	72	78	90
L	67	67	73	84	97	103	124
H	76	76	85	94	110	118	139
<b>G</b>	<b>3/8"</b>	<b>1/2"</b>	<b>3/4"</b>	<b>1"</b>	<b>1 1/4"</b>	<b>1 1/2"</b>	<b>2"</b>

Diagramma portate - perdite di carico  
 Flow rate - loss of pressure diagram



**Corpo in bronzo**  
 Bronze body

**Guarnizioni in neoprene**  
 Neoprene gaskets

**Volantino in ABS**  
 ABS handwheel

TOPLICHT Art-Nr.	G	0.1 bar	1 bar
	3/8"	8800	2940
1903-113	1/2"	17000	5100
1903-119	3/4"	39000	11600
1903-125	1"	65000	20100
1903-132	1 1/4"	110000	35500
1903-138	1 1/2"	189000	59400
1903-150	2"	280000	92600

**Portate di acqua - lt/h**  
 Flow-rate capacity - lt/h