

POSITION MONITORED BALL VALVES



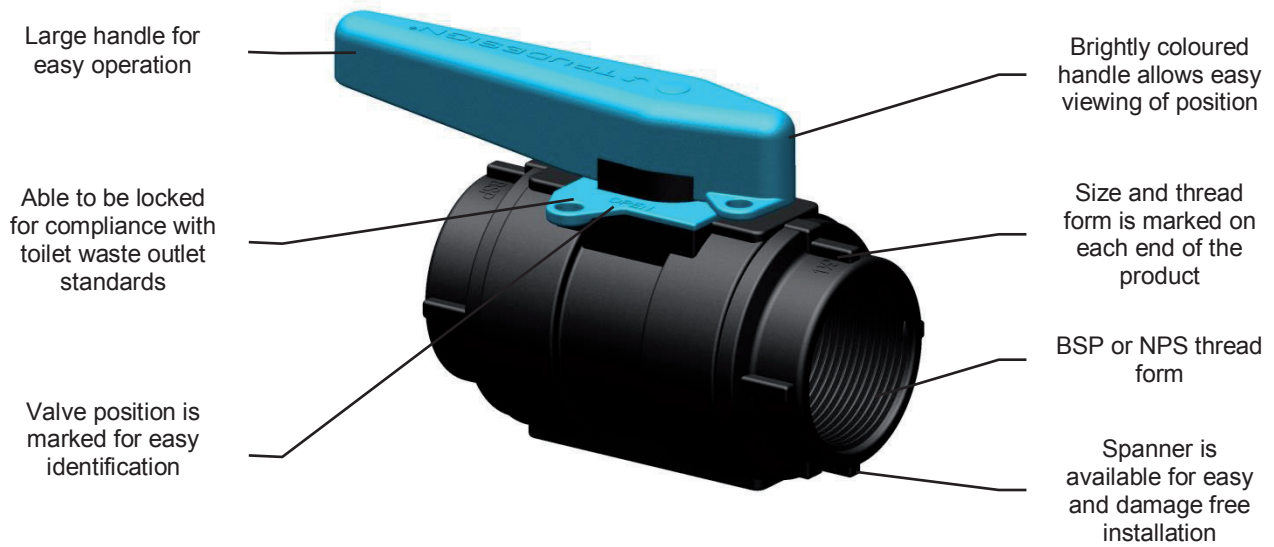
Designed and made in New Zealand **TRUDESIGN**[™] Certified Ball Valves are specifically designed for use in marine applications above and below the water line.

- Certified to ISO 9093-2 by the International Marine Certification Institute (IMCI, Belgium) when fitted to **TRUDESIGN**[™] Skin Fittings (Thru Hulls)
- Comply with ABYC H-27 standards when used in conjunction with the **TRUDESIGN**[™] ABYC collar and Skin Fittings (Thru Hulls).
- Certified by Bureau Veritas to ISO 9093-2.

FEATURES:

- Allows remote monitoring of up to four Ball Valves (per seacock display panel) in the open or closed position.
- Can be wired into or part of an engine or generator start "interlock" to ensure they don't start without cooling water available.
- Manufactured from a glass-reinforced Nylon composite – High strength, tough and light weight.
- Immune to corrosion & electrolysis – No corrosion breakages, increased safety.
- Electrically non-conductive. No electrical bonding.
- Suitable for use on all hull types - aluminium, steel, wood or FRP.
- The ball and sealing rings utilise a PTFE polymer to ensure a smooth action and minimal fouling of the internal ball.
- Can be "locked" in the closed position to comply with toilet waste outlet regulations. US Coast Guard Regulation 33 CFR 159.7 and ISO Standard 8099 for locking of toilet waste outlets
- Large operating temperature range – From -20°C to +100°C (for Ball Valve only)
- Available in both BSP and NPS thread forms
- U.V resistant – Will not degrade or discolour from the sun's ultraviolet rays.
- 100% leak tested before leaving factory.

FEATURES CONTINUED



Large handle for easy operation

Brightly coloured handle allows easy viewing of position

Able to be locked for compliance with toilet waste outlet standards

Size and thread form is marked on each end of the product

Valve position is marked for easy identification

BSP or NPS thread form

Spanner is available for easy and damage free installation

MODELS

Internal diameter	BSP Thread		
	Part #	Description	TOPLICHT Art-Nr.
19mm [¾"]	90473	Ball Valve Position Monitored ½" BSP	6985-113
	90277	Ball Valve Position Monitored ¾" BSP	6985-119
	90243	Ball Valve Position Monitored 1" BSP	6985-125
32mm [1¼"]	90239	Ball Valve Position Monitored 1¼" BSP	6985-132
	90236	Ball Valve Position Monitored 1½" BSP	6985-138
52mm [2"]	90474	Ball Valve Position Monitored 2" BSP	6985-150

Ball Valves are supplied with spanner and installation instructions

WEIGHT

Internal Diameter	Thread Size	Weight (g)	Weight (oz)
19mm [¾"]	½", ¾", 1"	350	12.3
32mm [1¼"]	1¼", 1½"	500	17.6
52mm [2"]	2"	750	26.4
90412 Panel Display Ball Valve		230	8.1

DISPLAY PANEL

- The Ball Valve Display Panel is supplied with the following;
 - Installation instructions
 - 2 x hook-up wire with connector – 2.5m (8.2')
 - Mounting screws and covers
 - Sticker Sheet with the following options

AIRCON INTAKE	ENGINE INTAKE	HOLDING TANK OUTLET PORT	TOILET INTAKE STABD
BAIT TANK INTAKE	ENGINE INTAKE PORT	HOLDING TANK OUTLET STBD	TOILET OUTLET
BLACK WATER OUTLET	ENGINE INTAKE STBD	SALTWATER WASH INTAKE	TOILET OUTLET AFT
BLACK WATER OUTLET AFT	GENSET INTAKE	TOILET INTAKE	TOILET OUTLET FWD
BLACK WATER OUTLET FWD	HOLDING TANK OUTLET	TOILET INTAKE AFT	TOILET OUTLET PORT
BLACK WATER OUTLET PORT	HOLDING TANK OUTLET AFT	TOILET INTAKE FWD	TOILET OUTLET STBD
BLACK WATER OUTLET STBD	HOLDING TANK OUTLET FWD	TOILET INTAKE PORT	WATERMAKER INTAKE

The Position Monitoring function switches state when the Ball Valve is in the open position.

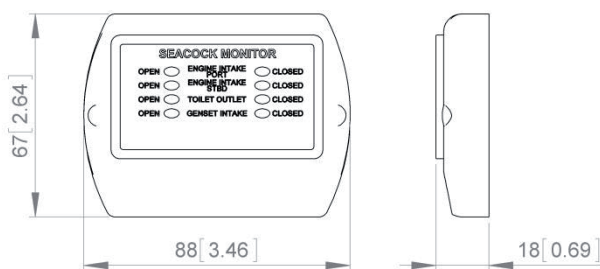


Supply voltage 9.5 – 12V DC

Maximum switching current – 500mA

Wire length – 2m (6.5')

Part #	Description	TOPLICHT Art-Nr.
90412	Panel Display Ball Valve	6985-110



INSTALLATION & THREAD SEALING

Ensure the skin fitting (Thru Hull) and ball valve location enables full operation of the valve handle. See also our info sheet on **TRUDESIGN™** skin fitting installation. The following sealing methods can be used

- 3M™ Marine Adhesive Sealant Fast Cure 5200. A one-part polyurethane adhesive/sealant. Starts to cure (tack-free) in approximately 2 hours, after which hoses can be attached. Full cure takes 24 hours – refer to manufacturer's product literature.
- SIKAFLEX® 291i Marine Sealant. A one-part polyurethane adhesive/sealant. Starts to cure (tack-free) in approx. 2 hours, after which hoses can be attached. Full cure takes 24 hours – refer to manufacturer's product literature.
- Bostik® 920 Marine Sealant. A one-part urethane adhesive/sealant. Starts to cure (tack-free) in approx. 2 hours, after which hoses can be attached. Full cure takes 1.5 – 3 days – refer to manufacturer's product literature.
- 3M™ Marine Adhesive Sealant Fast Cure 4200 is approximately half the strength (once cured) of 3M 5200 which allows for eventual disassembly of the ball valve from skin fitting.
- LOCTITE® 5331 A one-part acetoxysilicone sealant. Starts to cure (tack-free) in approx. 10 minutes, after which hoses can be attached. Full cure is achieved within 12 hours (at min. 40% atmospheric humidity) – refer to product literature. Creates a permanent seal for threaded connections.
- PTFE (Teflon) Thread Tape is a traditional thread sealing method which provides a good seal when applied correctly. However, in some cases if the position or tightness of the Ball Valve is incorrect, it will need to be unscrewed and more tape applied, slowing the assembly process. Additionally, the fittings can sometimes be turned by hand after being installed.
- LOCTITE® 55 Pipe Sealing Cord is a coated multi-filament cord designed as a faster method than Teflon tape to seal threaded fittings. The main advantage is that a component, for example a Ball Valve, could be screwed down then screwed back a turn to suit positioning whilst still maintaining a tight seal. This eliminates the need to remove the entire Ball Valve and apply more tape as with traditional Teflon tape.

Screw ball valve onto the skin fitting (Thru Hull) using the correct Ball Valve Spanner (available from **TRUDESIGN™**), or other appropriate tool.

Tighten to a maximum of 16Nm (12ft/lbs).

Check that the final position of the Ball Valve is such that it allows full movement of the handle from the open to closed position, and that it is clear of objects which may cause inadvertent operation.

Full wiring instructions are supplied with the Position Monitored Ball Valve. Full installation instructions and hardware are provided with the Ball Valve Display Panel.

Note: The connecting threads on each end of the Ball Valves are a parallel thread form. The advantage of parallel threads over tapered is that there is maximum engagement between the mating threads providing a strong and watertight seal. This is also a requirement to meet international marine standards.

Mixing parallel and tapered threads can cause strength and sealing problems as the engagement can frequently be only a few turns

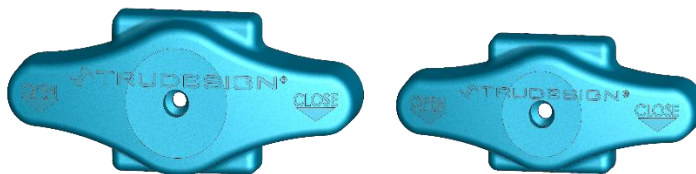
BALL VALVE SPANNER

Part #	Description
90476	Spanner Ball Valve ½"
90477	Spanner Ball Valve ¾" & 1"
90478	Spanner Ball Valve 1¼" & 1½"
90479	Spanner Ball Valve 2"



REPLACEMENT T HANDLE

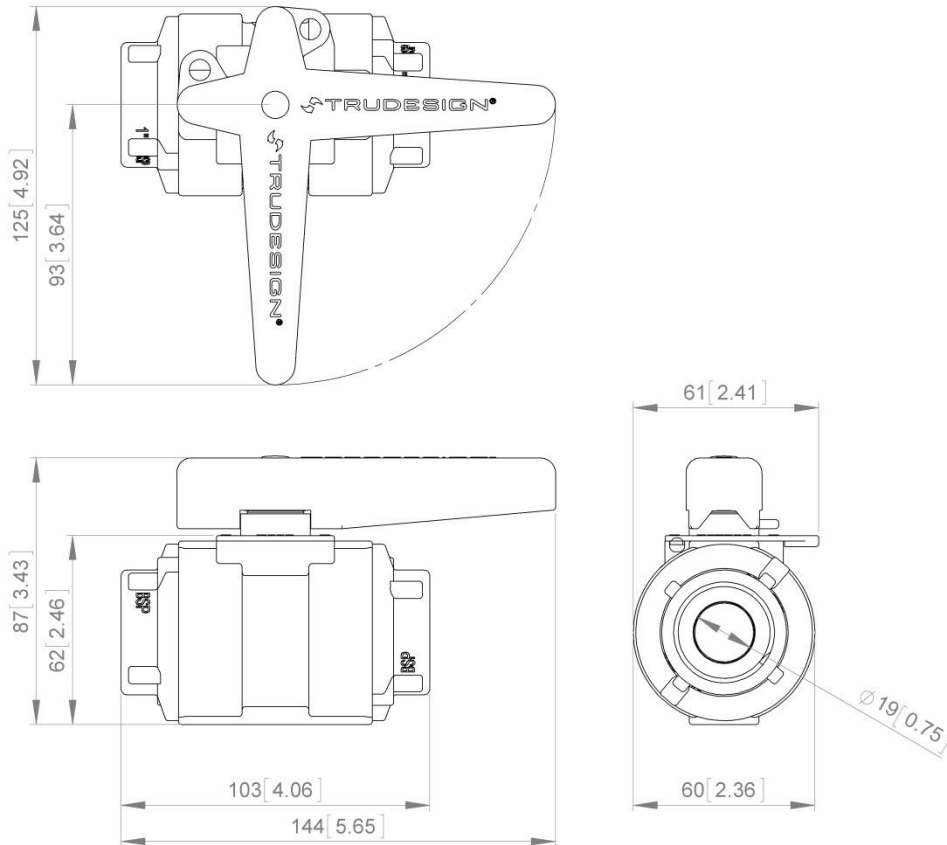
Part #	Description
91038	Replacement T handle Small – 25mm, 19mm, 13mm (1", ¾", ½")
91040	Spanner Ball Valve ¾" & 1" – 50mm, 38mm, 32mm (2", 1½", 1¼")



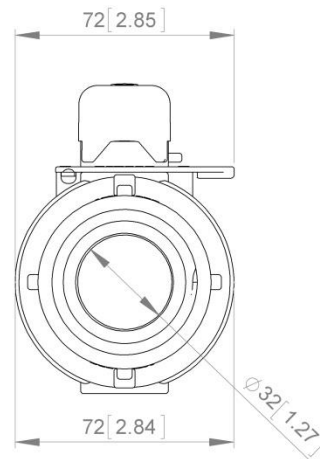
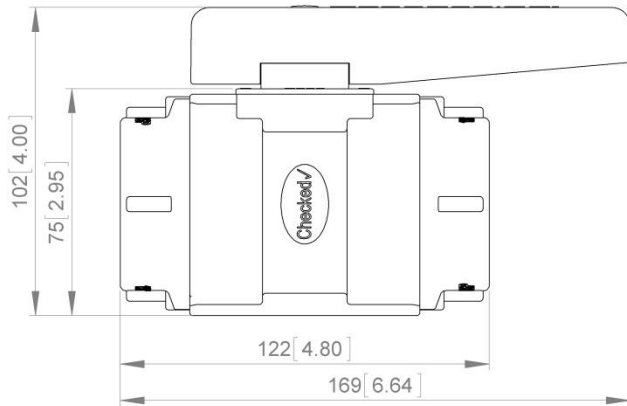
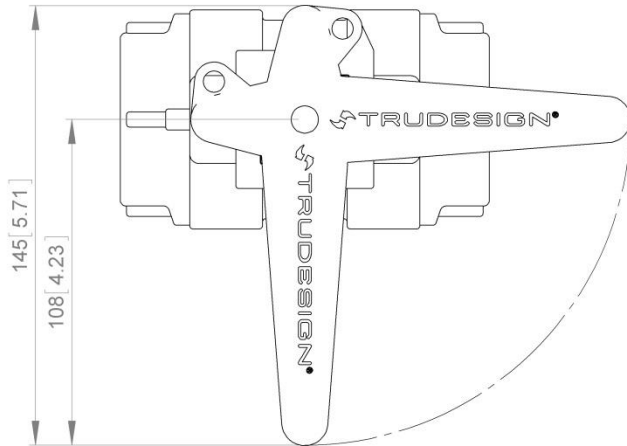
DIMENSIONS

All dimensions nominal.

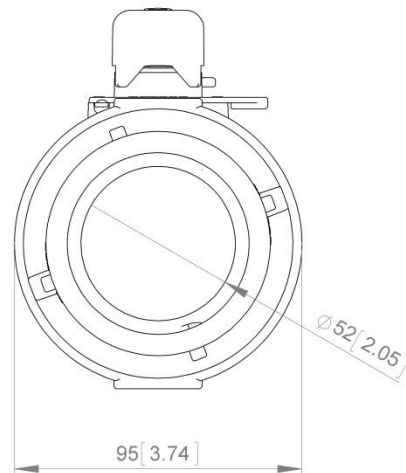
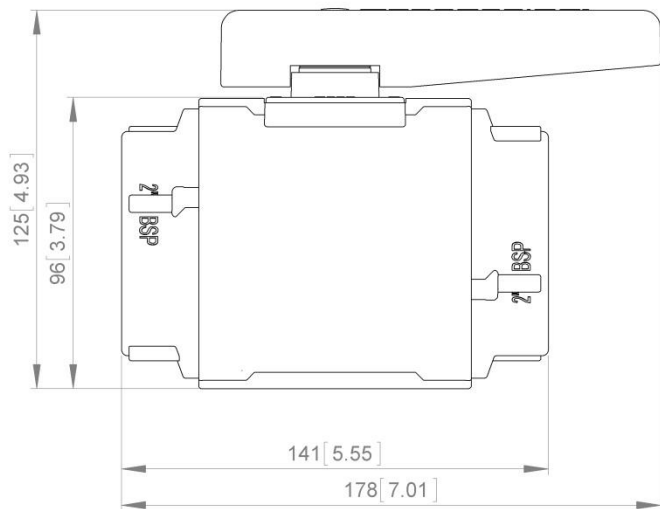
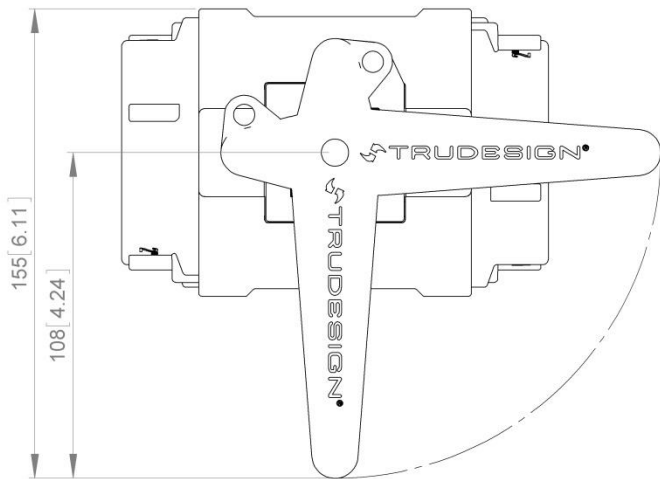
19mm [$\frac{3}{4}$ "] ID $\frac{1}{2}$ " BSP, $\frac{3}{4}$ " BSP, 1" BSP
 $\frac{1}{2}$ " NPS, $\frac{3}{4}$ " NPS, 1" NPS



32mm [1¼"] ID 1¼" BSP, 1½" BSP
 1¼" NPS, 1½" NPS



52mm [2"] ID 2" BSP
 2" NPS



The information contained in this information sheet is for general information purposes only. The information is provided by TRUDESIGN™ and while we endeavour to keep the information up to date and correct, we make no representations or warranties of any kind, express or implied, about the completeness, accuracy, reliability, suitability or availability. Any reliance you place on such information is therefore strictly at your own risk.