

# Universal

## Freshwater Pressure Pump Range

Delivers smooth constant water flow  
runs dry without damage



Reliable performance  
high spec motor

Extra protected electrics  
built in wiring and  
pressure switch

Product code: see table

Easy inspection  
clear strainer

Easy maintenance  
strainer with clear  
lid for inspection prevents  
debris from entering  
the pump

Straight forward installation  
connects directly to Whale  
Quick Connect 15mm  
Pipework. Fittings also  
included to easily connect to  
 $\frac{3}{8}$ " or  $\frac{1}{2}$ " hose

Smooth constant flow  
4 diaphragm design  
provides consistent flow

This product is protected by the following granted patents: United States Patent No. US 6,840,745; Canadian Patent No. 2 380 465; United Kingdom Patent No. GB 1 222 392; French Patent No. FR 1 222 392; German Patent No. DE 60018089.1 (EP/DE) 1 222 392; and Italian Patent No. IT 1 222 392.

# Features and Benefits

## WHY Universal?

- Runs dry without damage
- Self-priming up to 3 m (10 ft)
- Smooth constant flow
- Quiet operation
- Extra protection and safety with wires and pressure switch housed internally
- Universal mounting arrangement fits any existing installation
- Suitable for use with saltwater and freshwater
- Easy installation - suitable for 15 mm Quick Connect plumbing direct connection

## 2 Year Warranty

## Awards and Accreditations

- EMC compliant
- CE marked
- ISO8846

## COMPLETE YOUR SYSTEM

Freshwater system accessories such as water filters, surge dampers and pipework connections

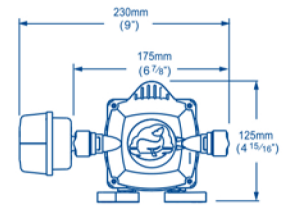
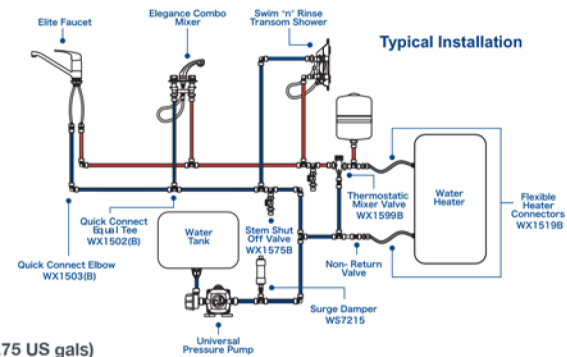
## YOU MAY ALSO LIKE

- Whale water filters
- Fresh IC freshwater power shower pump with intelligent control built in
- Whale Quick Connect plumbing - Pipework and fittings

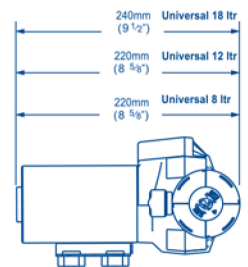
## Product Information

### Model Specifications

Model	8 ltrs (2.2 US gals) Model		12 ltrs (3.2 US gals) Model			18 ltrs (4.75 US gals) Model		
	UF0812	UF0815	UF1212	UF1214	UF1215	UF1225	UF1815	UF1825
Open Flow Rate per Minute	8 ltrs (2.2 US gals)		12 ltrs (3.2 US gals)			18 ltrs (4.75 US gals)		
Voltage	12 V d.c.					24 V d.c.	12 V d.c.	24 V d.c.
Recommended Fuse Size	5 amp		8 amp	4 amp	12 amp	8 amp		
Weight	2.4 kg (5.3 lbs)					2.9 kg (6.4 lbs)		
Hose Connections	Whale Quick Connect 15 mm Female For 1/2" Flexible Hose Use WX1584 (supplied with pump) For 3/8" Flexible Hose Use WU1215 + WU1280 (not supplied with pump)					3/4" Male Threaded Connections		
Connection to Quick Connect 15 mm Plumbing	NO ADAPTOR REQUIRED For Other Systems - Contact Whale					For Whale Quick Connect 15 mm Use WX1542 (not supplied with pump)		
Additional Fittings	1/2" BSP Male Adaptors WX1587 x 2 (supplied with pump) 1/2" Flexible Hose Adaptors WX1584 x 2 (supplied with pump)					3/4" Flexible Hose Adaptors x 2 (supplied with pump)		
Minimum Wire Size	2.5 mm <sup>2</sup> (13 AWG)							
Cut Out Pressure	1 bar (15 psi)	3 bar (45 psi)	1 bar (15 psi)	2 bar (30 psi)	3 bar (45 psi)			
Materials	Pump Body: Glass-filled Polypropylene, Motor Casing: Aluminium, Power-coated Steel Diaphragm, Valves, Feet: Monprene®, Seals: Nitrile®, Fasteners: Stainless Steel							
Materials in Contact With Fluid	Glass-filled Polypropylene, Monprene®, Nitrile®, Stainless Steel							
Service Kits	AK1316 - Replacement Head AK1317 - Microswitch AK1319 (Freshwater) / AK1329 (Saltwater) - Replacement Strainer							
Maximum Suction Lift	3 m (10 ft)							
Maximum Discharge Head	10 m (33 ft)	30 m (98 ft)	10 m (33 ft)	20 m (66 ft)	30 m (98 ft)			



Front View



Side View

Note: These specifications are retail items only.

For details of our bulk pack range for boat builders and wholesalers - contact Whale Support.

**STATEMENT OF LIMITED WARRANTY**

The products manufactured and supplied by the Company ("Products"), are warranted to be free from material defects in design, workmanship and material under normal use ("Defects") for (unless otherwise extended in advance in writing by the Company) a period of 12 months from date of purchase, save that this warranty shall not apply where the Defect is attributable to defective materials supplied by third parties. In such event, the only remedy of the buyer of the Products ("Buyer") will be against that third party.

This warranty applies only to Products that are properly installed and used in accordance with all oral and written maintenance and operation instructions provided by the Company. The Company shall not be liable for a breach of any of the warranties in this Statement of Limited Warranty if the Buyer makes any further use of the Products after giving the Company notice of any Defect or the Buyer alters or repairs such Products without the written consent of the Company. Products that have been disassembled or modified (without prior written approval of the Company), are not covered by this warranty.

All Products are covered by a 1 year limited warranty (detailed below) from (unless otherwise extended in advance in writing by the Company) date of purchase ("Standard Warranty"). In addition to the Standard Warranty, some individual Products are covered by a further warranty, as detailed in Table 1 below ("Additional Warranty").

In the event that any of the warranties offered by the Company are breached, the Company shall (at its discretion) repair, replace or issue a spares kit for the defective Product subject to prior examination at Company premises. If the Company complies with this paragraph, it shall have no further liability for a breach of the warranties in respect of such Products. Adjustment or replacement of defective parts made under this warranty will not extend the warranty period applicable either under the Standard Warranty and/or the Additional Warranty.

The Company shall not bear any costs of removal, installation, transportation, or other charges that may arise in connection with a warranty claim by the Buyer. Such costs shall be the Buyer's sole responsibility. No claim in respect of defective Products will be valid unless the alleged defective Products are returned at the Buyer's expense to the Company for inspection, together with proof of purchase. Non-stock/ special order items are non-returnable by the Buyer in any circumstances, and this warranty does not apply to prototype models.

**EXCLUSIONS:**

The Company shall not be liable for any indirect loss or for any special, incidental, punitive or consequential damages suffered by the Buyer and/or any third party, whether this loss arises from breach of a duty in contract or tort or breach of a statutory duty or in any other way, including, without limitation, loss arising from the negligence, default, breach of duty, non-delivery, delay in delivery or defects or errors in the work undertaken by the Company pursuant to the terms of this Statement of Limited Warranty or in connection with any other claim arising in connection with manufacture and/or supply of the Products.

In particular, the Company shall not be liable (without limitation) for:

- Loss of profits, increased production costs or other economic injury or loss;
- Loss of contracts or opportunity; and/or
- (insofar as is permitted by applicable law) damage to property of the Buyer or any third party.

The Company shall under no circumstances be liable for any breach of its obligations hereunder and/or under any contract governing sale and purchase of the Products ("Contract") resulting from causes beyond its control including but not limited to fires, strikes, lockouts, insurrection or riots, terrorism or civil disorder, embargoes, wrecks or delays in transportation, requirements or regulations of any governmental authority, tempest, earthquake or other natural disaster, flood, bursting or overflowing of water tanks, failure or shortage of power, fuel or other utilities, or loss of data and/or communications due to causes such as those referred to in this paragraph.

© 2015 WHALE. All rights reserved. Reproduction in whole or in part without permission is prohibited. Whale®, Gusher®, Gulper®, Babyfoot® Whale Twist®, Deck Protect®, Smartbail®, Whale Watermaster®, Watermaster®, Whale IC® and Whale IC device® are registered trademarks of Munster Simms Engineering Limited. Whale reserves the right to change specification without notice. Illustrations are for guidance purposes only. All Water heaters and cooking appliances must be installed by a qualified electrician.

Please note that by contacting Whale Support you will be indicating your consent to receiving product updates, recall information, help guides and appropriate marketing messages from us via post, email or telephone unless you indicated an objection to receiving such messages.

Santoprene® is a registered trade name of Advanced Elastomer Systems, LP, an Exxonmobil Chemical Affiliate Delrin®, Teflon® and Neoprene are registered trade names of Dupont Neumeurs and Co. Monprene® is a registered trade name of Technore Apex

Powerboat photography courtesy of Fairline Boats PLC and Riviera Yachts.

This statement sets out the Company's entire liability in respect of the Products and the Company's liability under this statement shall be in lieu of all other warranties, conditions, terms and liabilities, express or implied, statutory or otherwise howsoever except any implied by law which cannot be excluded. All warranties, conditions and other terms implied by statute or common law (save for the conditions implied by section 12 of the Sale of Goods Act 1979) are, to the fullest extent permitted by law, excluded from the Contract.

Subject to the remaining provisions of this Statement of Limited Warranty, the Company's total liability in contract, tort (including negligence or breach of statutory duty), misrepresentation, restitution or otherwise, arising in connection with the performance or contemplated performance of the Contract and supply of the Products shall be limited to the Contract price.

Nothing in this Statement of Limited Warranty shall operate so as to exclude or restrict the Company's liability for death or personal injury caused by its negligence. The Company shall NOT be liable for any condition, warranty or representation made by a distributor or other person acting on behalf of the Company unless expressly confirmed by the Company in writing. This Statement of Limited Warranty shall be governed and construed in accordance with Northern Irish law and all disputes arising in connection hereto shall be submitted to the exclusive jurisdiction of the Northern Irish Courts.

**Table 1 - Total Warranty Period (including standard warranty)**

Product type	2 years	3 years	5 years	10 years
Automatic Pressure Pump *	✓			
Chromed Metal Taps (TT)	✓			
Whale Water Heaters **	✓			
Whale Cooking Appliances **	✓			
Smartbail Bilge Pump		✓		
Orca Bilge Pump ***		✓		
Supersub Bilge Pump ****		✓		
Space Heater / Caravan Water Heater *****		✓		
Manual Bilge Pump			✓	
Manual Freshwater Pump			✓	
Manual Toilet Pump			✓	
Quick Connect Plumbing fittings				✓
WhaleX Tubing				✓

\* The Gulper 320 has a 3 year warranty and the Gulper 220 has a 2 year warranty. All other Gulpers are covered by a 1 year warranty

\*\* Applies to all Whale models manufactured in USA

\*\*\* Applies to BE: 0500, 0950, 1450 & 1454 only. All other Orca variants have a 1 year warranty.

\*\*\*\* Applies to SS5012, SS5022, SS1012 and SS1024 only. All Supersub Smart models have a 1 year warranty.

\*\*\*\*\* Applies to Whale models manufactured in Northern Ireland - models WH\*\*\*\* and WW\*\*\*\*

Note that these periods may be further enhanced through special offers, or revisions. Please see your product documentation for details.

**DISCLAIMER**

All Products are rated and appropriate for use with water unless otherwise specified All Products are rated and appropriate for use with water unless otherwise specified by the Company. Compatibility and suitability for other liquids should be verified in writing by the Company prior to such use. All specification information on Products included in Product literature is based on tests using clean cold water unless otherwise specified. Any performance / specification figures shown have been calculated using standard testing procedures. Where maximum output is stated, such maximum output refers to pumps acting at zero lift and zero head. Actual performance may vary depending on the application, installation and environmental factors. Neither the accuracy nor completeness of the information contained in any Product brochure is guaranteed by the Company and may be subject to change at its sole discretion. The Company may, at its sole discretion, change the technical performance, dimensions or appearance of any of its Products without prior notification to purchasers. The Company shall not be liable to a purchaser for any indirect or consequential loss or damage (whether for loss of profit, loss of business, depletion of goodwill or otherwise), costs, expenses or other claims for consequential compensation whatsoever (howsoever caused) which arise out of or in connection with the use of a Product. Where dimensions are stated, such dimensions are for guidance only. Inch measurements are conversions from millimetre dimensions and are shown to the nearest 1/16". US gallons volumes are conversions from litres and are also shown for guidance purposes only to the nearest 1/16. Please contact the Company directly if precise measurements are required.



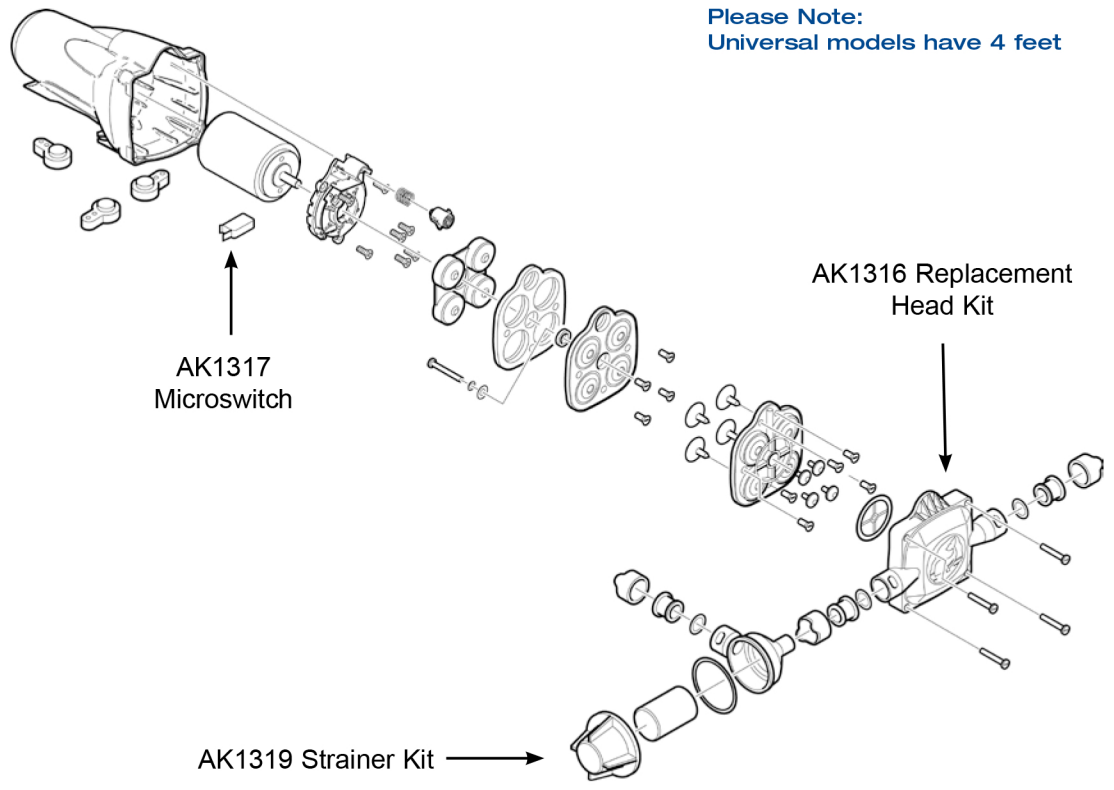
# Electric Galley Pump Range

## Watermaster and Universal

### Watermaster - Automatic Pressure Pump Range

### Universal - Washdown Pressure Pump

FW0814, FW1214, FW1215, FW1225  
UF1815, UF2014, UF2015, UF8015, UF8025 Introduced 2005.



Note: UF models replaced UP codes. UF models come with Quick Connect 15mm heads. This head can be retrofitted to UP models using Service Kit AK1316. The 8ltr and 12ltr Universal Pressure Pump models (UF0812, UF0814, UF1212, UF1214, UF1215, UF1225) have been directly replaced with the Watermaster Pressure Pump Range (FW0814, FW1214, FW1215, FW1225).

### Service Kits

#### AK1316 Service Kit for Pump Head

**Qty** 1 **Containing** Replacement head (includes front cover). Also retrofits to obsolete UP or UF style Universals, or WD Washdown kits



AK1316



AK1317

#### AK1317 Universal Microswitch Kit

**Qty** 1 **Containing** Microswitch

#### AK1319 Replacement Strainer

**Qty** 1 **Containing** Strainer

#### AK1329 Replacement Strainer for Saltwater use



AK1319/ AK1329