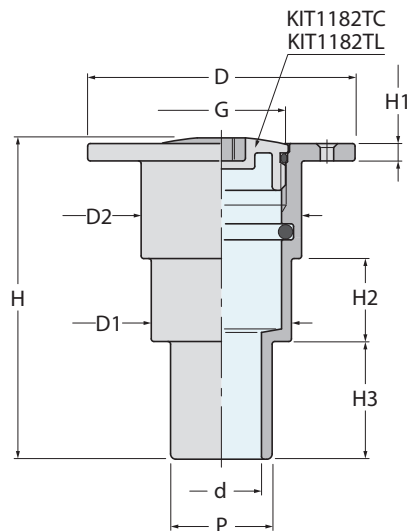


# tappi imbarco e tappi scarico deck fillers and pump-out

## 1182

**Pump out**  
Pump out

**Conforme alla norma**  
Compliant with  
**ISO 8099-1: 2018**



FILETTATURE / THREAD :  
G = ISO 228/1 (BS 2779)



**Ottone cromato** ■  
Chromium-plated brass

**1182L**



**Ottone lucido** ■  
Polished brass

**1182** ■

**1182L** ■

Weight (gr) 1040

H 120

H1 6

H2 31

H3 44

D 100

D1 51

D2 60

d 30

P 38

**G 1"1/2**