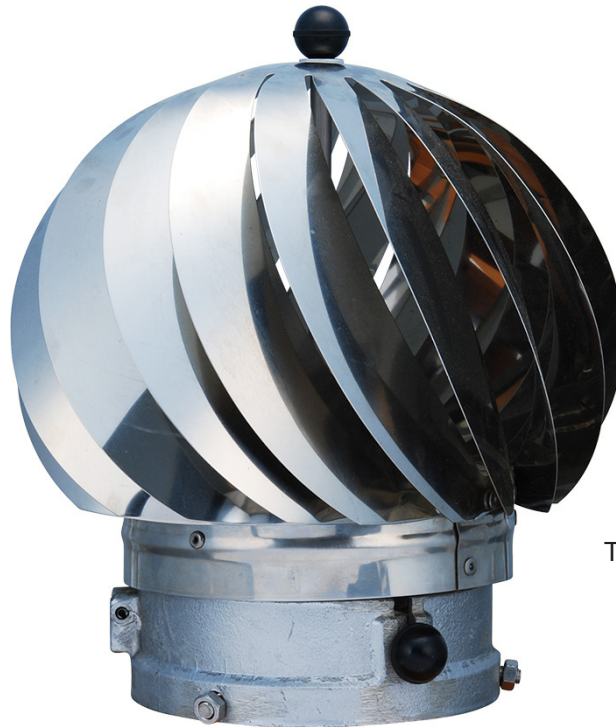


# ASPIROMATIC®

## Instruction notice



Type 240

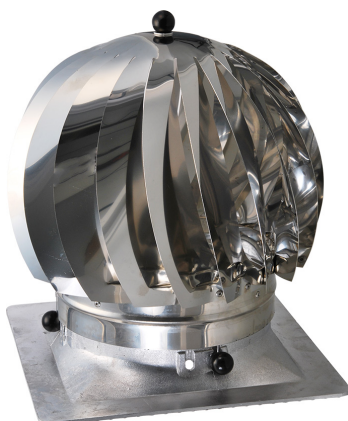
### Rotary ventilator ASPIROMATIC stainless steel

Rotating stainless steel vent that can also be used as exhaust vent for all oven types, protects against backdrafts and supports the correct draft of the chimney. In wood oven only dry wood (below 20% moisture) may be burned. Otherwise the wood tar may damage the vent.

The (folding) extraction fan runs on ball bearings and is propelled by the wind. The flange is made of a light DURAL-INOX alloy.

Available is also a version 240 C with a square ground plate (330 x 330mm).7

The enclosed attachment bolts allow mounting on pipes of varying diameters.

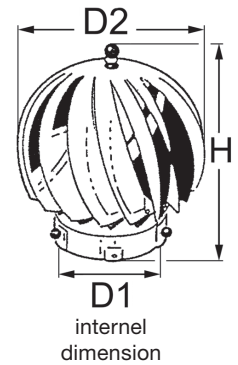


Type 240 C

## Dimensions

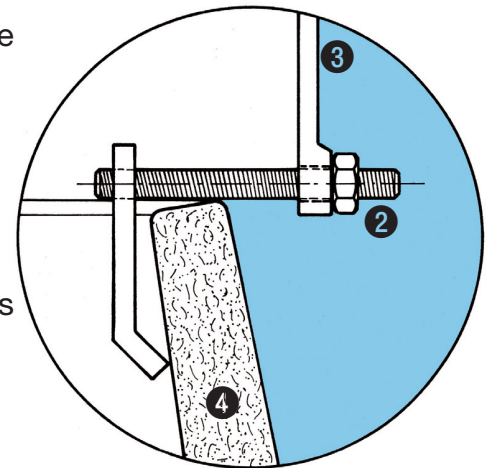
| TOPLICHT Art-Nr. | ASPIROMATIC Type | Basis Form | D1 mm | Rohr-Ø mm           | D2 mm | H mm | Air exchange         |
|------------------|------------------|------------|-------|---------------------|-------|------|----------------------|
| 1836-160         | 160              | round      | 160   | 80-160              | 295   | 315  | 125m <sup>3</sup> /h |
| 1836-200         | 200              | round      | 190   | 112-190             | 320   | 330  | 225m <sup>3</sup> /h |
| 1836-240         | 240              | round      | 227   | 150-227             | 350   | 385  | 315m <sup>3</sup> /h |
| 1836-241         | 240C             | angular    | 227   | 200x200 bis 250x250 | 350   | 385  | 315m <sup>3</sup> /h |

Output data based on 10 to 30 km/h wind velocity.



## INSTALLATION OF MODELS 160, 200, 240 AND 240C

- Remove the device from its box, grasping it by its black knob. DO NOT PICK IT UP BY THE BLADES OF THE VANE, AS THE EDGES ARE SHARP AND MAY CAUSE INJURY.
- Take the fixing brackets and the threaded rods and the nuts **2** out of the bag..
- Position the threaded rods on the brackets as indicated in the drawing opposite.
- Turn the device around, insert the threaded rods from the inside into the three holes provided **3** in of the base ring, and fit the nuts on the threaded rods outside the base ring.
- Open the device by slightly loosening the 2 small black knobs at the base of the circle.
- Place the vent on its support **4** (chimney top, flue pipe, etc.) with the fixing brackets hanging down inside the flue.
- Centre the device and tighten the nuts fully to lock the brackets onto the support. Tighten moderately to avoid breaking the support. Only fit the device to a support in good condition. Installation is suitable for all materials that are sufficiently soft to provide a good grip for the fixing brackets, and therefore hold the device firmly in place. If this is not the case, or in very windy regions, drill Ø 8 mm holes in the support so that the threaded rods can pass through.



ASPIROMATIC type 240 mounted on a plastic pipe