

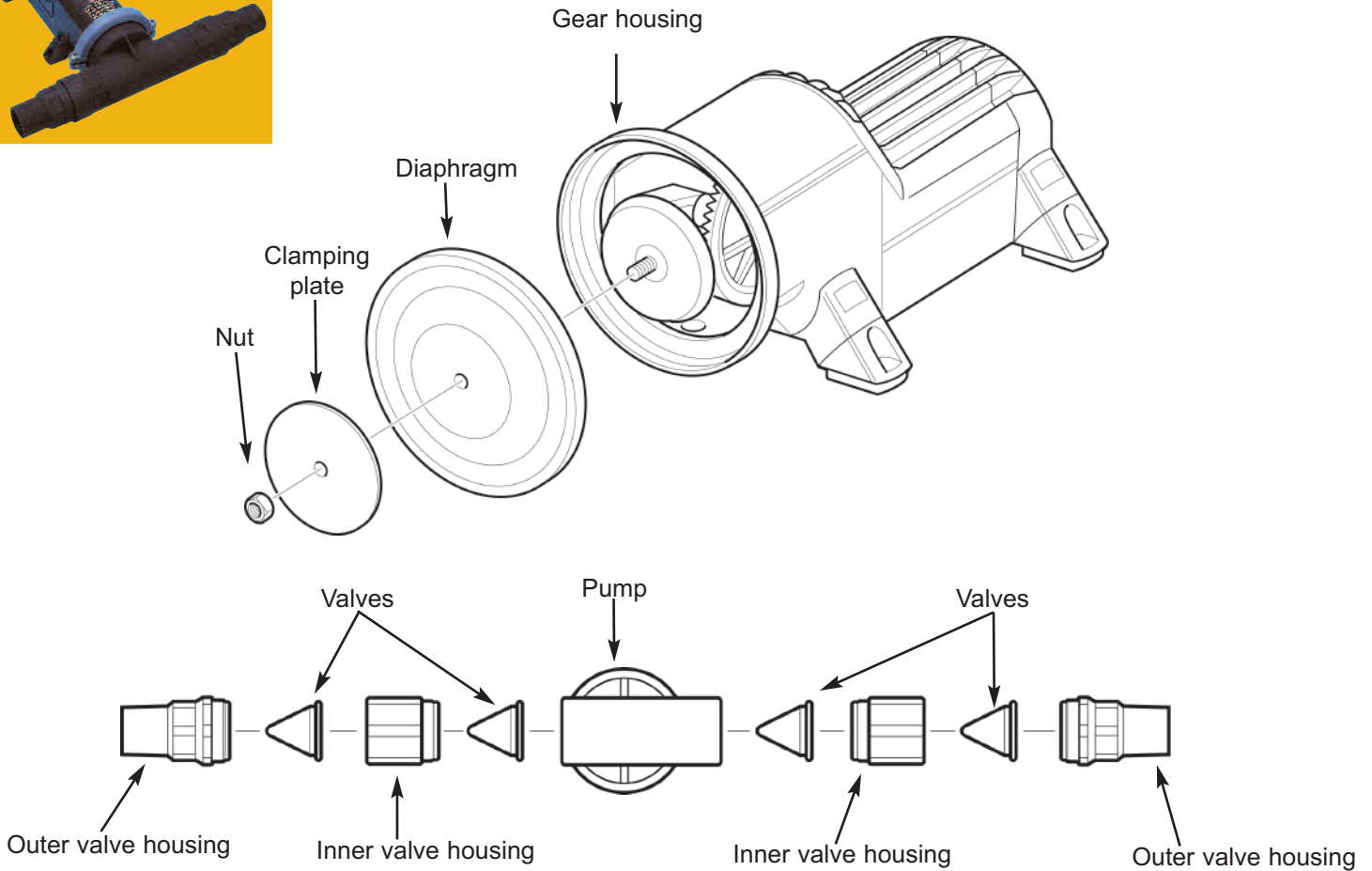


Electric Toilet Waste Pumps

Gulper® Toilet Waste Pump

BP2552B (12V d.c.), BP2554B (24V d.c.) - Pump Designed to Manage Unmacerated Toilet Waste

Note* Contained in Service Kit AK1557



Accessories

- DV5606 1 1/2" Diverter Valve
- EB3488 1 1/2" Elbow
- YP6114 1 1/2" Y Piece

Service Kits

AK1557 with Set of Serviceable Parts for Gulper® Toilet Pump

Qty	Containing
1	Diaphragm
4	Inlet/outlet valves

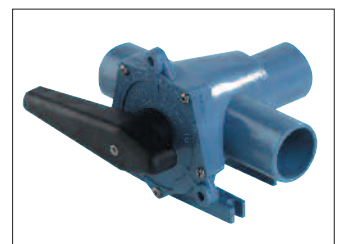
AS1562 Clamping Ring Kit



AK1557



AK1562



DV5606



EB3488



YP6114