

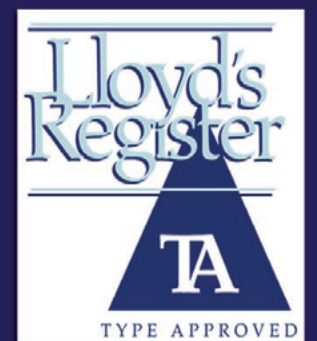


# Wavestream<sup>TM</sup>



## ***Bilge Water Filter Systems***

*Effective control and prevention  
of oily water discharge*



**LLOYDS TYPE APPROVED  
BILGE WATER FILTER  
SYSTEMS**

*Wavestream prevents the discharge of oily bilge water into our seas and waterways.*

*Used by powerboats, yachts, superyachts, fishing boats, lifeboats, pilot and patrol boats, canal boats, ferries and ships.*

*Inevitably bilge water can contain fuel, lubricating oil, grease, hydraulic and gear oil.*

*The International Convention for the Prevention of Pollution (MARPOL)*

*states the allowable level of oil in discharged bilge water is between 0 ppm and 15 ppm.*

*A single drop of diesel oil in a litre of water is approximately 40 ppm!*

**Wavestream™**



**Wavestream Micro System (WMS)**

Developed for small day boats or where there is very little space available. The mounting bracket is attached to the housing with the hose connections making bowl removal easy in tight spaces.



**Wavestream System 1 (WSS1)**

Developed for powerboats and yachts up to around 15 meters. In this size of boat the cartridge will easily last 6 months in normal service. If accidental oil spillage occurs heavy contamination should be removed to preserve cartridge life.



**Wavestream System 2 (WSS2)**

Very popular for all boats over 15 meters, used by prestige powerboat, yacht and Superyacht builders and in small commercial vessels.

Required bilge pump head to be a minimum of 4 meters.



**Wavestream System 3 (WSS3)**

The WSS3 is used in larger boats and Superyachts. Megayachts and ships often use multiple sets of the Wavestream System 2 & 3 or choose from our range of stainless steel housings. The WSS3 Gives twice the cartridge life as a WSS2 in the same application.

Required bilge pump head to be a minimum of 4 meters.

**Effective and long lasting**

The Wavestream cartridge uses a unique filter media developed to remove even the smallest trace of oil.

Due to the high efficiency and capacity of the cartridge the removal of fuel, oil and grease is not affected by the flow rate of the bilge water. Therefore the four systems cover a wide range of different types of craft from day boats to ships and tankers.

The Wavestream filter is simply installed in the system after the bilge pump, ensuring only clean, oil free water is pumped overboard.

Cartridge change out should become part of a regular maintenance schedule and changed at least once every season or after six months usage.

Some craft have bilge water monitors showing the contamination level in the pumped bilge water, the monitor will indicate when the cartridge should be renewed.



**Stainless Steel Housings**



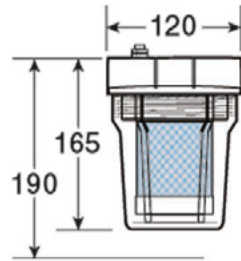
**Lloyds Register of Shipping  
Type Approved**



## Wavestream Specifications

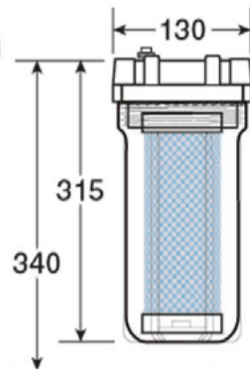
### Wavestream Micro System

Flow rate	1-40 Lt/min
Max. pressure	10 bar
Max. temperature	40 deg. C
Min. temperature	1 deg. C
Connection	3/4" BSP
Cartridge part #	WS-CM



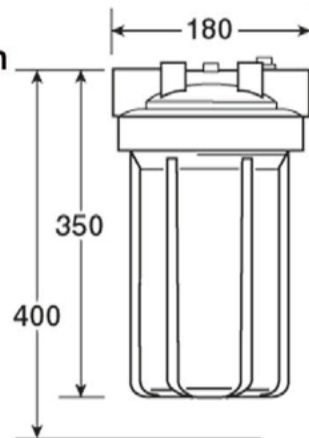
### Wavestream System 1

Flow rate	1-40 Lt/min
Max. pressure	10 bar
Max. temperature	40 deg. C
Min. temperature	1 deg. C
Connection	3/4" BSP
Cartridge part #	WS-C1



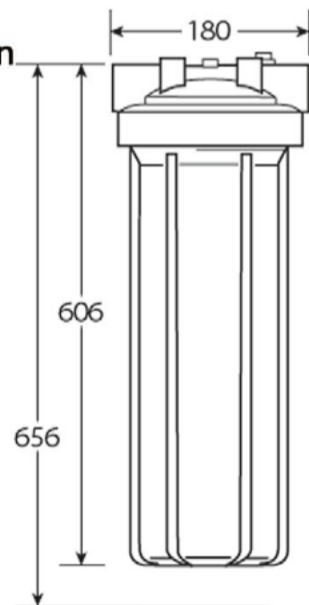
### Wavestream System 2

Flow rate	1-265 Lt/min
Max. pressure	6.8 bar
Max. temperature	37 deg. C
Min. temperature	1 deg. C
Connection	1 1/2" BSP
Cartridge part #	WS-C2



### Wavestream System 3

Flow rate	1-265 Lt/min
Max. pressure	6.2 bar
Max. temperature	37 deg. C
Min. temperature	1 deg. C
Connection	1 1/2" BSP
Cartridge part #	WS-C3



### Stainless Steel Systems

Single and multiple cartridge housings and bespoke systems are available.

Further information on request.

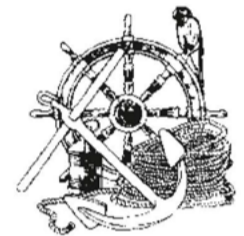


## Wavestream Bilge Filter Systems

**Lloyds Type Approved,  
efficient, effective and  
low cost**

Your local Wavestream stockist:

**TOPLICHT**  
**SCHIFFSAUSRÜSTUNG**



Tel. +49(0)40 88 90 100

toplicht@toplicht.de

Fax. +49(0)40 88 90 1011

www.toplicht.de



Wave International Limited,  
Axholme House, Newton Way, Colsterworth,  
Grantham. NG33 5NP United Kingdom.

Tel.: +44 (0)870 730 2000

Fax.: +44 (0)870 730 2020

email: info@waveinternational.co.uk

web: www.wavestream.co.uk

Wavestream is a Wave International Limited Registered Trademark

Wave International Limited  
Company reg. no. 4073589

**www.wavestream.co.uk**

