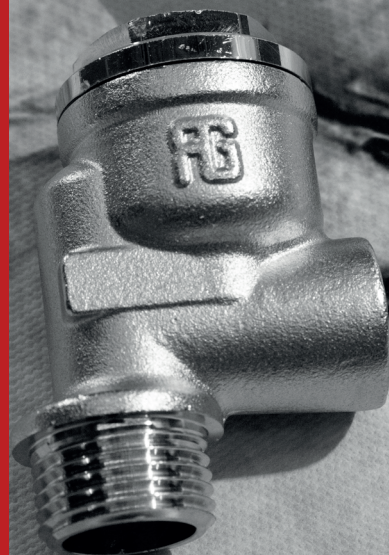


**GUIDI**  
since 1968  
**AG**<sup>®</sup>  
MARINE  
ACCESSORIES

# SIPHONBREAK VALVE

**ART. 1250**

GuidiLAB



# SIPHONBREAK VALVE

## ART. 1250

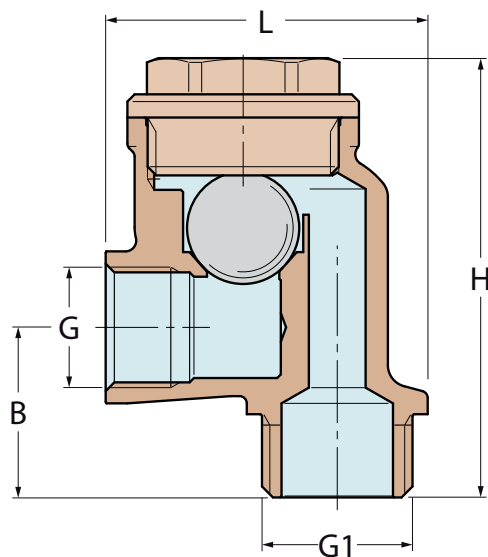


**Siphonbreak valve**, also named **vacuum valve**, is the perfect answer to protect engine from accidental water intakes due to the “syphon effect” of the exhaust outlet.

It is a major importance valve, as with **not-running engine** water could flow inside causing major damages, by flooding the engine.

This will not happen thanks to the **Siphonbreak valve** allowing air in, therefore interrupting the communicating vessels principle.

With running engine instead, under pressure water will be inside the inlet piping and this valve stops it from flowing through.



FILETTATURE / THREAD :  
G = ISO 228/1 (BS 2779)

**1250**

■ Ottone nichelato/Nickel-plated brass

Weight (gr) 180

B 24

L 45

H 61

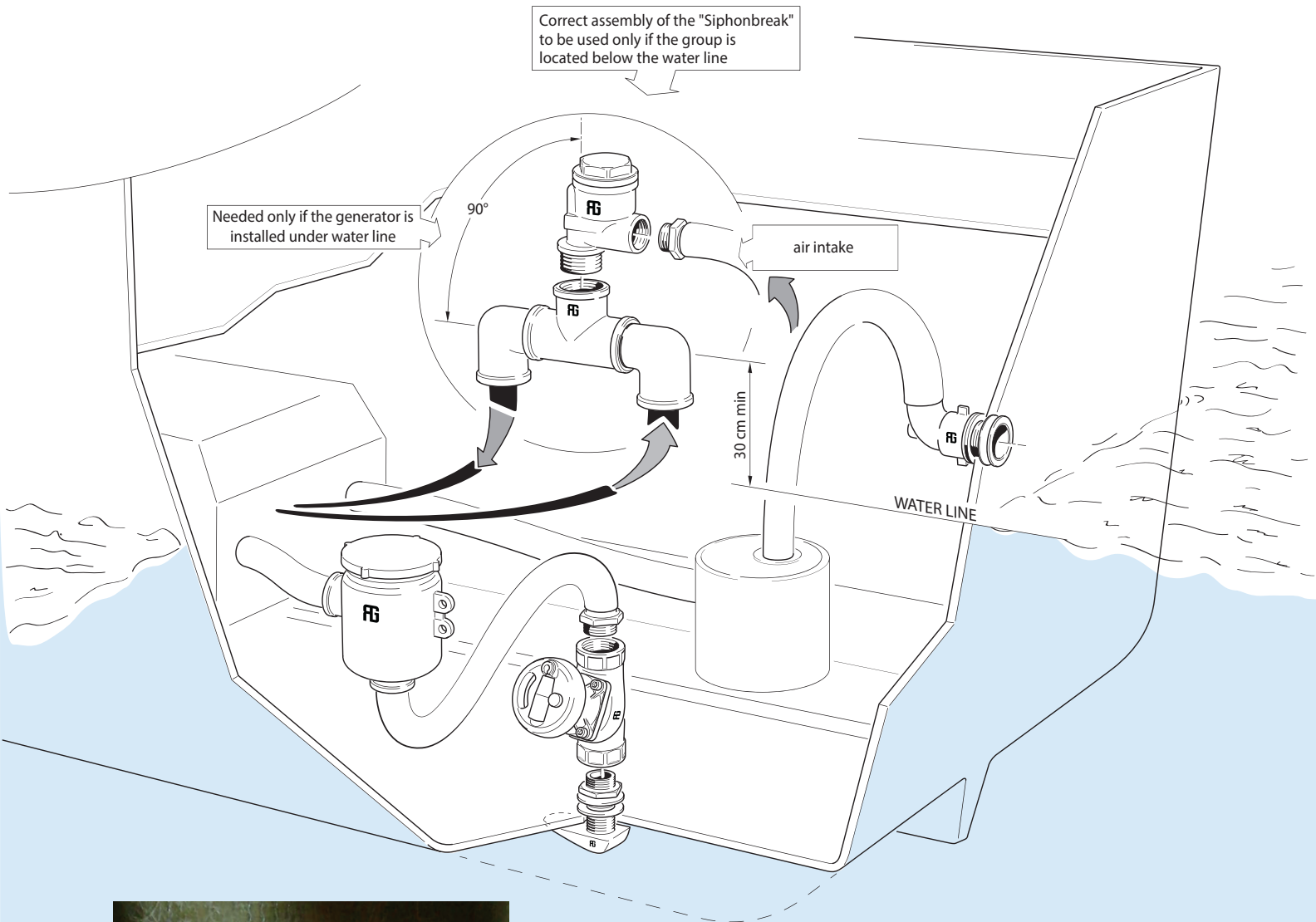
C 3/8"

G1 1/2"



In order to work properly and interrupting the communicating vessels principle, **valve must be installed above water line and above engine.**

**Guidi Siphonbreak valve** is supposed to be installed with three pipes: water IN and OUT (connected with "T" plus two elbows) and air IN, just as shown in the attached picture.



**GUIDI** S.R.L.

SIPHONBREAK VALVE SYSTEM  
INSTALLATION INSTRUCTIONS



Don't forget to share your ideas with us!

---

 Via delle Acacie, 2  
28075 Grignasco (NO) - Italy

 +39 0163 418000

 [info@guidisrl.com](mailto:info@guidisrl.com)

---

 <https://www.guidisrl.it>

 [guidi\\_srl](#)

 [@guidisince1968](#)

 [Guidi srl - Marine Accessories](#)

 [guidisrl](#)

