

Supersub Family

Narrow low profile standard submersible bilge pumps now with higher capacity models. Designed for use with separate bilge switch.

Low profile electric bilge pump designed for narrow bilge spaces. Supersubs fit deep down in small / awkward bilge spaces where other pumps won't.



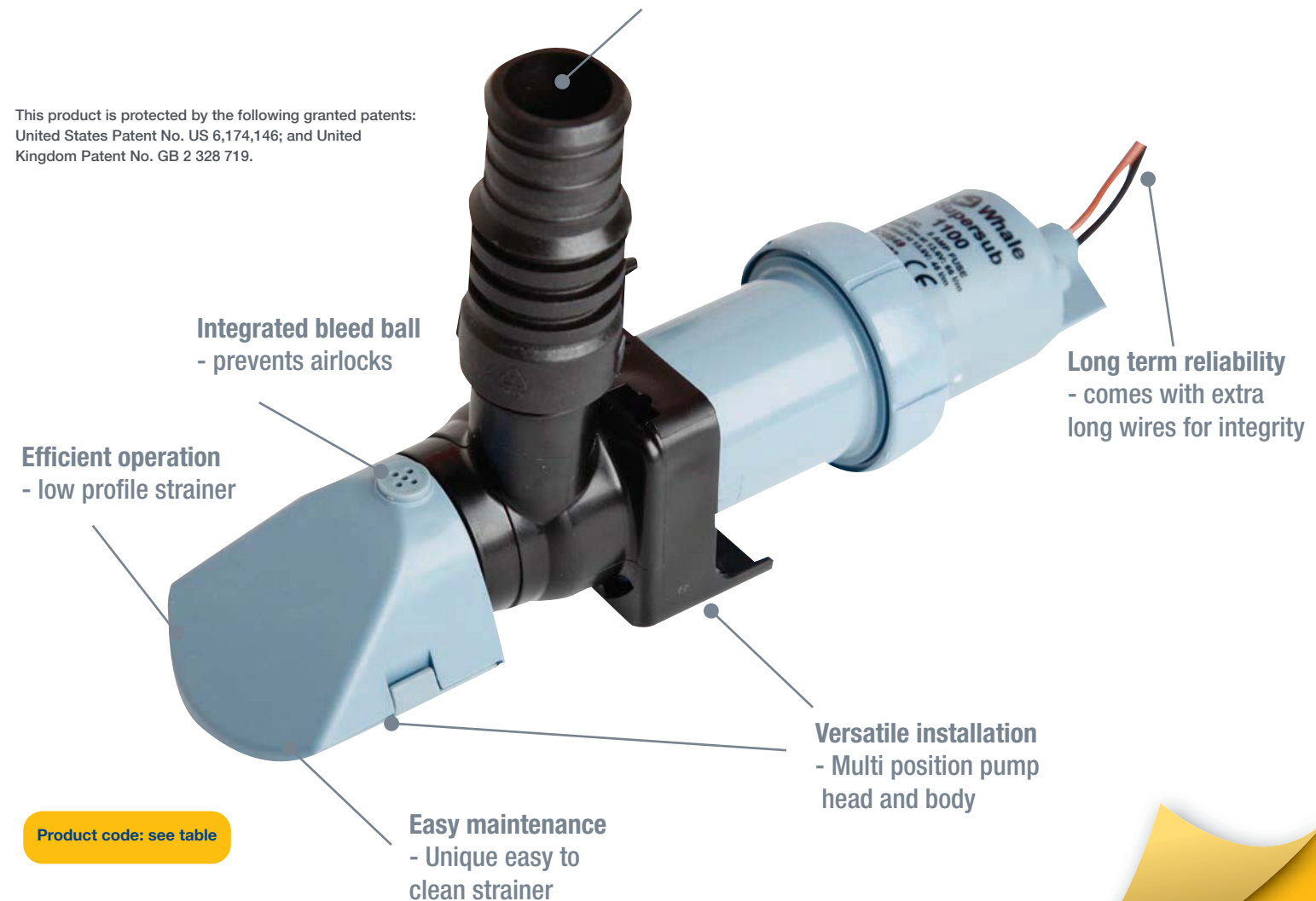
NEW Widest Range Ever

Drains to down 9mm (1/3")

Simple plumbing

- 500 model - 19 mm (3/4") / 650 model - 19 mm (3/4") / 25mm (1")
- 1100 models - 25mm (1") / 28mm (1 1/8") stepped port
- ports can be rotated to suit your installation

This product is protected by the following granted patents:
United States Patent No. US 6,174,146; and United Kingdom Patent No. GB 2 328 719.



Product code: see table

Super Sub 500

Electric Bilge Pump Designed For Narrow Bilges

- Low profile design is ideal for narrow bilges
- Two position outlet hose
- Flow up to 1900 ltrs (500 US gals) per hour
- Very low power consumption
- Easy to clean snap fit assembly
- Leaves the bilge almost dry
- For use with a separate bilge switch (see new switch models BE9001 and BE9002 page 52)

Model Specifications

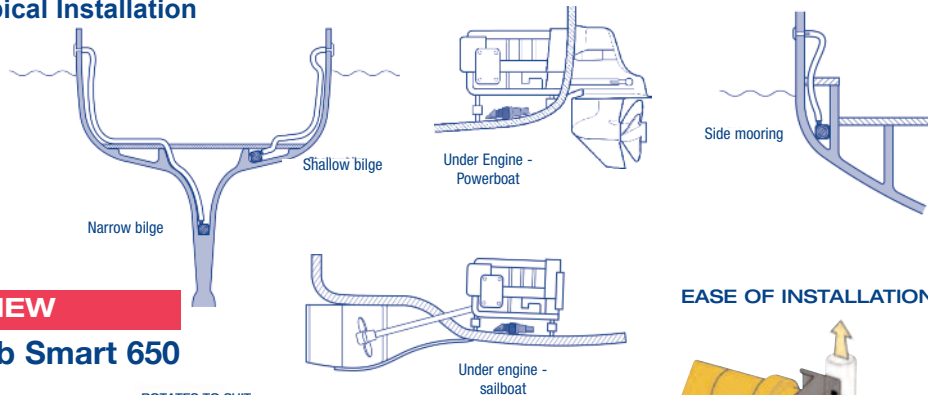
Model	Super Sub 500	New Super Sub Smart 650
Product Code	SS5012	SS5212
Voltage	12 V d.c.	
Recommended Fuse Size	5 amp Automotive	5 amp Automotive
Weight	270g (9 ½ oz)	326g (11 ½ oz)
Hose Connections	19 mm (¾")	
Minimum Wire Size	1.5 mm ² (16 AWG) Caulked Wire	
Materials	Pump Body: Polypropylene, High Temperature ABS, Fully Potted circuitry, Locking Ring - Acetal, Impeller - Glass filled PBT, Seals - Nitrile, Fasteners - Stainless Steel Fully Potted Circuitry - SS5212	
Materials In Contact With Fluid	Polypropylene, ABS, Glass-filled PBT, Nitrile	
Accessories	Switches (page 52) Non Return Valves Skin Fittings (page 45)	

Performance Data

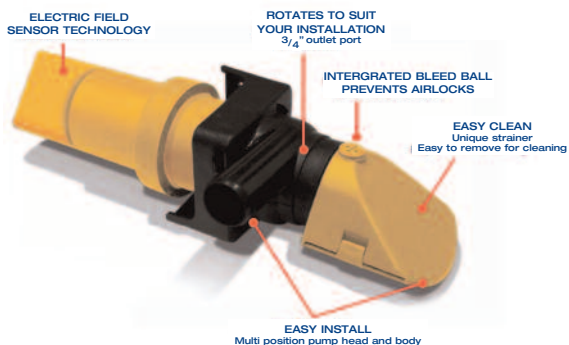
Discharge Head	Flow Rate In Litres (US gals) Per Hour	
	SS5012	SS5212
0 m (0 ft)	1900 ltrs (500 US gals) 2.4 amps	2200 ltrs (600 US gals) 3.4 amps
1 m (3 ft)	1500 ltrs (400 US gals) 2.2 amps	1800 ltrs (500 US gals) 3.3 amps
2 m (6 ft)	925 ltrs (250 US gals) 2 amps	1200 ltrs (300 US gals) 3.2 amps

Note: Super Sub flow rates are expressed in ltrs and US gals per hour.

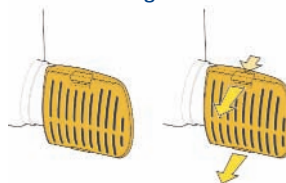
Typical Installation



NEW Super Sub Smart 650



EASY CLEAN
Unique strainer - easy to remove for cleaning



NEW AUTOMATIC MODEL

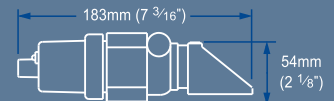
Super Sub Smart 650

Narrow Design Ideal For Tight Spaces, Automatically Senses Bilge Water Level And Switches On And Off

- No Separate Bilge Switch Required
- Quick and easy installation
- Unaffected by wave motion
- Environmentally friendly - mercury free
- Includes manual override facility
- Solid state switching - No moving parts
- Certifications and Standards
- Conforms to ISO 8849 and ISO 15083
- Ignition protected per ABYC and USCG standards
- CE Certified Directive 89/336/EEC - EMC compliant



Super Sub 500
1 Year Warranty



Side View

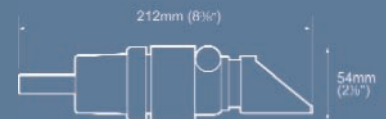


Plan View

NEW



Super Sub Smart 650
1 Year Warranty



Side View



Plan View

AWARD WINNING DESIGN

Supersub Range



Installation Guidelines for:

Standard (separate bilge switch required)

Model Number	SS5012 (B)	Supersub 500 (12V d.c)
Model Number	SS5022 (B)	Supersub 650 (12V d.c) with NRV
Model Number	SS1012 (B)	Supersub 1100 (12V d.c) with NRV
Model Number	SS1024 (B)	Supersub 1100 (24V d.c) with NRV

Automatic

Model Number	SS5212 (B)	Supersub Smart 650 (12V d.c) with NRV
Model Number	SS1212 (B)	Supersub Smart 1100 (12V d.c) with NRV
Model Number	SS1224 (B)	Supersub Smart 1100 (24V d.c) with NRV

Thank you for purchasing this Whale product.

For over 60 years Whale has led the way in the design and manufacture of freshwater, bilge and waste management systems including plumbing, taps, showers and pumps, for low voltage applications. The company and its products have built a reputation for quality, reliability and innovation backed up by excellent customer service. For information on our full product range visit: www.whalepumps.com

CONTENTS

1. Principles of Operation	6. Instructions for use
2. Application	7. Trouble shooting
3. Warning	8. Winterization
4. Optional Extras	9. Service Support & Warranty
5. Installation Instructions	10. Declaration of conformity, standards, approvals

LIST OF IMAGES

Figure 1.	Installation
Figure 2.	Installation Instructions
Figure 3.	Fitting Instructions
Figure 4.	Wiring diagrams
Figure 5.	Plumbing
Figure 6.	Maintenance

To the fitter

Read the following carefully before installation. Check that the product is suitable for the intended application, follow these installation instructions and ensure all relevant personnel read the points below. Also ensure that these operating instructions are passed on to the end user.

WARNING: Please note that incorrect installation may invalidate warranty.

To the user

Read the following instructions carefully.

1. Principles of Operation

All Supersub models, Supersub 500, 650 and 1100 and Supersub Smart 650 and 1100 are uniquely designed, specifically for fast and efficient removal of bilge water from leisure craft. The Supersub range fits into narrow and low spaces that other bilge pumps cannot reach. **SS5012, SS5022, SS1012 AND SS1024 ARE NOT AUTOMATIC PUMPS.** (Please refer to section 4 for the switches and optional extras that can be used with these products).

Supersub Smart 650 and 1100 are automatic. The pump will sense the presence of water and will switch on the pump, turning it off again when the water level has dropped. The switching is solid state hence there are no moving parts. The Supersub Smart models allow waves of water to pass over, without turning the pump on every time, as it has a built in time delay.

2. Application

- The Supersub and Supersub Smart range of products are designed to pump normal bilge water. Output capacity depends on installation and operating conditions. If this product is intended to be used for any other purpose or with any other liquid, it is the user's responsibility to ensure that the pump is suitable for the application and, in particular, that the materials are fully compatible with the liquids to be used.
- This product must only be used in the bilges of leisure craft. If this product is to be used as the sole and/or primary bilge pump, the Supersub 500/650/1100 and Supersub Smart 650/1100 pumps should only be used in boats up to 24m (78.8 ft).
- The bilge water should only be evacuated through a correctly installed skin fitting above the water line of the boat.

3. Warning

- With all applications, it is important that a system of safe working practice is applied to installation, use and maintenance. Ensure the electric supply is turned off and waste water system is drained before installation.
- The Supersub range is designed only for the removal of normal bilge water in leisure boats and personal watercraft (As explained in application). Your warranty may be invalidated if the product is used in other applications or outside the remit of the standards quoted on the packaging and pump body.
- **NOTE:** Bilge pump capacities may not be sufficient to prevent flooding from rapid accumulation of water due to storms, rough weather and/or rapid leaks created by hull damage and or unsafe navigational conditions.
- The pumped water must be evacuated through a skin fitting above the water line (see typical installation diagrams). The Supersub and Supersub Smart range is not for use in systems evacuating water through a skin fitting or seacock below the water line. All pipework must contain a correctly installed anti-syphon valve / loop.
- In order to securely fasten the unit, ensure that the mounting surface is a minimum thickness of 19mm (3/4") (when fitted with the screws supplied). **NOTE Do not** screw directly to the hull - **must be** mounted on a bulkhead or on an additional board.
- **NOTE - DO NOT** unscrew the rear section, as interference with the internal electrics will render the pump unfit for use. - this is a non-serviceable part of the pump.
- **WARNING:** Fire hazard. Wiring must comply with applicable electrical standards and include a properly rated fuse or circuit breaker. Improper wiring can cause a fire resulting in injury or death. Switch off the power while making connections.

4. Optional Extras

LV1219	Non-Return Valve (recommended for SS5012 models) .
BE9003 / BE9006	Automatic, water activated, electronic switch (For use with SS5012, SS5022, SS1012 and SS1024 models).
BE9002	Automatic, water activated, floatswitch (Please see Figure 3, Supersub Automatic System).
SF5131	3/4" Skin fitting (SS5012, SS5022 and SS5212 models)
SF5204	1" Skin Fitting (SS1012, SS1024, SS1212 and SS1224 models)

5. Installation Instructions

See diagrams (page 4)

6. Instructions for Use

SS5012, SS5022, SS1012 and SS1024 - Manual System:

Step 1: When fitted on their own, these pumps **must be** activated by putting the switch into the ON position (Figure 4, Supersub Manual System).
Step 2: The Supersub must be turned off as soon as the water has been evacuated from the bilge, as running the pump when it is dry will shorten the life of the pump.

SS5012, SS5022, SS1012 and SS1024 - Automatic System:

Step 1: When used with BE9002, BE9003 or BE9006 the pump can be left on automatic or switched to manual activation (Figure 4, Supersub Automatic System).

SS5212, SS1212 and SS1224:

Step 1: Set the 3 way switch to Automatic (Figure 4 Supersub Smart 650/1100), the pump will run when necessary. Place fingers over sensor area to check pump is activated, remove fingers and wait for the pump to stop (15 seconds). Check pump regularly to ensure no clogging occurs (Figure 5).

7. Trouble shooting

PROBLEM	POSSIBLE CAUSES	POSSIBLE SOLUTIONS
Limited flow	Blocked or dirty filter and or impeller	Check for blockages in filter/impeller. Clean with warm soapy water (Do not use any chemical cleaning agents)
	Blocked or dirty pipe work and/or connections	Disconnect pump and check flow through pipe work, unblock or clean as necessary
	Narrow pipe work or connections	Replace narrow aperture connections and any crushed or collapsed pipe work
	Low battery power	Check battery level, refill or recharge as necessary
No flow	Completely blocked filter and or impeller	Check for blockages in filter/impeller. Clean with warm soapy water (Do not use any chemical cleaning agents)
	Blocked or dirty pipe work and/or connections	Disconnect pump and check flow through pipe work, unblock or clean as necessary
	Blown fuse	Check above two remedies first. Replace with appropriate fuse
	Flat battery	Check battery level, replace, refill or recharge as necessary
	Incorrectly located sensor	Consult Installation Instructions, available with product or on our website
	Pump failure	Check within 1 year warranty. Contact retailer and replace pump
Runs continuously	Switching error	Faulty on/off switch
		Incorrectly located automatic switch
		Faulty float switch/ electric field switch
	Float switch stuck upright (Manual version)	Check there are no moving bodies within the bilge that may prevent movement of the float
		Ensure free movement of float switch
	Electric field sensor remains activated	Wrong pump orientation, consult Installation Instructions, available with product or on our website
		Check there are no moving bodies within the bilge that may cover the area where the sensor is located
		Sensor too close to pipe work, boat structure or other body of mass
If there is thick debris on sensor - wipe clean		

8. Winterization

Freezing in winter may cause damage to the Supersub range of products. To avoid this damage, ensure water is removed from the bilge on a regular basis especially before and during winter months.

9. Service Support & Warranty

The Supersub range is a non-serviceable product range. Should the pump fail due to mishandling or should the product be outside of its warranty period, the only option is to purchase a new complete unit. For full warranty statement please see document enclosed. Due to extreme conditions found in the bilge of boats, we recommend that your submersible bilge pump is replaced at least every 3 years, this is due to temperature changes and the different chemical environments.

Whale's policy is one of continuous improvement and we reserve the right to change specifications without prior notice.

Illustrations are for guidance purposes only.

Installation Supersub Range

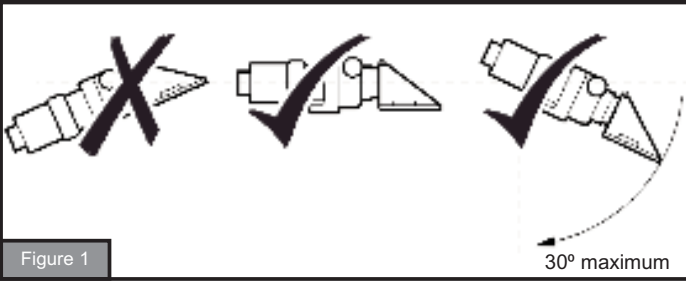
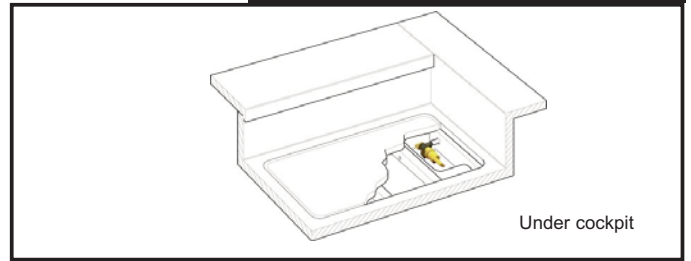


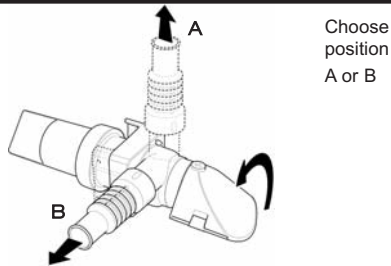
Figure 1

Typical installation

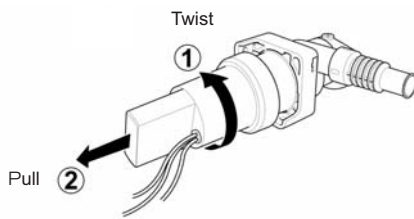


Fitting instructions

Step 1



Step 2



Step 3

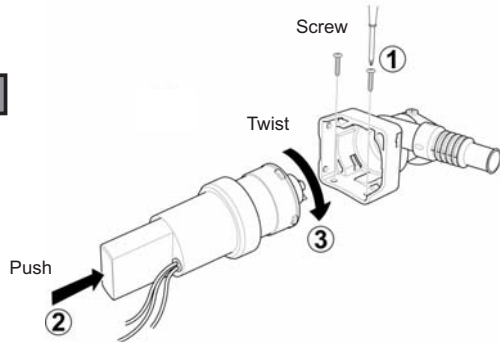


Figure 3 - NOTE: Do NOT screw directly onto the hull

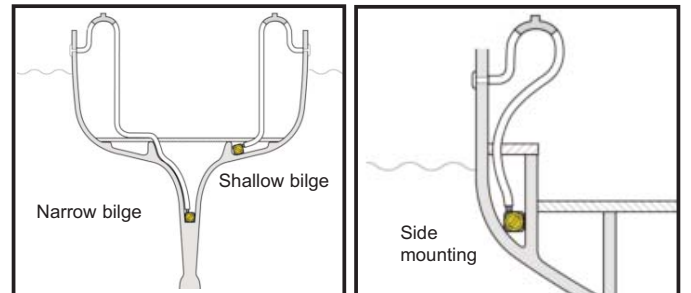
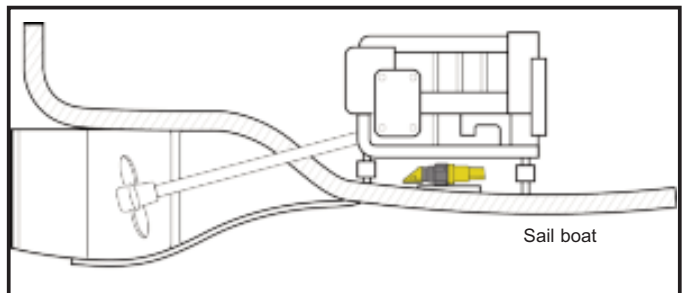
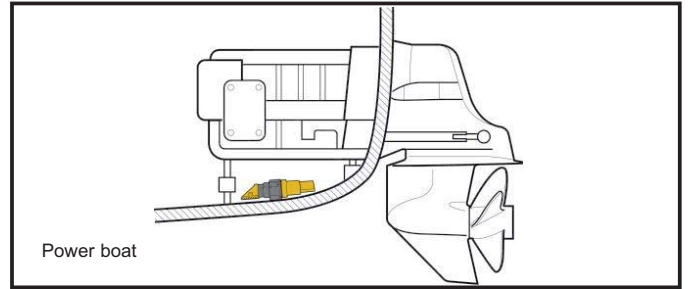


Figure 2

Wiring diagrams

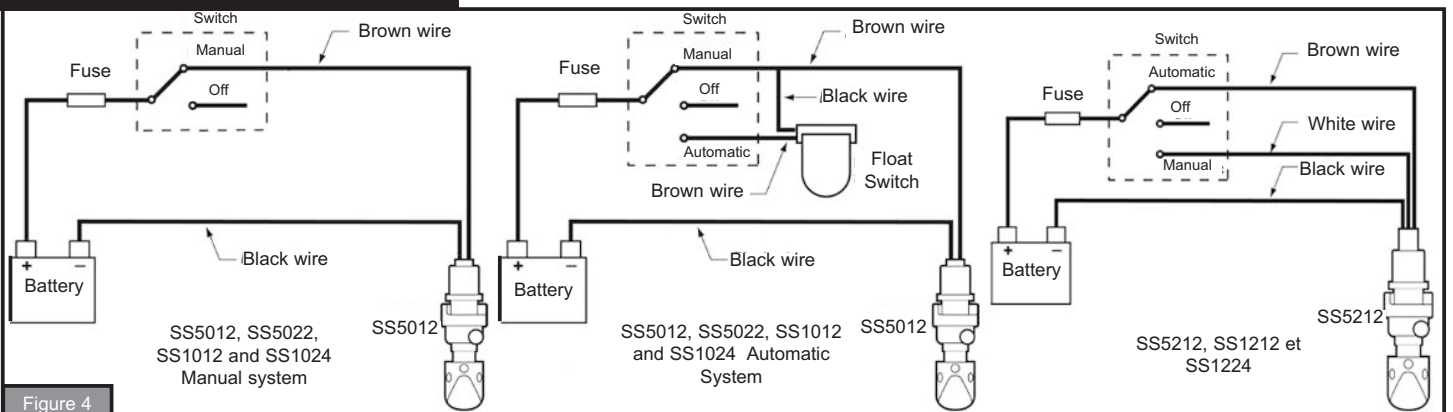


Figure 4

Plumbing

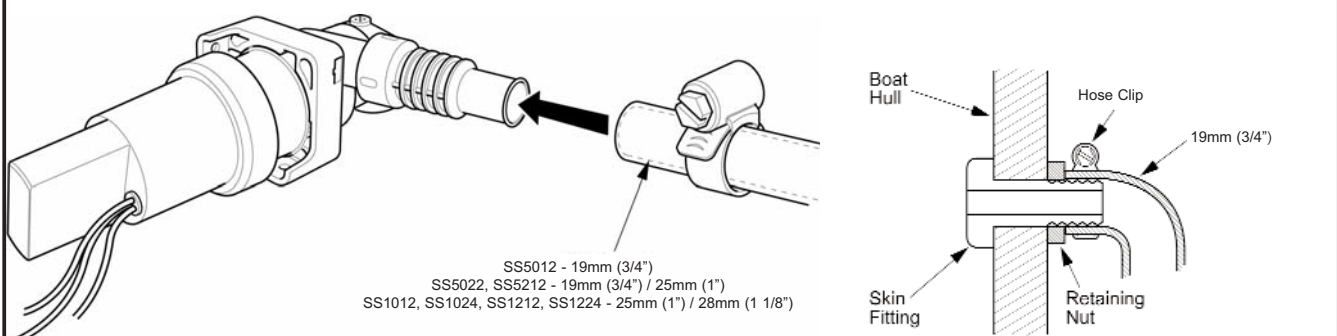


Figure 5

Maintenance

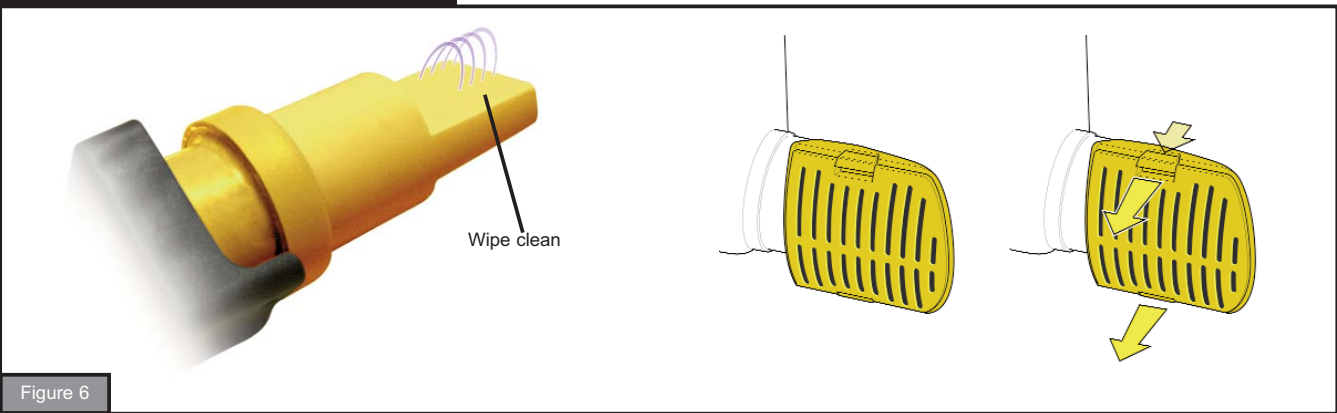


Figure 6

10. Declaration of conformity, standards, approvals

This product complies with all relevant European directives and standards. Please contact Whale® if further details are required

Manufacturer's Declaration

We hereby declare, under our sole responsibility, that the enclosed equipment complies with the provisions of the following EC Directives.

Electromagnetic Compatibility Directive 2004/108/EC, on the approximation of the laws of the Member States relating to electromagnetic compatibility.

Recreational Craft Directive 94/25/EEC amended by 2003/44/EC

Basis on which conformity is declared

The above equipment complies with the protection requirements of the EMC Directive.

Standards applied

EN55014-1:2006	EMC Emissions
EN55014-2:1999+A2:2008	EMC Immunity
EN28846:1993	Ignition Protection
ISO 8849:2003	Electrically Operated Bilge Pumps
ISO 15083:2003	Bilge Pumping Systems
ISO 10133:2000	Extra-low Voltage d.c. Installations
EN60335-1:2002	Safety of household and similar electrical appliances
EN60335-2-41:2003	Particular requirement for pumps.

R. S. McFadden

Date: 1st Jan 2011
 Position: Engineering Director

Merci de l'achat de ce produit Whale.

Depuis plus de 60 ans, Whale est leader dans la conception et la fabrication de systèmes d'eau douce, d'eau de cale et d'eaux grises incluant: les pompes, la plomberie, les réservoirs, les robinets et les douches pour les applications à faible voltage. L'entreprise et ses produits se sont construits une réputation de qualité, fiabilité et d'innovation ainsi qu'un excellent service à la clientèle.

Pour plus d'informations sur nos gammes de produits visitez: www.whalepumps.com

SOMMAIRE

1. Principes de fonctionnement	6. Instructions d'utilisation
2. Application	7. En cas de problèmes
3. Mises en garde	8. Hivernage
4. En option	9. Service après vente & Détails de Garantie
5. Instructions d'installation	10. Déclaration de conformité, standards, certifications

LISTE DES IMAGES

Figure 1.	Installation
Figure 2	Emplacements Traditionnels
Figure 3.	Instructions de montage
Figure 4.	Schémas de câblage
Figure 5.	Plomberie
Figure 6.	Maintenance

ATTENTION A noter que toute installation incorrecte invalidera la garantie.

A L'ATTENTION DE L'INSTALLATEUR: Vérifier que le produit correspond à l'application désirée, suivre les instructions d'installation suivantes et s'assurer que le personnel intéressé lise les points ci-dessous. Egalement s'assurer que ces instructions d'utilisation soit données à l'utilisateur.

A L'ATTENTION DE L'UTILISATEUR: Lire attentivement les instructions suivantes.

1. PRINCIPES DE FONCTIONNEMENT

Les pompe Supersub 500, 650 et 1100 et Supersub Smart 650 et 1100 sont conçus uniquement, et spécifiquement pour une évacuation rapide et efficace des eaux de cale pour les embarcations de loisir. La gamme Supersub se loge dans des espaces étroits et bas dans lesquelles d'autres pompes de cales ne peuvent se mettre. SS5012, SS5022, SS1012 ET SS1024 N'EST PAS UNE POMPE AUTOMATIQUE. (Référez-vous à la section 4. pour les interrupteurs et autres pièces optionnelles qui peuvent être utilisées avec ces produits).

La pompe Supersub Smart 650 et 1100 est automatique. Le pompes détecte la présence d'eau et démarre la pompe, s'arrêtant lorsque le niveau d'eau a baissé suffisamment. La commutation est à semi-conducteur, le résultat est qu'il n'y a pas de pièces mobiles. Les pompes Supersub Smart 650 et 1100 autorise les vaguelettes d'eau à passer au dessus d'elle sans pour autant mettre en marche la pompe tout le temps car celle-ci inclue une temporisation au démarrage.

2. APPLICATION

- Les pompes Supersub sont conçues pour pomper les eaux de cale traditionnelles. La capacité en sortie dépend des conditions d'installation et de fonctionnement. Si ce produit est utilisé pour un tout autre but ou avec tout autre liquide il est de la responsabilité de l'utilisateur de s'assurer que la pompe est compatible avec le type d'application et, en particulier que les matériaux sont complètement compatibles avec les liquides utilisés.
- Ce produit doit seulement être utilisé dans les cales d'embarcations de loisir. Si ce produit est utilisé comme pompe de sole ou de cale alors la Superub 500, 650 et 1100, la Supersub Smart 650 et 1100 sont compatibles seulement pour les bateaux jusqu'à 24m.
- L'eau de cale doit seulement être évacuée à travers un passe-coque adapté installé au dessus de la ligne de flottaison du bateau.

3. MISES EN GARDE

- La gamme de Supersub est conçue seulement pour l'extraction de l'eau de cale classique à l'intérieur de bateaux de plaisances et d'embarcations personnelles (comme expliqué dans la section 2. Application). Votre garantie pourrait être invalidée si le produit est utilisé sur d'autres applications ou en dehors des spécifications annotées sur l'extérieur du paquet contenant le produit et sur le corps de la pompe.
- L'eau pompée doit être évacuée à travers un passe-coque au dessus de la ligne de flottaison (Voir les schémas d'installations traditionnelles). La gamme Supersub n'est pas adaptée pour les systèmes évacuants les eaux usées à travers un passe-coque ou une vanne passe-coque en-dessous de la ligne de flottaison. Toute plomberie doit contenir un col de cygne correctement installé.
- Remarque: les capacités de la pompe de cale peuvent ne pas être suffisantes pour prévenir des inondations, de l'accumulation rapide de l'eau à cause des tempêtes ou du mauvais temps et / ou de fuite rapide engendrée par une coque endommagée et / ou des mauvaises conditions de navigation
- Pour toutes les applications, il est important qu'un système de travail sécurisé soit appliqué pendant l'installation, l'utilisation et l'entretien. S'assurer que l'alimentation électrique est coupée et que le système d'eau est vidangé avant l'installation.
- Afin de fixer solidement l'appareil, veiller à ce que la surface de montage ait une épaisseur minimale de 19 mm (lorsqu'elle est montée avec les vis fournies)
- **NOTE ne pas** visser directement à la coque - Doit être montée sur une cloison ou une surface supplémentaire.
- **NOTE Ne pas** dévisser la partie arrière. Une interférence dans le système électrique interne rendrait la pompe inutilisable. Il s'agit d'une partie non réparable de la pompe
- **ATTENTION** Risque d'incendie. Le câblage doit être conforme aux norms électriques et comporter un fusible correctement calibré ou un disjoncteur. Un câblage incorrect peut provoquer des blessures ou la mort. Couper l'alimentation lorsque vous réalisez les connexions.

4. EN OPTION

LV1219	Clapet Anti-retour, recommandé pour SS5012
BE9003 / BE9006	Automatique, détection de l'eau, interrupteur électronique (A utiliser avec SS5012, SS5022, SS1012 et SS1024)
BE9002	Automatique, détection de l'eau, flotteur (Voir Figure 3, Supersub Système Automatique)
SK5131	Passe-coque ¾" (SS5012, SS5022 et SS5212)
SF5204	Passe-coque 1" (SS1012, SS1024, SS1212 et SS1224)

5. INSTRUCTIONS D'INSTALLATION

Voir les schémas (page 8)

6. INSTRUCTIONS D'UTILISATION

SS5012, SS5022, SS1012 et SS1024 - Système Manuel:

Etape 1: Lorsqu'elles sont installées ces pompes doivent être actionnées en mettant l'interrupteur sur la position ON (Figure 4, Supersub Système Manuel).

Etape 2: La Supersub 500, 650 ou 1100 doit être arrêtée dès le moment où l'eau a été évacuée de la cale car laisser la pompe tourner lorsque la cale est sèche réduit la durée de vie de la pompe.

SS5012, SS5022, SS1012 et SS1024 - Système Automatique:

Etape 1: Lorsque utilisée avec BE9002, BE9003 ou BE9006 la pompe peut être laissée en automatique ou peut être mise en position d'activation manuelle (Figure 4, Supersub système automatique).

SS5212, SS1212 et SS1224:

Etape 1: Régler l'interrupteur 3 voies en Automatique (Figure 4 Supersub Smart 650/ 1100), la pompe fonctionnera quand nécessaire. Placer vos doigts au-dessus du capteur pour vérifier l'activation de la pompe, retirez-les et attendez l'arrêt de la pompe (15 secondes). Vérifier régulièrement la pompe pour s'assurer qu'il n'y a pas de colmatage (Figure 5).

7. EN CAS DE PROBLEME

SYMPTOMES	CAUSES POSSIBLES	SOLUTIONS	
Débit limité	Filtre et ou hélice obstrués ou sale	Vérifier les obstructions au niveau du filtre/hélice. Nettoyer avec de l'eau savonneuse chaude (Ne pas utiliser d'agents de nettoyage chimique)	
	Tuyauterie et ou connections obstruées ou sale	Déconnecter la pompe et vérifier le débit passant à travers la tuyauterie, déboucher ou nettoyer si nécessaire	
	Tuyauterie ou connections étroites	Remplacer toutes les connections étroites et tous les éléments de tuyauterie cassés ou détériorés	
	Puissance de la batterie faible	Vérifier le niveau de la batterie, remplir ou recharger si nécessaire	
Aucun débit	Filtre et ou hélice complètement obstrués	Vérifier les obstructions au niveau du filtre/hélice. Nettoyer avec de l'eau savonneuse chaude (Ne pas utiliser d'agents de nettoyage chimique)	
	Tuyauterie et ou connections obstruées ou sale	Déconnecter la pompe et vérifier le débit passant à travers la tuyauterie, déboucher ou nettoyer si nécessaire	
	Fusible coupé	Vérifier les deux solutions au-dessus. Remplacer avec le fusible approprié	
	Batterie vide	Vérifier le niveau de la batterie, remplacer, remplir ou recharger si nécessaire	
	Capteur mal positionné	Consulter les instructions d'installation, disponible avec le produit ou sur notre site internet	
	Défaut de la pompe	Vérifier la garantie d'un an. Contacter le fournisseur et remplacer la pompe.	
Fonctionne continuellement (Automatique/Smart Système seulement)	Erreur de commutation	Défaut de l'interrupteur On/Off	
		Interrupteur Automatique mal positionné	
		Interrupteur Flotteur /Interrupteur de champ électrique défectueux	
	Interrupteur Flotteur bloqué en haut (Système Manuel)	Vérifier qu'il n'y a pas d'objet solide bougeant à l'intérieur de la cale et qui pourrait altérer le mouvement du flotteur	
		S'assurer du libre mouvement du flotteur	
		Le capteur de champs électrique reste activé	Mauvaise orientation de la pompe, consulter les instructions d'installation, disponible avec le produit ou sur notre site internet
			Vérifier qu'il n'y a pas d'objet solide bougeant à l'intérieur de la cale et qui pourrait couvrir la surface de détection du capteur
			Capteur trop près de la tuyauterie, de la structure du bateau ou de tout autre corps de masse
Débris important(s) sur le détecteur- bien essuyer			

8. HIVERAGE

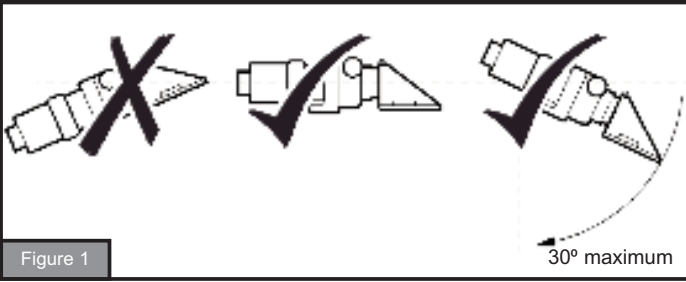
Le gel en hiver peut endommager la gamme de produits Supersub.

Pour éviter ces dommages, assurez vous que l'eau soit retirée de la cale surtout avant et pendant les mois d'hiver.

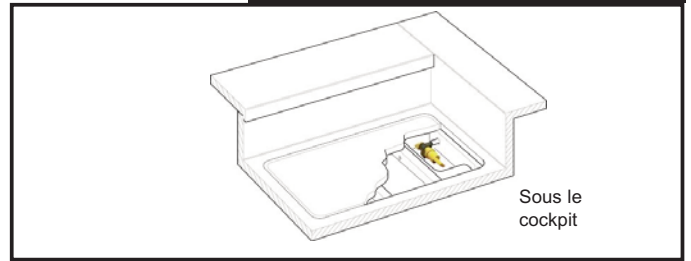
9. Aide Technique et Garantie

La gamme Supersub est une gamme de produits qui ne sont pas prêts à l'emploi. Que la pompe soit défectueuse du fait d'une mauvaise manipulation ou que le produit soit en dehors de la période de garantie la seule option est de racheter un nouveau produit complet. Pour toute condition de garantie, voir le document inclus. Du fait des conditions extrêmes que l'on trouve au sein des cales de bateaux nous vous recommandons de remplacer la pompe de cale tout les 3 ans, cela est dû au changement de températures et aux différents environnements chimiques. La politique que l'entreprise Whale mène est une politique d'amélioration continue et nous nous réservons le droit de changer les spécifications sans avertissement préalable. Les illustrations ont seulement pour but de vous guider.

Installation Supersub Gamme



Emplacements Traditionnels



Instructions de montage

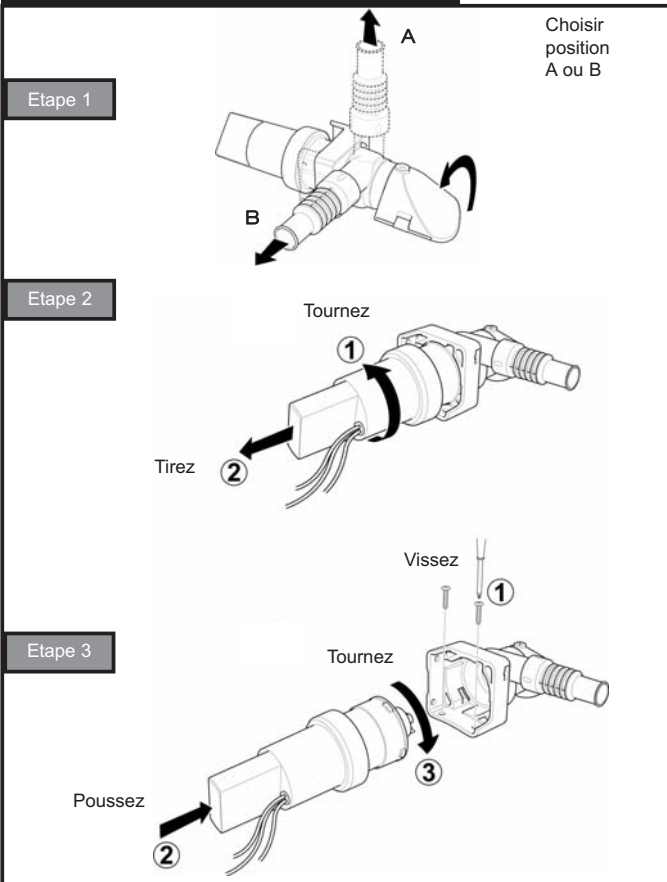


Figure 3 - NE PAS visser la pompe directement dans la coque

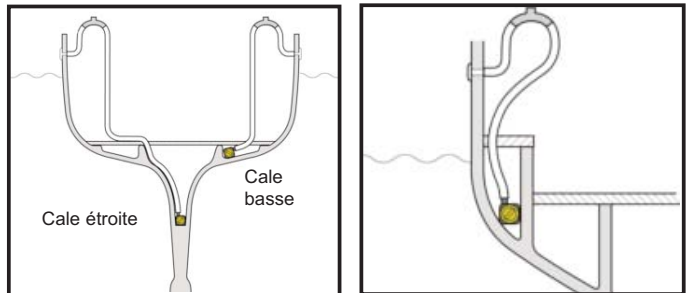
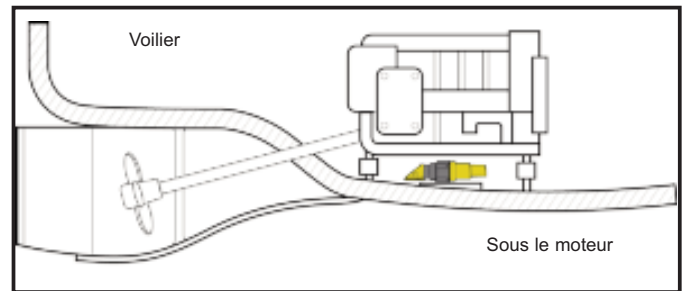
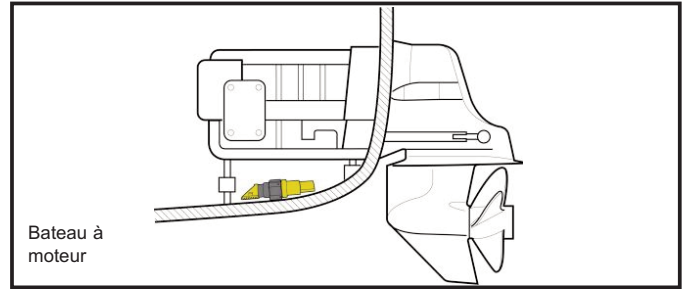


Figure 2

Schémas de câblage

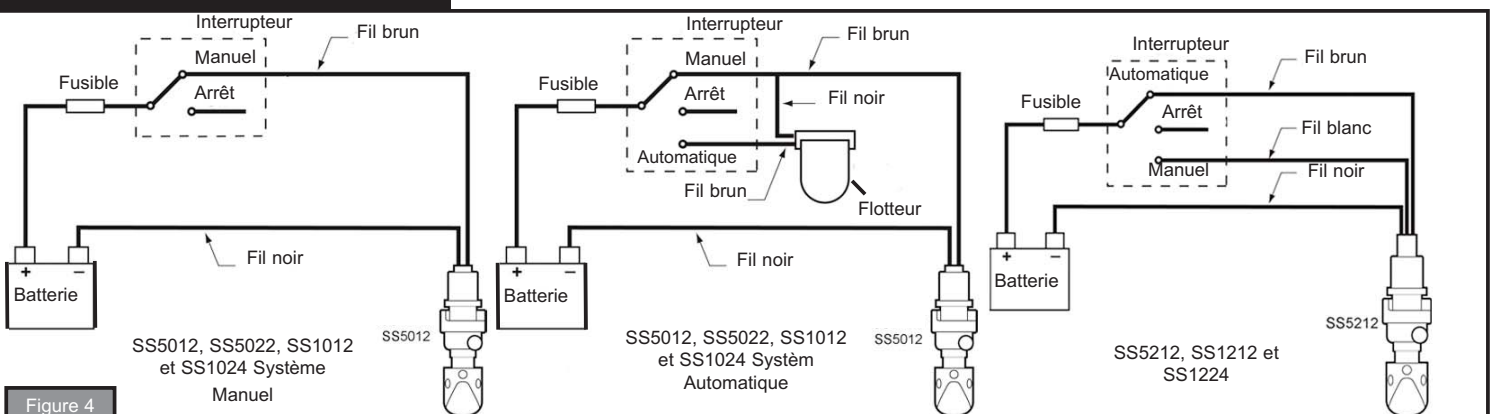


Figure 4

Plomberie

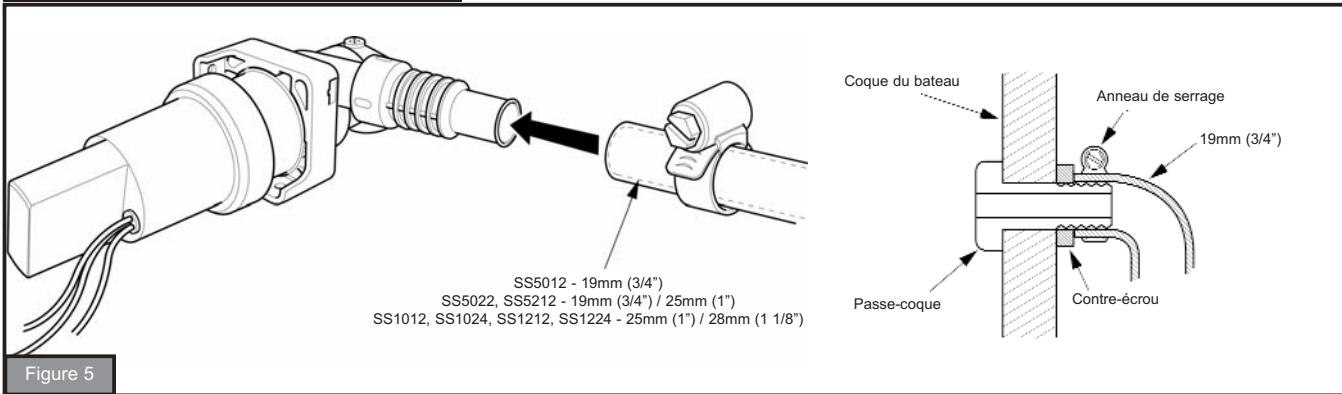


Figure 5

Maintenance

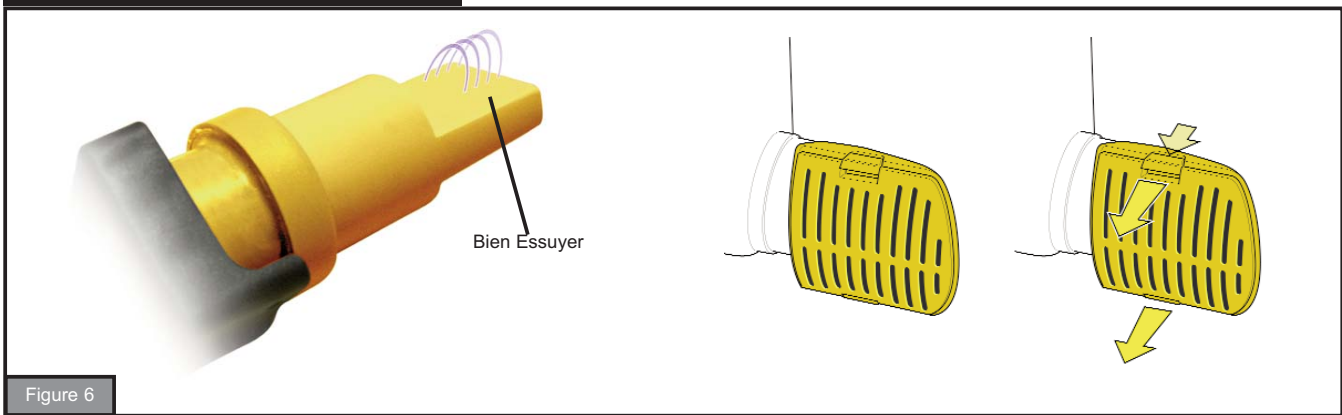


Figure 6

10. Déclaration de conformité, standards, certifications

Ce produit est conforme à toutes les directives et normes européennes. Merci de contacter Whale ® si des précisions sont nécessaires

Déclaration du fabricant

Nous déclarons, sous notre seule responsabilité, que le matériel ci-joint est conforme aux dispositions des directives de la CE.

Directive sur la compatibilité électromagnétique 2004/108/EC, basée sur l'approximation des lois des états membres relative à la compatibilité électromagnétique.

Directive sur les véhicules de loisirs 94/25/EEC modifiée par 2003/44/EC

Fondement sur lequel la conformité est déclarée

Le matériel ci-dessus est conforme aux exigences de sécurité de la directive CEM

Standards appliqués

EN55014-1:2006	Emissions EMC
EN55014-2:1999+A2:2008	Immunité EMC
EN28846:1993	Protection à l'étincelle
ISO 8849:2003	Pompes de cale à fonctionnement électrique
ISO 15083:2003	Systèmes de pompage de cale
ISO 10133:2000	Installations d.c. très basse tension
EN60335-1:2002	Sécurité des appareils électrodomestiques et analogues
EN60335-2-41:2003	Besoins particuliers pour pompes

D. S. M. J. J. J.

Date: 01/01/11
Poste: Le responsable de l'ingénierie

Grazie per aver acquistato un prodotto Whale

Da oltre 60 anni, Whale è leader per innovatività e design dei propri prodotti con autoclavi, pompe di sentina, serbatoi, rubinetti e docce per applicazioni in sistemi a basso voltaggio di elevata qualità. La società ed i suoi prodotti hanno conquistato una reputazione di qualità, efficienza e innovazione tra utenti e professionisti. Per visionare l'intera gamma dei prodotti, visitate il sito: www.whalepumps.com

INDICE

1. Principi generali	6. Istruzioni per l'uso
2. Applicazioni	7. Soluzione guasti
3. Avvertimenti	8. Invernalizzazione.
4. Optional	9. Assistenza e Garanzia.
5. Guida all'installazione	10. Dichiarazione di conformità ue, standard e approvazioni

INDICE FIGURA

Figure 1.	Installazione
Figure 2.	Esempi di installazione
Figure 3.	Montaggio
Figure 4.	Cablaggi elettrici
Figure 5.	Tubazioni
Figure 6.	Manutenzione

ATTENZIONE: Installazioni non conformi a quanto indicato nel presente testo ed in altri successivi potrebbero invalidare la garanzia.

PER L'INSTALLATORE: Verificare che il prodotto sia idoneo all'uso che si intende farne, seguire interamente queste istruzioni e accertarsi che tutto il personale sia a conoscenza delle linee guida qui indicate. Consegnare il presente manuale all'utente finale.

PER L'UTILIZZATORE: Leggere ed attenersi scrupolosamente a quanto indicato in questo manuale.

1. PRINCIPI GENERALI

I modelli Supersub 500, 650 e 1100 e Supersub Smart 650 e 1100 sono progettati per l'uso esclusivo quale pompa di sentina su imbarcazioni da diporto. La gamma Supersub permette, grazie al minimo ingombro, l'installazione anche in zone della sentina difficilmente accessibili con pompe tradizionali. Il modello SS5012, SS5022, SS1012 e SS1024 non è ad accensione automatica. (vedere la sezione 4 per indicazioni su interruttori che possono essere abbinati a queste pompe).

La pompa Supersub Smart 650/1100 è automatica. Il sistema rileva la presenza di acqua e attiva la pompa, spegnendola una volta prosciugata l'area. L'interruttore non ha parti mobili o soggette ad usura. L'interruttore utilizzato nella Supersub Smart 650/1100 ha un ritardatore incorporato che evita l'accensione involontaria ed intermittente in presenza di onde.

2. APPLICAZIONI

- Le pompe Supersub sono progettate per un normale utilizzo come pompe di sentina. La portata e la prevalenza possono variare in base alle condizioni di utilizzo ed installazione. Per un utilizzo differente da quello considerato è responsabilità di installatore ed utilizzatore verificare la compatibilità del funzionamento e dei materiali.
- Questo prodotto deve essere utilizzato solo come pompa di sentina su imbarcazioni da diporto. Se utilizzato come unica pompa di sentina, Supersub 500/650/1100 e Supersub Smart 650/1100 deve essere utilizzato solo su imbarcazioni fino a 24m.
- La pompa di sentina deve scaricare attraverso un idoneo dispositivo posizionato fuoribordo sopra la linea di galleggiamento.

3. AVVERTIMENTI

- La gamma Supersub è destinata all'utilizzo su imbarcazioni da diporto come specificato nella sezione 2, qualsiasi differente utilizzo può invalidare in tutto o in parte la garanzia prevista.
- L'acqua deve essere scaricata attraverso un passaggio al di sopra della linea di galleggiamento (vedere installazioni tipiche). La gamma Supersub non è intesa per l'uso in sistemi di scarico dell'acqua attraverso una membrana o nei rubinetti di presa a mare sotto la linea di galleggiamento. Tutte le tubazioni devono prevedere una valvola / circuito anti-ritorno correttamente installato.
- NOTA:** Le portate delle pompe di sentina possono non essere sufficienti per impedire l'allagamento dovuto al rapido accumulo di acqua causato da tempeste, mare mosso e/o rapide infiltrazioni create da danni allo scafo o da condizioni di navigazione non sicure.
- Con tutte le applicazioni, è importante che durante l'installazione, l'utilizzo e la manutenzione venga adottato un sistema di consuetudini di lavoro sicure. Assicurarsi che, prima dell'installazione, l'alimentazione venga spenta e che l'impianto delle acque di scarico venga svuotato.
- Per fissure l'unità in modo sicuro, assicurarsi che la superficie di montaggio abbia uno spessore minimo di 19 mm (quando viene fissato con le viti fornite in dotazione).
- Non avvitare direttamente allo scafo ma montare su un pannello supplementare.
- NOTA - NON** svitare la parte posteriore, dato che le interferenze con la parte elettrica renderanno la pompa inadatta all'uso. Questa parte della pompa non è soggetta a manutenzione.
- ATTENZIONE!** Pericolo di incendio. I cablaggi devono essere conformi agli standard elettrici applicabili e includere un fusibile o un interruttore di dimensioni adeguate. Un cablaggio non corretto può causare incendi con rischio di incidenti o morte. Spegnere l'alimentazione mentre si effettuano i collegamenti. Le informazioni sui cablaggi hanno titolo orientativo.

4. OPTIONAL

LV1219	Valvola di non ritorno (Supersub 500)
BE9003 / BE9006	Interruttore elettronico a sensori di campo (solo per modelli Supersub 500, 650 e 1100)
BE9002	Interruttore con galleggiante (solo per modelli 500) rif. fig. 3
SK5131	¾" Skin fitting (Supersub 500, Supersub 650 y Supersub Smart 650)
SF5204	1" Skin fitting (Supersub 1100 y Supersub Smart 1100)

5. GUIDA ALL'INSTALLAZIONE

Vedere schemi (pagina 12)

6. Istruzioni per l'uso

SS5012, SS5022, SS1012 e SS1024 - ad accensione manuale:

Accensione: se installate senza accessori esterni, queste pompe devono essere accese mediante l'interruttore (figura 4, Supersub manuale).

Spegnimento: le pompe Supersub manuali devono essere spente immediatamente appena viene esaurita l'acqua presente nell'area di azione. Il funzionamento a secco riduce la durata e l'efficienza della pompa.

SS5012, SS5022, SS1012 e SS1024 - con interruttore automatico:

Quando abbinare agli interruttori BE9002, BE9003 o BE9006 le pompe possono essere attivate in automatico mediante gli interruttori o manualmente come sopra descritto (figura 4, Supersub automatico)

SS5212, SS1212 et SS1224:

Posizionare l'interruttore a 3 vie sulla posizione automatico (figura 4 Supersub Smart 650 / 1100), la pompa si attiverà solo in presenza costante di acqua. La pompa si spegnerà 15 secondi dopo aver esaurito l'acqua nell'area di azione. E' possibile verificarne il corretto funzionamento posizionando due dita sopra i sensori, la pompa si attiverà per poi spegnersi dopo 15 sec. Controllare periodicamente la succhiarola e la girante per accertarsi che non ci siano ostruzioni (figura 5).

7. Soluzione Guasti

EFFETTO	POSSIBILE CAUSA	RIMEDIO
Flusso ridotto	Sporcizia nella succhiarola o nella girante	Ispezionare succhiarola e girante. Lavare con acqua dolce e sapone (non utilizzare mai detergenti chimici)
	Schiacciamento o pieghe dei tubi	Scollegare la pompa e verificare il passaggio dei tubi. Rimuovere lo schiacciamento o l'ostruzione.
	Tubi troppo stretti	Sostituire i tubi o qualsiasi altra connessione che restringa il passaggio.
	Batteria scarica o debole	Controllare la batteria, ricaricare o sostituire se necessario.
Nessun flusso	Materiali nella succhiarola o nella girante	Ispezionare succhiarola e girante. Lavare con acqua dolce e sapone (non utilizzare mai detergenti chimici)
	Tubi ostruiti	Scollegare la pompa e verificare l'impianto. Rimuovere eventuali ostruzioni.
	Fusibile bruciato	Trovare la causa del sovraccarico. Sostituire con il fusibile adatto.
	Batteria insufficiente	Controllare la batteria, ricaricare o sostituire se necessario
	Sensore in posizione errata	Controllare sul manuale o sul sito le indicazioni per una corretta installazione
	Pompa guasta	Contattare il distributore od il rivenditore locale. Garanzia 1 anno
Accensione continua (solo per automatico e Smart)	Interruttore o cablaggio errato	Controllare apertura e chiusura dell'interruttore, eventualmente sostituire.
		Posizionamento errato del galleggiante, verificare.
		Galleggiante guasto o errore nei collegamenti.
	Galleggiante bloccato (solo BE9002) (ad accensione manuale)	Verificare che non siano presenti in sentina materiali che possano impedire il movimento del galleggiante.
		Verificare che il galleggiante si muova libero sul suo asse
	Sensore di controllo (solo BE9003 / BE9006)	Orientamento errato della pompa, verificare sul manuale o sul sito web le indicazioni per una corretta installazione.
		Verificare che non siano presenti in sentina oggetti che possano coprire l'area del sensore.
		Sensore troppo vicino o a contatto con tubi, scafo o altre strutture.
	Sporcizia sul sensore – pulire accuratamente	

8. Invernizzazione

Il congelamento dell'acqua all'interno della pompa può causare danni o rendere inutilizzabile la pompa.

Per evitare questo rischio, si consiglia di svuotare l'acqua dalla sentina con regolarità durante i mesi invernali.

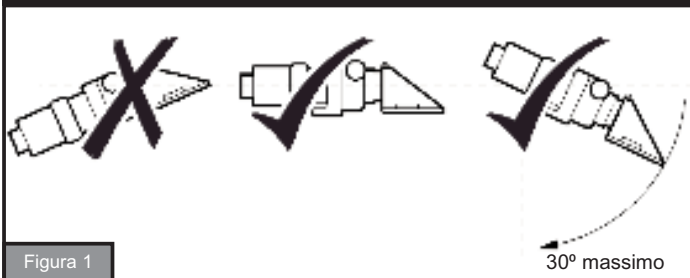
9. Assistenza e Garanzia

La gamma delle pompe Supersub non ha parti che possano essere riparate o sostituite. In caso di rottura meccanica o elettrica la pompa dovrà essere sostituita integralmente. Le condizioni complete della garanzia sono presenti nel documento allegato.

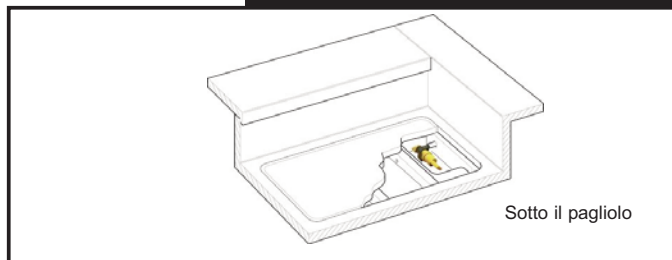
In considerazione della notevole importanza della pompa di sentina a bordo di una imbarcazione, consigliamo di verificarne frequentemente lo stato e di sostituirla al primo accenno di malfunzionamento o comunque ogni 3 anni.

La politica di continuo sviluppo e miglioramento dei propri prodotti può portare a modifiche anche importanti non riportate nel presente manuale. Le illustrazioni qui presenti sono solo indicative e non rappresentano le caratteristiche del prodotto.

Installazione SUPERSUB Gamma

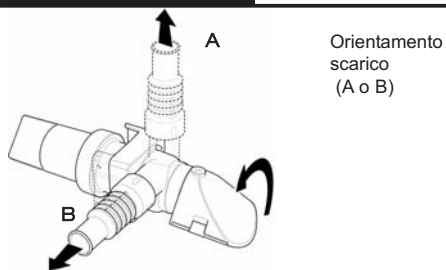


Esempi di installazione

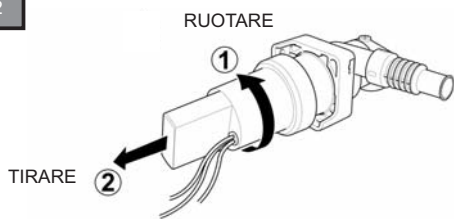


Montaggio

Passaggio 1



Passaggio 2



Passaggio 3

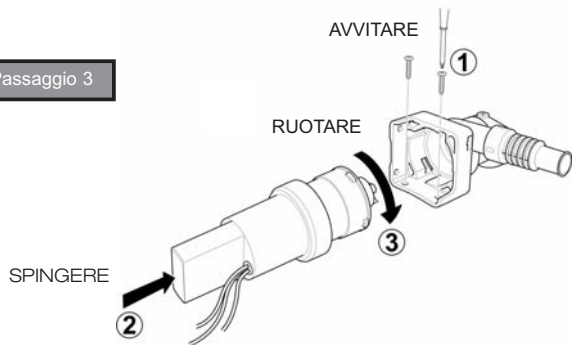


Figura 3 - NON avvitare direttamente allo scafo

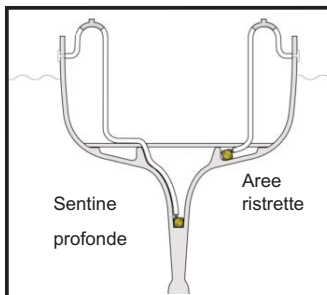
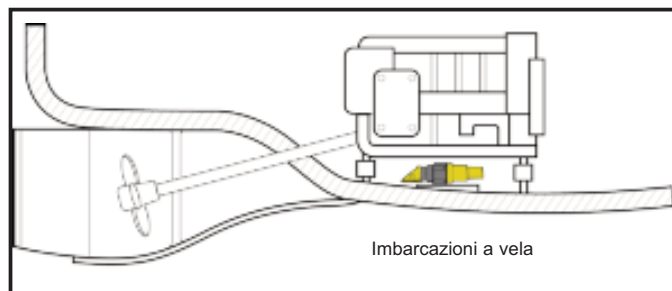
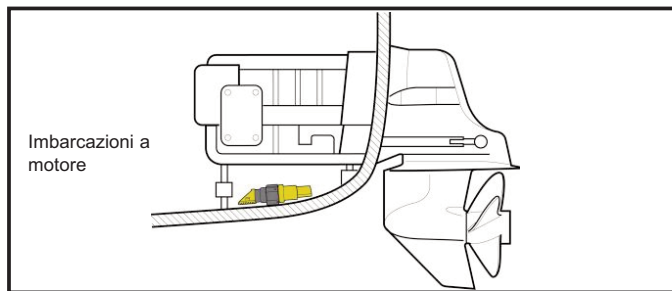
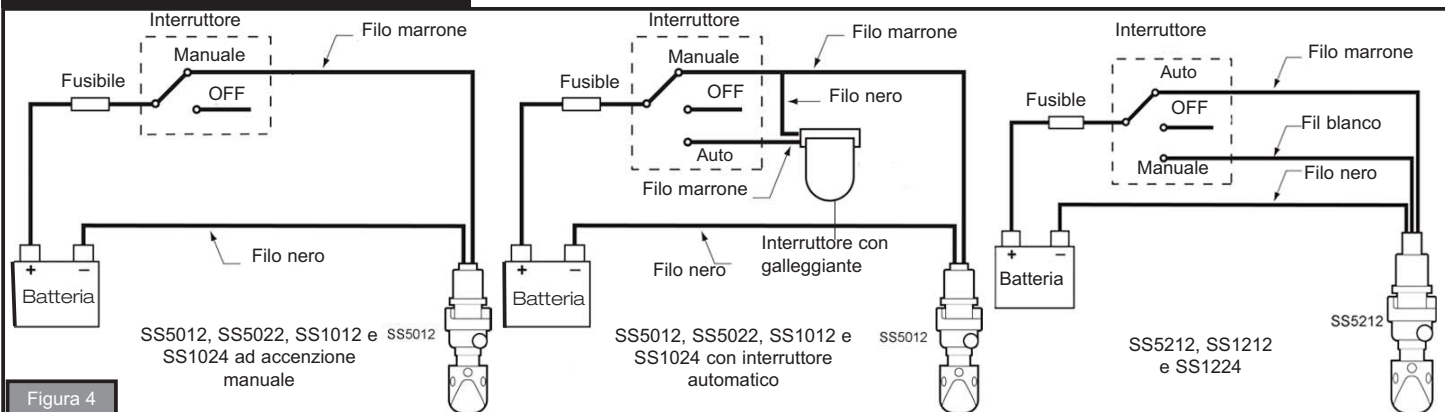


Figure 2

Cablaggi elettrici



Tubazioni

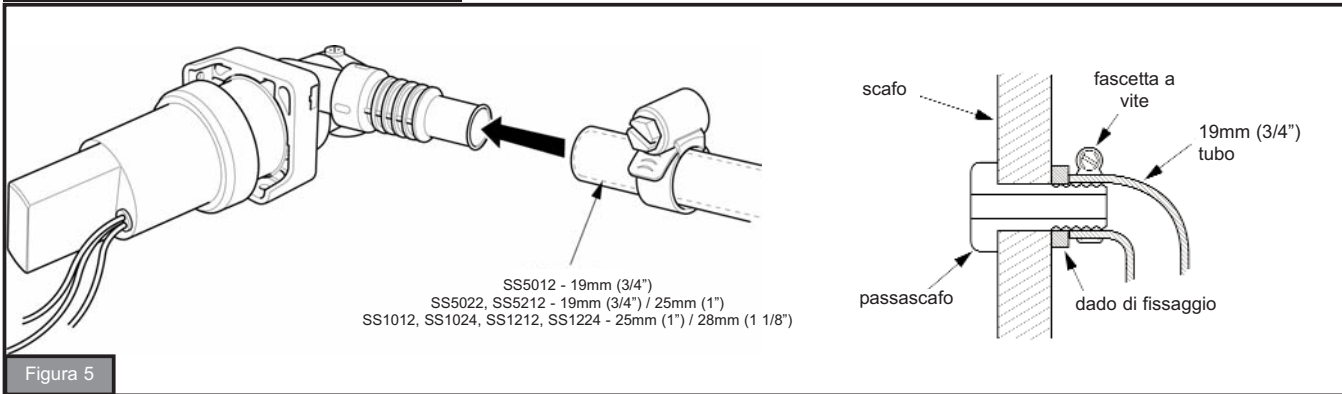


Figura 5

Manutenzione

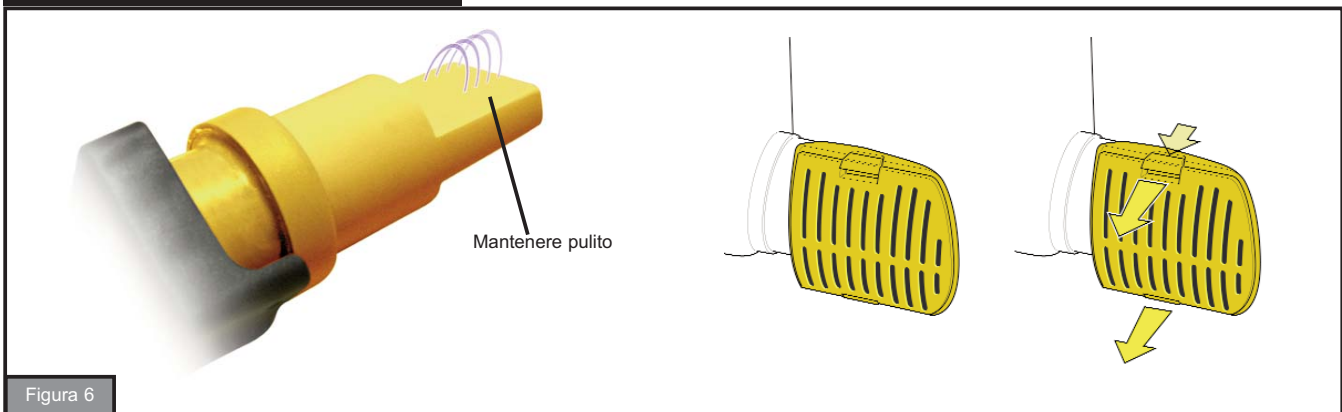


Figura 6

10. Dichiarazione di conformità ue, standard e approvazioni

Questo prodotto è conforme a tutte le direttive e gli standard europei rilevanti. Contattare Whale® per ulteriori dettagli.

Dichiarazione del produttore

Con la presente dichiariamo, sotto la nostra esclusiva responsabilità, che le attrezzature incluse sono conformi alle seguenti Direttive CE.

Direttiva Compatibilità Elettromagnetica 2004/108/CE, sull'approssimazione delle leggi degli Stati Membri relative alla compatibilità elettromagnetica.

Direttiva Imbarcazioni da Diporto 94/25/CEE modificata dalla 2003/44/CE

Base della dichiarazione di conformità

Le attrezzature descritte sopra sono conformi ai requisiti di protezione della direttiva EMC

Standard applicati

EN55014-1:2006	Emissioni EMC
EN55014-2:1999+A2:2008	Immunità EMC
EN28846:1993	Protezione accensione
ISO 8849:2003	Pompe di sentina azionate elettricamente
ISO 15083:2003	Sistemi di pompaggio acque di sentina
ISO 10133:2000	Installazioni a voltaggio D.C. extra-basso
EN60335-1:2002	Sicurezza degli elettrodomestici e di apparecchiature elettriche similari
EN60335-2-41:2003	Requisito particolare per pompe.

R. S. McFadden

Date: 01/01/11
Posizione: Direttore Engineering

Muchas gracias por comprar este producto Whale.

Desde hace más de 60 años, Whale es el referente en el diseño y la fabricación de sistemas de agua dulce, achique y aguas residuales incluyendo accesorios de fontanería, grifos, duchas, tanques y bombas en 12 y 24 voltios. La empresa y sus productos son hoy sinónimo de calidad, fiabilidad e innovación, respaldados por un excelente servicio de atención al cliente. Para más información sobre nuestra gama de productos visite: www.whalepumps.com

CONTENIDOS

1. Principios de Funcionamiento	5. Instrucciones de uso
2. Aplicación	7. Localización y resolución de problemas
3. Advertencia	8. Invernaje
4. Accesorios opcionales	9. Servicio y garantía
5. Instrucciones de montaje	10. Declaración de conformidad ue, normas y aprobaciones

LISTA DE IMAGENES

Dibujo 1.	Instalación
Dibujo 2.	Instalación estandar
Dibujo 3	Instrucciones de montaje
Dibujo 4.	Esquema eléctrico
Dibujo 5	Conexión de tuberías
Dibujo 6.	Mantenimiento

ADVERTENCIA: Tenga en cuenta que una incorrecta instalación podría invalidar la garantía.

PARA EL INSTALADOR: Compruebe que el producto es el apropiado para la aplicación, siga las instrucciones de montaje, asegúrese de que todos los instaladores implicados también lo hacen y de que estas instrucciones llegan al usuario final.

PARA EL USUARIO: Lea atentamente las siguientes instrucciones.

1. PRINCIPIOS DE FUNCIONAMIENTO

Los dos modelos de Supersub 500, 650 y 1100 y Supersub Smart 650 y 1100, han sido específicamente diseñados para achicar, de forma rápida y eficiente, el agua de sentina en embarcaciones de recreo. La gama Supersub es idónea para ser instalada en espacios estrechos y con poca altura donde otras bombas de sentina no pueden. **EL MODELO SS5012, SS5022, SS1012 Y SS1024 NO ES UNA BOMBA AUTOMÁTICA.** (Ver la Sección, 4. para interruptores y otras opciones disponibles). La bomba Supersub Smart 650 y 1100 es automática. Se activa automáticamente cuando detecta la presencia de agua y se apaga cuando el nivel de agua baja. El interruptor es un bloque compacto sin partes móviles. Para evitar falsos encendidos por salpicaduras, el interruptor incorpora un sistema de retardo en el encendido.

2. APLICACIONES

- La Supersub está diseñada para funcionar como una bomba de achique estándar. La capacidad de salida depende de las condiciones de instalación y funcionamiento. Si este producto va a ser empleado para otras aplicaciones o con cualquier otro líquido, es responsabilidad del usuario asegurarse de que la bomba es adecuada para este uso y que los líquidos son totalmente compatibles con los materiales de la bomba.
- Producto recomendado para achique en sentinas de barcos de recreo. Cuando se trata de la bomba de achique principal, las bombas Supersub 500, 650 y 1100 y Supersub Smart 650 y 1100 sólo son recomendadas en barcos de hasta 24m.
- La evacuación del agua de la sentina sólo debería realizarse a través de un pasacascos correctamente ubicado por encima de la línea de flotación.

3. ADVERTENCIA

- La gama de productos Supersub ha sido exclusivamente diseñada para achicar agua de sentina en barcos de recreo. La garantía podría quedar invalidada si el producto es utilizado para otras aplicaciones o fuera de los parámetros indicados en el embalaje y cuerpo de la bomba.
- La evacuación del agua de la sentina deberá realizarse a través de un pasacascos ubicado por encima de la línea de flotación. Véase esquemas de instalación/montaje. El rango Supersub no debe utilizarse en sistemas de evacuación de agua a través de accesorios de piel o válvulas de embarcaciones situadas por debajo de la línea de agua. Todas las tuberías deben incorporar un bucle/válvula antisifón correctamente instalado.
- **NOTA:** Es posible que la capacidad de la bomba sea insuficiente para evitar inundaciones producidas por una rápida acumulación de agua resultante de tormentas, malas condiciones climáticas y/o fugas producidas en cascos dañados o condiciones adversas de navegación
- En todos los posibles usos es importante aplicar un conjunto de prácticas de trabajo seguras en la instalación, el uso y el mantenimiento. Antes de la instalación, se debe comprobar que la alimentación eléctrica esté desconectada y que se haya drenado el sistema.
- Para asegurar la instalación, se debe comprobar que la superficie de montaje tenga un grosor mínimo de 19 mm (si se utilizan los tornillos suministrados).
- **NOTA: NO** instale la bomba directamente sobre el casco. La base debe montarse sobre un mamparo o soporte adicional con un grosor mínimo de 19 mm.
- **NOTA: NO** desatornillar la sección posterior, ya que las interferencias con el sistema eléctrico interno inutilizarían la bomba. (Se trata de una parte de la bomba no reparable).
- **ADVERTENCIA:** Peligro de incendio. El cableado debe cumplir con las normativas eléctricas aplicables y disponer de un fusible o disyuntor con un régimen nominal adecuado. Un cableado incorrecto puede provocar un incendio con resultado de lesiones personales graves o mortales. Antes de realizar las conexiones, se debe desconectar la alimentación eléctrica. La información sobre el cableado sugerido sólo tiene carácter orientativo.

4. ACCESORIOS OPCIONALES

LV1219	Válvula antirretorno, recomendada para SS5012
BE9003 / BE9006	Automático de activación por agua, interruptor electrónico (Para usar con SS5012, SS5022, SS1012 y SS1024)
BE9002	Automático de activación por agua, interruptor eléctrico tipo flotador (Ver Dibujo 3, Sistemas Automático Supersub)
SF5131	Pasacascos ¾" (SS5012, SS5022 y SS5212)
SF5204	Pasacascos 1" (SS1012, SS1024 SS1212 y SS1224)

5. INSTRUCCIONES DE MONTAJE

Véase esquemas de instalación/montaje (pág. 16)

6. INSTRUCCIONES DE USO

SS5012, SS5022, SS1012 y SS1024 - en modo manual:

- 1) Para encender la bomba es necesario poner el interruptor manual en la posición ON (Dibujo 4, Supersub Modo Manual).
- 2) La bomba debe apagarse una vez se vacíe el agua de la sentina. El funcionamiento de la bomba en seco reduce su vida útil.

SS5012, SS5022, SS1012 y SS1024 - en modo automático:

La bomba podrá activarse manualmente o funcionar en automático cuando se instala con los interruptores BE9002, BE9003 o BE9006 (Dibujo 4, Supersub Modo Automático)

SS5212, SS1212 y SS1224:

Coloque el interruptor de 3 posiciones en automático (Dibujo 4, Supersub Smart 650/ 1100) y la bomba funcionará cuando sea necesario. Para comprobar que la bomba está activada coloque los dedos sobre el sensor. Retírelos y espere a que la bomba se detenga (15 segundos). Verifique la bomba con regularidad para asegurarse de que no existen obstrucciones (Dibujo 5).

7. LOCALIZACIÓN Y RESOLUCIÓN DE PROBLEMAS

PROBLEMA	POSIBLES CAUSAS	SOLUCION
Escaso caudal	Filtro y/o turbina sucios o obstruidos	Buscar obstrucciones en filtro y/o turbina. Limpiar con agua jabonada (No usar productos que contengan agentes químicos)
	Tubería y/o conexiones obstruidas o sucias	Desconecte y compruebe la tubería, desatascar o limpiar si es necesario
	Tubería y/o conexiones comprimidas	Reponer la conexión o tubería deterioradas
	Batería baja de carga	Revisar el estado de la batería y cargarla si es necesario
No hay caudal	Filtro y/o turbina completamente obstruidos	Buscar obstrucciones en filtro y/o turbina. Limpiar con agua jabonada (No usar productos que contengan agentes químicos)
	Tubería y/o conexiones obstruidas o sucias	Desconecte y compruebe la tubería, desatascar o limpiar si es necesario
	Fusible fundido	Compruebe primero que no existen obstrucciones. Cambie el fusible apropiado
	Batería sin carga	Revisar el estado de la batería y cargarla o cambiarla si es necesario
	Sensor mal ubicado	Consultar instrucciones de montaje en el manual incluido en el producto o en nuestra página web.
	Bomba averiada	Comprobar si está en garantía (1 año). Contactar con el distribuidor y cambiarla.
La bomba no se detiene	Defecto en interruptores	Interruptor ON/OFF defectuoso
		Interruptor automático mal ubicado
		Interruptor automático defectuoso
	Automático tipo flotador atascado en posición vertical (en modo manual)	Comprobar que no hay objetos en la sentina que impidan el movimiento del flotador
		Asegúrese de que el flotador bascula sin problemas
	Automático electrónico continuamente activado	Bomba mal orientada. Consultar instrucciones de montaje en el manual incluido en el producto o en nuestra página web
		Comprobar que no hay objetos en la sentina que puedan cubrir la zona donde se encuentra el sensor
		Sensor demasiado cerca de la tubería, de un mamparo u otro elemento de masa
	Sensor sucio – limpiar con un trapo	

8. Invernaje

Las heladas en invierno pueden provocar daños en la gama de productos Supersub. Para evitarlo mantenga la sentina siempre seca, sobre todo durante los meses de invierno.

9. Servicio y garantía

Los productos de la gama Supersub no se pueden reparar. En caso de fallo debido a un mal uso de la bomba o si el producto está fuera del periodo de garantía, la única opción es comprar una unidad completa nueva.

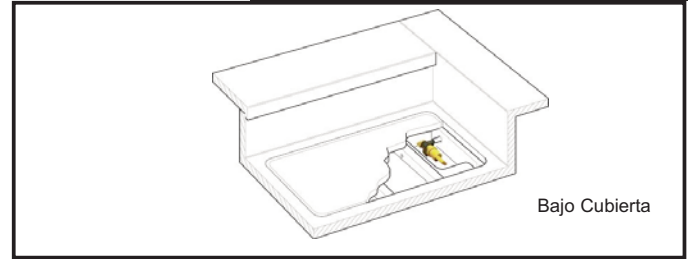
Debido a las condiciones extremas por los cambios de temperatura y la acción de diferentes agentes químicos que se dan en la sentina de un barco, recomendamos la reposición de la bomba de achique sumergible al menos cada tres años.

Debido a nuestra política de una continua mejora de los productos, nos reservamos el derecho a cambiar estas especificaciones sin previo aviso. Los dibujos sólo tienen carácter informativo.

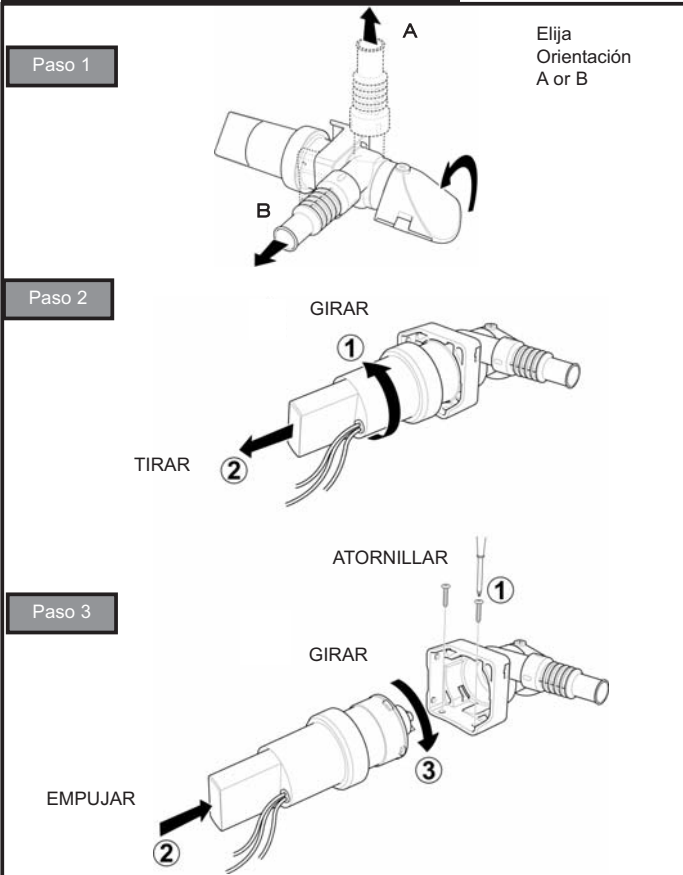
INSTALACION SUPERSUB GAMA



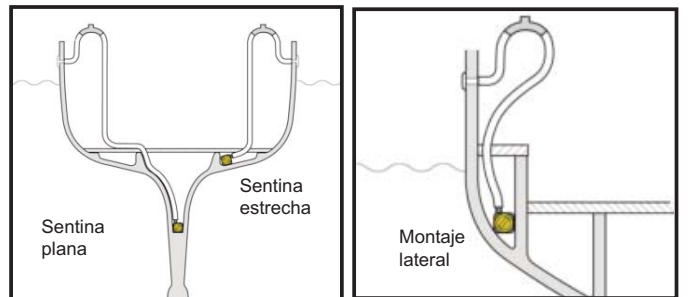
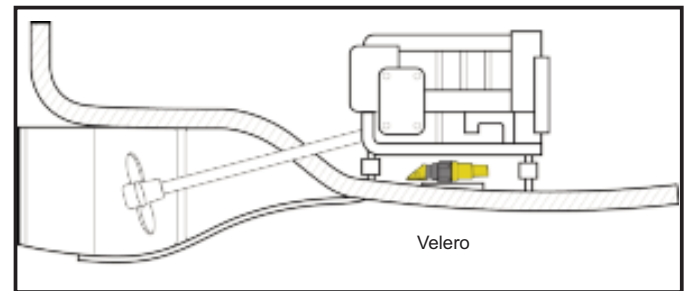
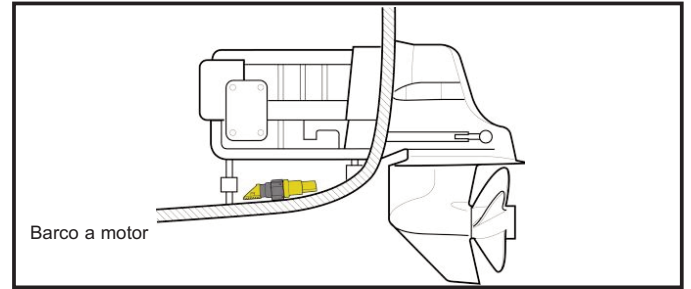
Instalación estándar



Instrucciones de instalación

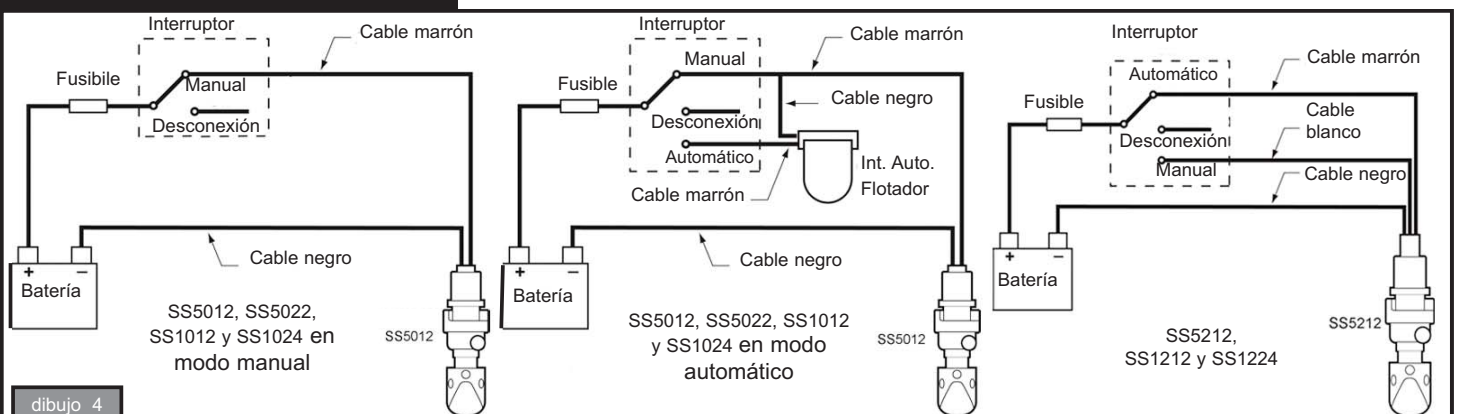


dibujo 3- No atornille la bomba directamente al casco



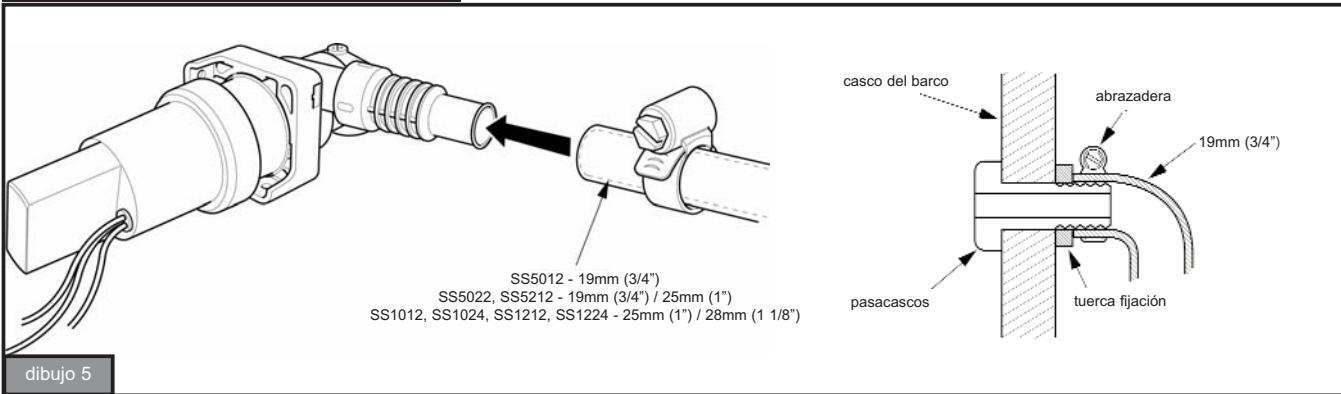
dibujo 2

Esquema eléctrico

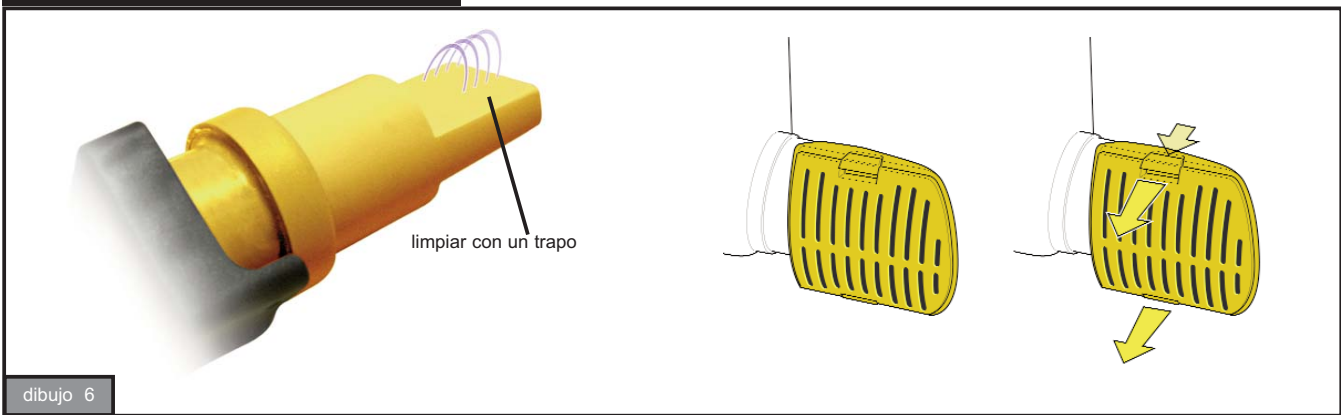


dibujo 4

Conexión de tuberías



Mantenimiento



10. Declaración de conformidad ue, normas y aprobaciones

Este producto cumple todas las directivas y normas europeas aplicables. Si se necesita más información, póngase en contacto con Whale®

Declaración del fabricante

Mediante el presente documento declaramos bajo nuestra exclusiva responsabilidad que el equipo adjunto cumple con las disposiciones de las siguientes directivas de la Unión Europea.

Directiva 2004/108/CE sobre Compatibilidad Electromagnética, relativa a la aproximación de las legislaciones de los Estados miembros en materia de compatibilidad electromagnética.

Directiva 94/25/CEE relativa a embarcaciones de recreo modificada por 2003/44/CE

Base de la presente declaración de conformidad

El equipo arriba descrito cumple los requisitos de protección de la Directiva EMC (Compatibilidad electromagnética)

Normas aplicadas

EN55014-1:2006	Emisiones EMC
EN55014-2:1999+A2:2008	Inmunidad EMC
EN28846:1993	Protección contra la inflamación
ISO 8849:2003	Bombas de sentina eléctricas
ISO 15083:2003	Sistemas de bombeo de sentinas
ISO 10133:2000	Instalaciones de corriente continua a muy baja tensión
EN60335-1:2002	Seguridad en aparatos electrodomésticos y análogos
EN60335-2-41:2003	Requisitos particulares para bombas

D. S. McFarland

Fecha: 01/01/11
Cargo: Director de Ingeniería

Vielen Dank dafür, daß Sie sich für dieses Whale Produkt entschieden haben.

Seit mehr als 60 Jahren ist Whale wegweisend in Entwicklung und Produktion von Frischwasser-, Bilgen- und Schmutzwassersystemen bestehend aus: Fittings, Hähnen, Duschen und Pumpen für den Niedrig-Sapnnungsbereich. Die Firma und deren Produkte haben einen Ruf in Bezug auf Qualität, Zuverlässigkeit und Innovation verstärkt durch einen hervorragenden Kundenservice.

Für weitere Information besuchen Sie uns auf: www.whalepumps.com

INHALT

1. Funktionsgrundlagen 6. Gebrauchsanweisungen
2. Anwendungsbereiche 7. Fehlersuche
3. Warnhinweise 8. Einwintern
4. Optionales Zubehör 9. Serviceunterstützung und Gewährleistung
5. Installationsanleitung 10. EU-konformitätserklärung, normen und zulassungen

LISTE DER ABBILDUNGEN

- | | |
|--------|--------------------------|
| Abb 1. | Installation |
| Abb 2 | Typische Einbaubeispiele |
| Abb 3. | Einbauanweisung |
| Abb 4 | Kabeldiagramm |
| Abb 5. | Schlauchverbindung |
| Abb 6. | Pflege |

Für den Installateur: Lesen Sie das Nachfolgende sorgfältig vor der Installation. Prüfen Sie, ob das Produkt für den gedachten Anwendungszweck geeignet ist. Befolgen Sie die Installationsanweisungen und stellen Sie sicher, ass alle beteiligten Personen die nachfolgenden Punkte liest. Stellen Sie außerdem sicher, daß diese Arbeitsanleitungen an den Anwender weitergeleitet werden.

Für den Anwender: Lesen Sie die nachfolgenden Anweisungen sorgfältig.

1. Funktionsgrundlagen

Alle 2 Supersub-Ausführungen, Supersub 500, 650 und 1100 und Supersub Smart 650 und 1100 sind einzigartig entwickelt, speziell zur schnellen und effizienten Abpumpen von Bilgenwasser aus Freizeitbooten. Die Supersub-Serie passt in schmale und niedrige Räume, die von anderen Bilgenpumpen nicht werreicht werden. **DIE SS5012, SS5022, SS1012 UND SS1024 IST KEIN AUTOMATIKPUMPE.** Bitte informieren Sie sich im Abschnitt 4 über mögliche Schalter und anderes passendes Zubehör. Supersub Smart 650 und 1100 ist automatisch. Sie erkennt den Wasserstand und schaltet die Pumpe entsprechend ein, bzw. aus, wenn der Pegel gefallen ist. Das Schalten erfolgt zuverlässig, weil keine beweglichen Teile betroffen sind. Die Supersub Smart 650 und 1100 erkennt, ob es sich um schwappendes Wasser handelt, ohne die Pumpe bei jedem Schwall einzuschalten, weil sie eine Zeitverzögerung eingebaut hat.

2. Anwendungsbereiche

- Die Supersubs wurden zum Pumpen von normalem Bilgenwasser entwickelt. Die Fördermenge hängt von den Einbau und Arbeitsbedingungen ab. Falls dieses Produkt zu anderen Zwecken oder zum Pumpen anderer Flüssigkeiten benutzt werden soll, liegt es in der Verantwortung des Anwenders, zu prüfen, ob die Pumpe dazu geeignet ist, insbesondere, ob die verwendeten Materialien mit den zu pumpnednen Flüssigkeiten kompatibel sind.
- Diese Pumpe darf nur in Bilgen von Freizeitbooten verwendet werden. Wird die Supersub 500, 650 oder 1100 oder die Supersub Smart 650 oder 1100 als einzige oder Hauptlenzpumpe eingesetzt darf das Boot nicht länger als 24 Meter (ca. 78 ft) sein.
- Das Bilgenwasser darf nur durch eine korrekt montierte Decksdurchführung oberhalb der Wasserlinie entsorgt werden.

3. Warnhinweise

- Die Supersub-Serie wurde ausschließlich zum Pumpen von normalen Bilgenwasser auf Sportbooten und PWCs entwickelt (wie unter Anwendungsbereiche erklärt). Ihre Gewährleistungsansprüche können ungültig werden, falls das Produkt in anderen Anwendungsbereichen benutzt wurde, bzw. Außerhalb der Geltungsbereiche der auf Verpackung und Pumpe vermerkten Standards.
- Das Bilgenwasser darf nur durch eine korrekt montierte Decksdurchführung oberhalb der Wasserlinie entsorgt werden (Siehe typische Installationsgrafiken). Die Supersub-Produktpalette ist nicht für den Gebrauch in Systemen bestimmt, die Wasser über eine Rohrleitungsverschraubung an der Außenseite oder mittels eines Seeventils unterhalb des Wasserpegels entleeren. Die gesamte Verrohrung muss ein/e ordnungsgemäß montierte/s Antihebertventil / elektrische Schaltung besitzen.
- **ANMERKUNG:** Bilgepumpen-Kapazitäten sind möglicherweise nicht ausreichend um Überflutung bei massiven Wassereinbrüchen, bedingt durch Stürme, raues Wetter und/oder durch Lecks, entstanden durch Beschädigungen des Bootsrumpps, und/oder unsichere Navigationsbedingungen zu verhindern.
- Bei allen Anlagen ist es wichtig, dass sichere Arbeitsbedingungen gewährleistet sind bei Montage, Gebrauch und Wartung. Stellen Sie sich er, dass die Stromversorgung vor der Montage ausgeschaltet und das Abwassersystem entwässert ist.
- Um die Anlage sicher zu befestigen, stellen Sie sicher, dass die Montageunterlage eine Dicke von mindestens 19mm hat (bei Befestigung mit den mitgelieferten Schrauben).
- **Anmerkung:** Schrauben Sie nicht direkt in den Rumpf - das Gerät muss an einem Schott oder an einem zusätzlichen Brett befestigt werden. in die eingebaute Elektronik kann die Pumpe zerstören! – Dieser Bereich der Pumpe kann nicht gewartet werden.
- **WARNUNG:** Brandgefahr. Die Verkabelung muss die geltenden elektrischen Normen erfüllen und eine ordnungsgemäß eingesetzte Sicherung oder einen Schutzschalter haben. Eine unsachgemäße Verkabelung kann dazu führen, dass ein Brand verursacht wird, der Verletzungen oder den Tod zur Folge hat. Schalten Sie die Stromversorgung ab, bevor Sie Kabel verbinden.

4. Optionales Zubehör

LV1219	Rückschlagventil, empfohlen für SS5012
BE9003 / BE9006	Elektronischer Schwimmerschalter (für SS5012, SS5022, SS1012 und SS1024)
BE9002	Schwimmerschalter (Abb.3, Supersub Automatiksystem)
SF5131	Borddurchbruch mit 3/4"-Anschluss (SS5012, SS5022 und SS5212)
SF5204	Borddurchbruch mit 1"-Anschluss (SS1012, SS1024, SS1212 und SS1224)

5. Installationsanleitung

Seihe Grafik (Seite 18)

6. Gebrauchsanweisung

SS5012, SS5022, SS1012 und SS1024 - manuelles System:

Schritt 1: Bei Alleininstallation müssen diese Pumpen aktiviert werden, indem der Schalter in die EIN-Position gebracht wird. (Abb.4, Supersub manuelles system)

Schritt 2: Die Supersub muss ausgeschaltet werden, sobald das Wasser aus der Bilge gepumpt ist. Ein Trockenlaufen verkürzt die Lebensdauer der Pumpe.

SS5012, SS5022, SS1012 und SS1024 - automatisches system:

Schritt 1: Bei Gebrauch mit BE9002, BE9003 oder BE9006 kann die Pumpe auf Automatikstellung oder manuell geschaltet werden (Abb. 4, Supersub automatisches system).

SS5212, SS1212 und SS1224

Schritt 1: Bringen Sie den 3-Wege-Schalter auf Smart/Automatic (Abb. 4 Supersub Smart 650/1100) und die Pumpe springt bei Bedarf an. Decken Sie die Sensorfläche mit den Fingern ab, um zu prüfen, ob die Pumpe aktiviert ist. Lassen Sie die Fläche wieder los und warten Sie darauf, daß die Pumpe stoppt (15 Sekunden). Überprüfen Sie die Pumpe regelmässig, um sicherzustellen, daß keine Verstopfungen auftreten (Abb.6)

7. Fehlersuche

Symptom	Mögliche Ursachen	Abhilfe
Zu geringe Förderleistung	Blockierter oder verschmutzter Filter oder Impeller	Überprüfen auf Verstopfungen im Filter/Impeller. Mit sauberem Seifenwasser reinigen (keine chemischen Reiniger verwenden)
	Blockierte oder verschmutzte Leitungen und/oder Fittings	Ausbau der Pumpe und Überprüfung der Leitungen und deren Reinigung wenn nötig
	Zu enge Leitungen oder Fittings	Ersetzen Sie die verengte Verbindungen und jeden geknickten oder abgeknickten Schlauch
	Geringe Batterieleistung	Überprüfung des Ladezustands der Batterie und ggfls. Laden der Batterie
Kein Durchfluß	Komplett verstopfter Filter und/oder Impeller	Überprüfen auf Verstopfungen im Filter/Impeller. Mit sauberem Seifenwasser reinigen (keine chemischen Reiniger verwenden)
	Blockierte oder verschmutzte Leitungen und/oder Fittings	Ausbau der Pumpe und Überprüfung der Leitungen und deren Reinigung wenn nötig
	Durchgebrannte Sicherung	Zuerst die oberen beiden Punkte prüfen, ersetzen Sie durch passende Sicherung
	Entladene Batterie	Überprüfung des Ladezustands der Batterie und ggfls. Laden der Batterie
	Falsch montierter Sensor	Lesen Sie die Installationsanweisungen, mit dem Produkt erhalten oder über unsere website
Pumpe läuft ununterbrochen	Schalter inkorrekt montiert	Fehlerhafter EIN/AUS Schalter
		Falsch platzierter Automatikschalter
		Fehlerhafter Schwimmerschalter/elektronischer Schalter
	Schwimmerschalter verklemmt (manuelles System)	Überprüfen, ob es lose Teile in der Bilge gibt, die den Schalter verklemmen könnten.
		Sicherstellen der freien Bewegungsmöglichkeit des Schwimmerschalters
	Elektronischer Schalter bleibt angeschaltet	Falsche Pumpenausrichtung, lesen Sie die Installationsanweisungen, mit dem Produkt erhalten oder auf unserer website
		Überprüfen, ob es lose Teile in der Bilge gibt, die den Sensorbereich abdecken könnten.
		Der Sensor ist zu dicht an Fittings, Bootsstrukturen oder anderen Masse-Teilen montiert
		Verschmutzter Sensor - sauber wischen

8. Einwintern

Frost im Winter kann Schäden an den Supersub-Pumpen verursachen. Um dies zu vermeiden, stellen Sie bitte regelmässig sicher, dass das Bilgenwasser entfernt wurde, besonders vor und während der Wintermonate.

9. Serviceunterstützung

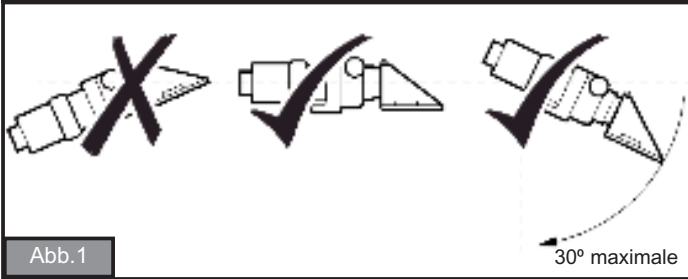
Die Supersub Serie kann nicht repariert werden. Sollte die Pumpe aufgrund von Falschbehandlung ausfallen oder das Produkt bereits aus der Gewährleistungsfrist herausgefallen sein, ist der Neukauf einer kompletten Pumpe die einzige Option.

Die kompletten Gewährleistungshinweise entnehmen Sie bitte dem beigefügten Dokument.

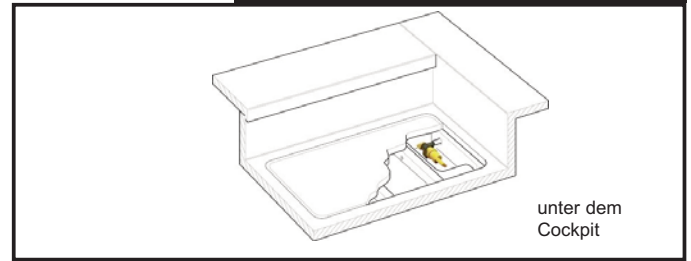
Aufgrund der extremen Konditionen in Botosbilgen empfehlen wir, dass Sie Ihre Lezpumpe spätestens alle 3 Jahre austauschen, dies vor allem aufgrund der Temperaturschwankungen und diverser chemischer Einflüsse.

Zu Whales Bestreben gehört die ständige Verbesserung unserer Produkte und deshalb behalten wir uns das Recht vor Spezifikationen ohne Ankündigung zu ändern. Die Illustrationen sind nur für den Gebrauch zur Anleitung bestimmt und nicht verbindlich.

Einbau Supersub Strecke



Typische Einbaubeispiele



Einbauanweisungen

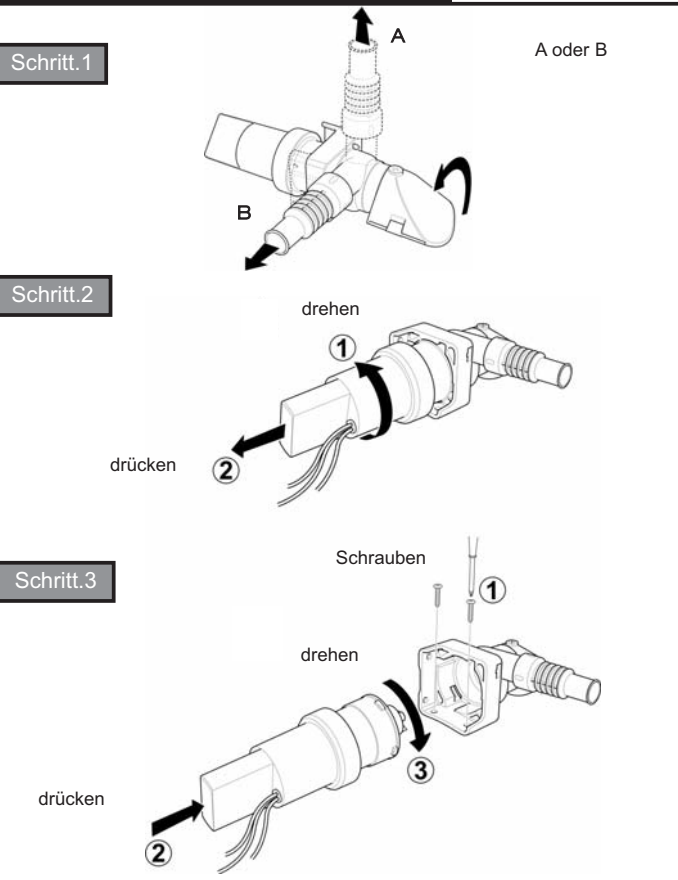


Abb 3. Die Pumpe darf nicht direkt an den Rumpf geschraubt werden

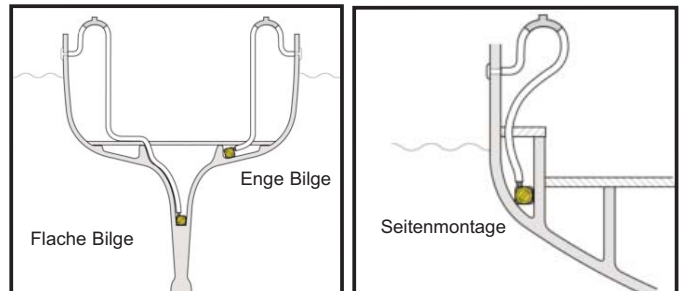
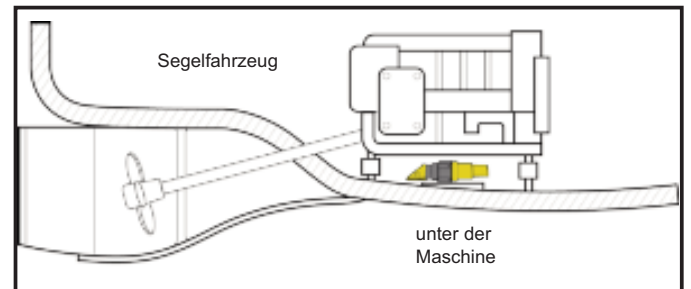
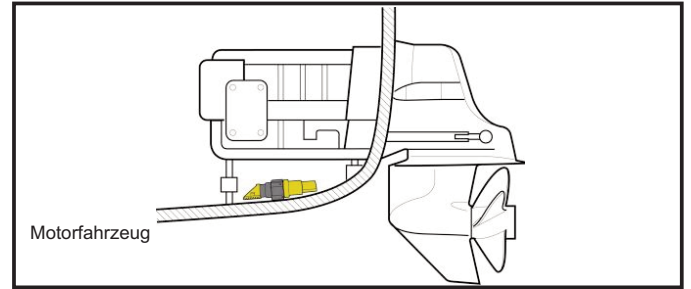


Abb 2

Elektrische Anschlüsse

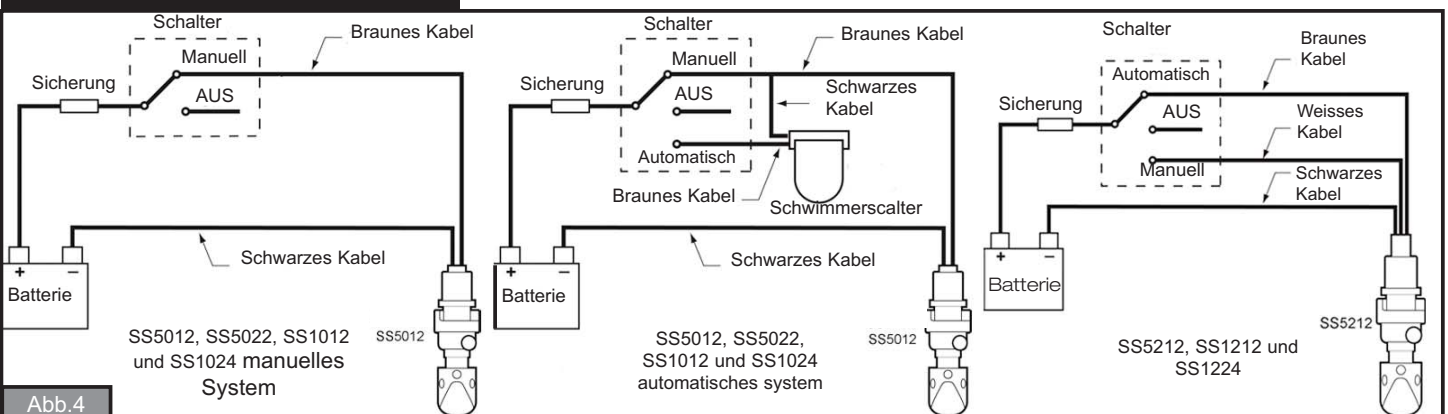


Abb. 4

Schlauchverbindung

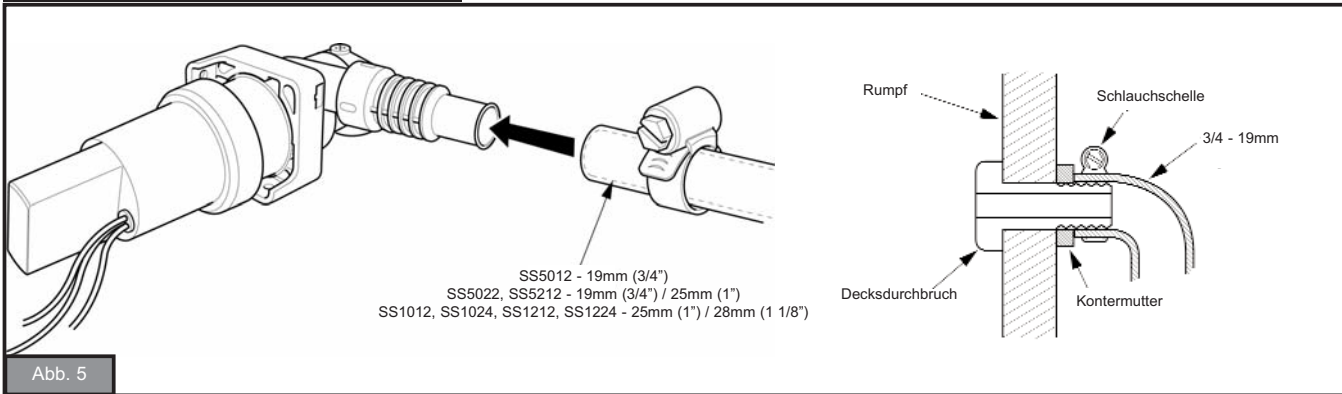


Abb. 5

Pflege

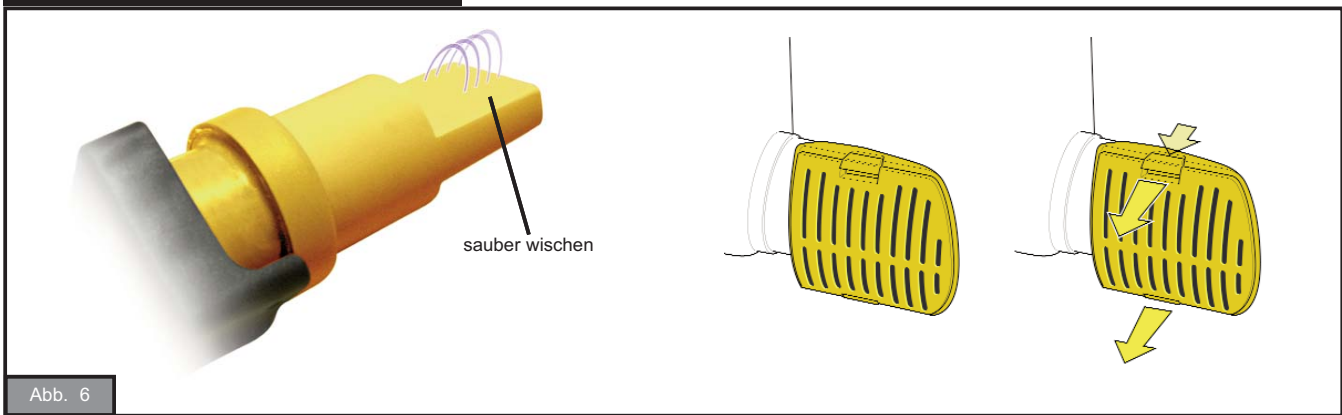


Abb. 6

10. EU-Konformitätserklärung, normen und zulassungen

Dieses Produkt entspricht allen maßgeblichen europäischen Richtlinien und Normen. Für weitere Angaben wenden Sie sich bitte an Whale®.

Herstellererklärung

Hiermit erklären wir unter unserer alleinigen Verantwortung, dass die beigefügten Betriebsmittel den Bestimmungen der nachfolgenden EG-Richtlinien entsprechen.

Richtlinie über die elektromagnetische Verträglichkeit 2004/108/EG, betreffend die Angleichung der Rechtsvorschriften der Mitgliedstaaten über die elektromagnetische Verträglichkeit.

Sportboote-Richtlinie 94/25/EG, geändert durch die Richtlinie 2003/44/EG

Grundlage der Konformitätserklärung

Die obenstehenden Betriebsmittel entsprechen den Schutzanforderungen der AMV-Richtlinie

Angewandte Normen

EN55014-1:2006	EMV-Störaussendungen
EN55014-2:1999+A2:2008	EMV-Störfestigkeit
EN28846:1993	Zündschutz
ISO 8849:2003	Elektrisch angetriebene Bilgepumpen
ISO 15083:2003	Lenzeinrichtungen
ISO 10133:2000	Kleinspannungs-Gleichstrom-(DC-)Anlagen
EN60335-1:2002	Sicherheit elektrischer Geräte für den Hausgebrauch und ähnliche Zwecke
EN60335-2-41:2003	Besondere Anforderungen für Pumpen.

D. S. J. J. J.

Datum: 01/01/11
Funktion: Technischer Direktor

Tack för att du köpte denna produkt från Whale!

I mer än 60 år har Whale visat vägen i design och tillverkning av färskvatten, slagvatten- och avloppssystem inklusive rör, kranar, duschar och pumpar, för anslutning till lågspänning. Företaget och dess produkter har byggt sitt rykte på kvalitet, tillförlitlighet och nyskapande, uppbackat av en utmärkt kundsupport.

För information om alla våra produkter, besök www.whalepumps.com

Innehåll

1. Handhavande	6. Användarinstruktion
2. Användningsområde	7. Felsökning
3. Varning	8. Vinterbruk
4. Tillbehör	9. Service och garanti
5. Installering	10. EG-Försäkran om överensstämmelse, standarder och typgodkännanden

Bilder

Bild 1.	Installation
Bild 2	Installation diagrammen
Bild 3	Monteringsanvisning
Bild 4.	Elschema
Bild 5.	Rördragning
Bild 6.	Underhåll

Till installatören_Läs det följande noggrant före installation. Kontrollera att produkten är lämplig för den avsedda tillämpningen. Följ dessa installationsanvisningar och förvissa dig om att alla berörda personer läser nedanstående punkter. Se också till att användarinstruktionerna ges till slutanvändaren.

Till användaren_Läs följande instruktioner noggrant.

1. Handhavande

Båda Supersub Modeller 500/650/1100 och Smart 650/1100 är unikt konstruerade för snabb och effektiv tömning av slagvatten i fritidsbåtar. Supersub Range passar i trånga och låga utrymmen till skillnad från andra pumpar. Modell SS5012, SS5022, SS1012 och SS1024 är INTE automatisk. (Se sektion 4 för brytare och tillbehör till dessa produkter.) Supersub Smart är automatisk. Den känner av stigande vatten och startar pumpen, stänger av den när vattennivån sjunkit. Brytaren är av halvledarteknik och därmed utan rörliga delar. Supersub kan översköjlas av vatten utan att pumpen startar vid varje våg eftersom den har en inbyggd fördröjning.

2. Användningsområden

- Supersub-produkterna är konstruerade för att pumpa vanligt slagvatten. Dess kapacitet beror på installationen och yttre förhållanden. Om avsikten är att använda denna produkt i något annat syfte eller för någon annan vätska, så är det användarens ansvar att försäkra sig om pumpen är lämplig för det ändamålet och, framför allt, att dess material är kompatibla med de vätskor som ska användas.
- Denna produkt får endast användas i kölsvinet på fritidsbåtar. Om denna produkt ska användas som den enda och/eller primära slagvattenpumpen rekommenderas modell Supersub 500/650/1100 och Supersub Smart 650/1100 för båtar upp till max 24 meter (78,8 ft).
- Slagvattnet bör endast pumpas ut via en korrekt installerad bordgenomföring ovanför båtens vattenlinje.

3. Varning

- Supersub-produkterna är konstruerade endast för tömning av slagvatten i fritidsbåtar (enligt avsnittet Användningsområde). Garantin kan upphävas om produkten används inom andra tillämpningar eller på andra sätt än föreskrivna på förpackning och pumphus.
- Det pumpade vattnet måste ledas genom en bordgenomföring överför vattenlinjen (se installations diagrammen). Modellerna Supersub får inte användas i system för tömning av vatten via en skrovventil eller bottenkran under vattenlinjen. All rörnät måste ha en korrekt installerad antihävertventil/-slinga.
- **INFORMATION:** Det är inte säkert att länsumpens kapacitet räcker för att förhindra översvämning i samband med stormar, hårt väder och/eller snabba läckor som uppkommit av skadade skrov och/eller osäkra navigeringsförhållanden.
- För alla enheter gäller att arbetet med installation, användning och underhåll måste ske säkert. Kontrollera att elförsörjningen är avstängd och att avloppsvattensystemet är tömt före installationen.
- För säker montering av enheten måste monteringsytan vara minst 19 mm tjock vid montering med bifogade skruvar.
- **OBS!** Skruva inte direkt i skrovet - enheten måste monteras på ett skott eller på en extra panel.
- **INFORMATION** Uttaget får inte monteras under vattenlinjen.
- **INFORMATION** - Skruva **INTE** loss den bakre delen eftersom ingrepp i det interna elsystemet gör pumpen olämplig för användning. - Denna del av pumpen är inte brukbar.
- **WARNING:** Brandrisk. Ledningsdragningen måste uppfylla gällande elektriska standarder och förses med en säkring eller skydds brytare med lämplig styrka. Felaktig ledningsdragning kan orsaka en brand och leda till skador eller dödsfall. Stäng av spänningen inför anslutningsarbetet. Informationen om ledningsdragningen är endast avsedd som guide.

4. Tillbehör

LV1219	Backventil, rekommenderas för SS5012.
BE9003 / BE9006	Automatisk, vattenaktiverad, elektronisk brytare (för SS5012, SS5022, SS1012 och SS1024).
BE9002	Nivåvakt (se Bild 3, Supersub Automatiskt system).
SF5131	¾" Bordgenomföring (SS5012, SS5022 och SS5212)
SF5204	1" Bordgenomföring (SS1012, SS1024, SS1212 och SS1224)

5. Intallering

Se diagrammen (Sidan 24)

6. Användarinstruktion

SS5012, SS5022, SS1012 och SS1024 - manuella system:

Steg 1: När dessa pumpar installeras som enskilda produkter måste de startas genom att brytaren ställs i ON-läge (Bild 4, Supersub Manuella system).

Steg 2: Supersub måste stängas av när vattnet har pumpats ut ur kölsvinet eftersom torrkorning kommer att förkorta pumpens livslängd.

SS5012, SS5022, SS1012 och SS1024 - automatisk system:

Steg 1: När pumpen används tillsammans med BE9002, BE9003 eller BE9006 kan den lämnas i läge Automatisk eller ändras till Manuell start (Bild 4 Supersub Automatisk system).

SS5212, SS1212 och SS1224

Steg 1: Sätt 3-vägsbrytaren i position Supersub Smart 650/1100 Automatisk (Bild 4 Supersub Smart 650/1100) och pumpen kommer att starta när det behövs. Lägg ett finger över sensorområdet för att kontrollera att pumpen startar, ta bort fingret och invänta att pumpen stannar (15 sekunder). Kontrollera pumpen regelbundet för att säkerställa fritt flöde (Bild 5).

7. Felsökning

Symptom	Möjlig orsak	Lösningförslag
Begränsat flöde	Blockerat eller smutsigt filter eller pumphjul	Kontrollera/rengör filter och pumphjul med varmt tvålsvatten (använd inte kemikaliska rengöringsmedel)
	Blockerade eller smutsiga rör och/eller anslutningar	Demontera pumpen och kontrollera flödet genom rörsystemet, rengör vid behov
	För klena rör och/eller anslutningar	Ersätt klena och skadade rör och anslutningar
	Låg batteriladdning	Kontrollera vätskenivån, fyll och ladda vid behov
Inget flöde	Fullständigt blockerat filter eller pumphjul	Kontrollera/rengör filter och pumphjul med varmt tvålsvatten (använd inte kemikaliska rengöringsmedel)
	Blockerade eller smutsiga rör och/eller anslutningar	Demontera pumpen och kontrollera flödet genom rörsystemet, rengör vid behov
	Trasig säkring	Kontrollera ovanstående två lösningsförslag först. Byt säkring
	Urladdat batteri	Kontrollera vätskenivån, fyll och ladda vid behov
	Felplacerad sensor	Läs installationsanvisningarna, som levererades med produkten eller se vår website
Går konstant	Strömbrytarfel	Felände ON/OFF brytare
		Felaktigt placerad automatisk brytare
		Trasig nivåvakt
	Nivåvakt fastnat i övre läge (manuella system)	Kontrollera att det inte finns några lösa delar i kölsvinet som kan hindra flottören
		Se till att nivåvakten kan röra sig fritt
	Elektriska sensorn förblir aktiverad	Felaktig pumpriktning. Läs installationsanvisningarna som levererades med produkten eller se vår website
		Kontrollera att det inte finns några lösa delar i kölsvinet inom det område där sensorn är placerad
		Sensorn är placerad alltför nära rör, båtskrov eller andra föremål
		Tjockt med smuts på sensorn – torka ren sensorn - Borsta ren

8. Vinterbruk

Minusgrader kan innebära skador på Supersub-produkterna. För att undvika frysskador, se till att vattnet i kölsvinet dräneras regelbundet, speciellt före och under vintermånaderna.

9. Service och garantier

Supersub-produkten kan inte repareras. Skulle pumpen gå sönder på grund av felaktigt handhavande eller efter garantiperiodens slut måste en ny enhet köpas. För kompletta garantivillkor se bipackat dokument.

Eftersom extrema förhållanden råder i båtars kölsvin rekommenderar vi att din sänkbara länsypump byts åtminstone vart tredje år, på grund av temperatursvängningar och varierande kemiska miljöer.

Whale's policy är att ständigt förbättra sina produkter och reserverar sig därför för att utan notis ändra produkternas specifikationer.

Bilderna är endast till för vägledning

Installation Supersub 500/Supersub Smart 650 / 1100

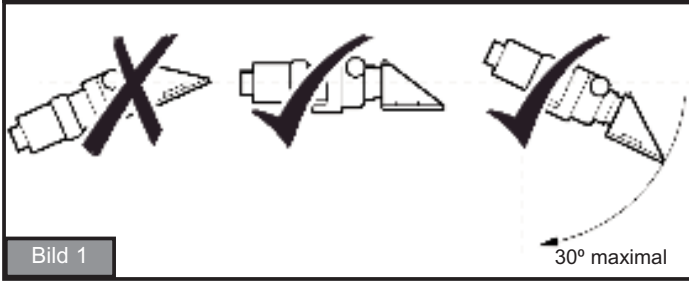
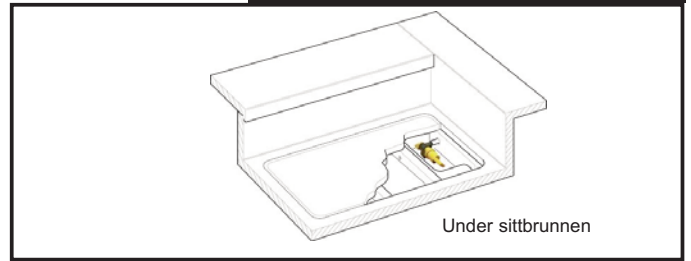


Bild 1

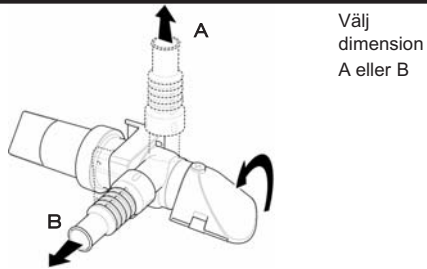
Installations Diagrammen



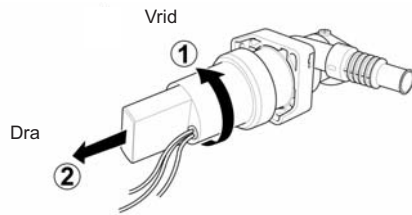
Under sittbrunnen

Monteringsanvisning

Steg 1



Steg 2



Steg 3

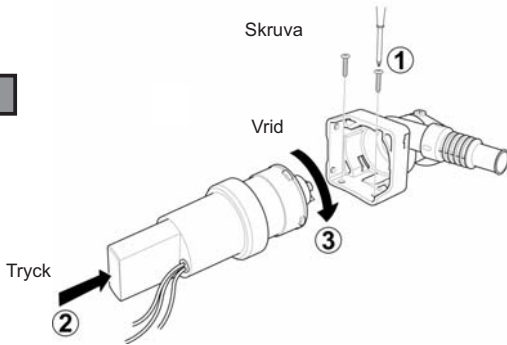
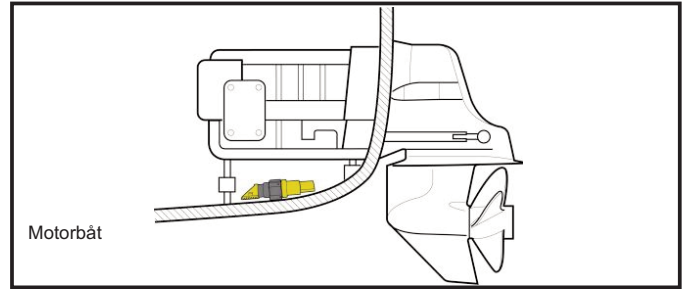
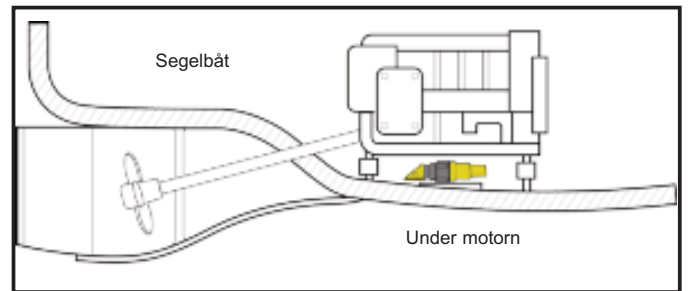


Bild 3 - Pumpen skall inte skruvas direkt på skrovet

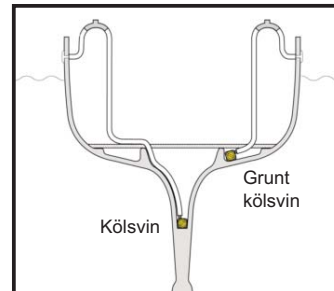


Motorbåt



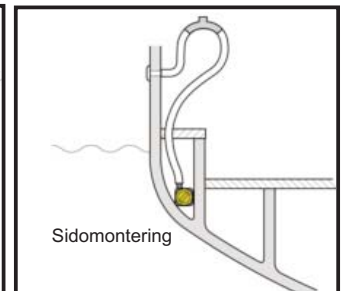
Segelbåt

Under motorn



Kölsvin

Grunt kölsvin



Sidomontering

Bild 2

Elschema

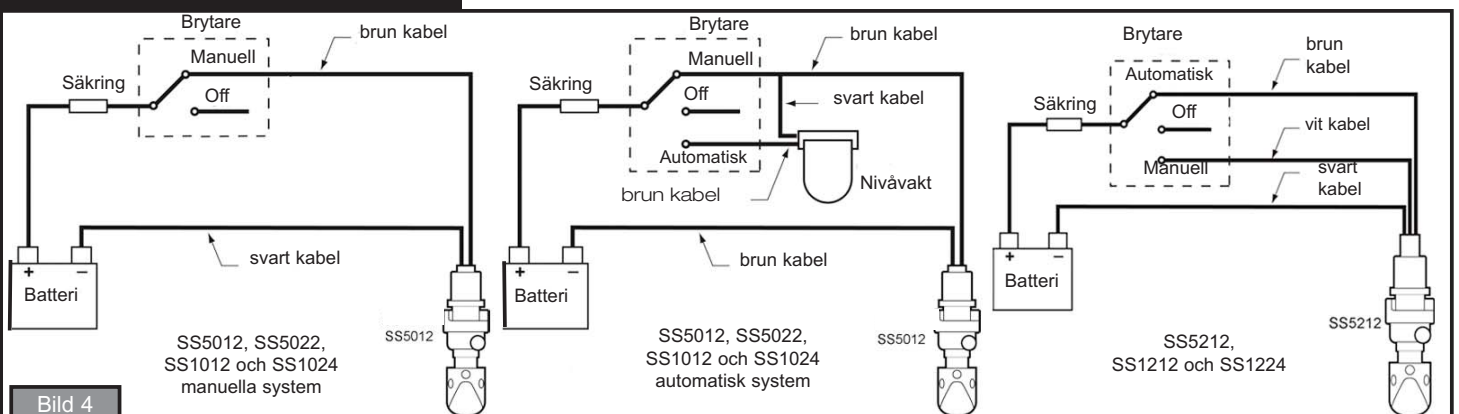


Bild 4

Rördragning

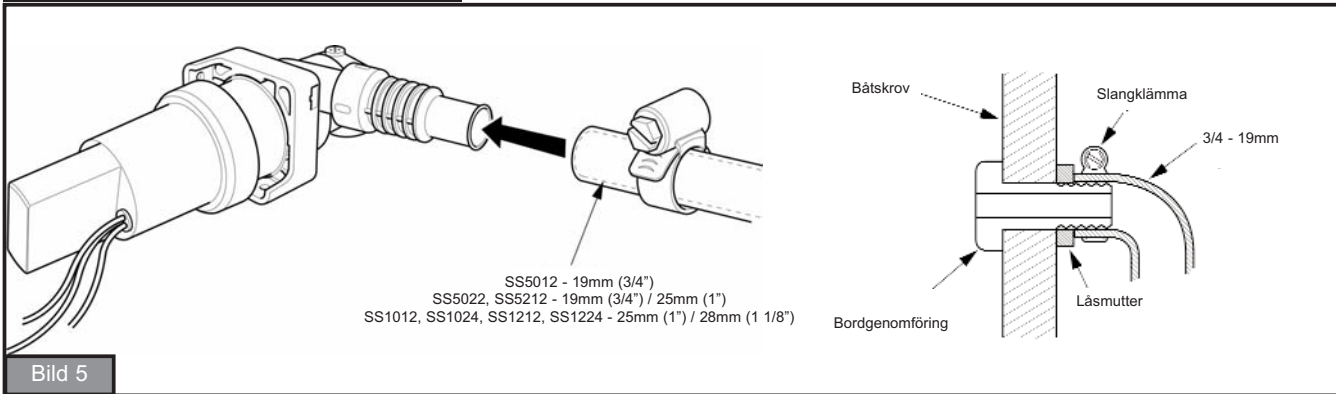


Bild 5

Underhåll

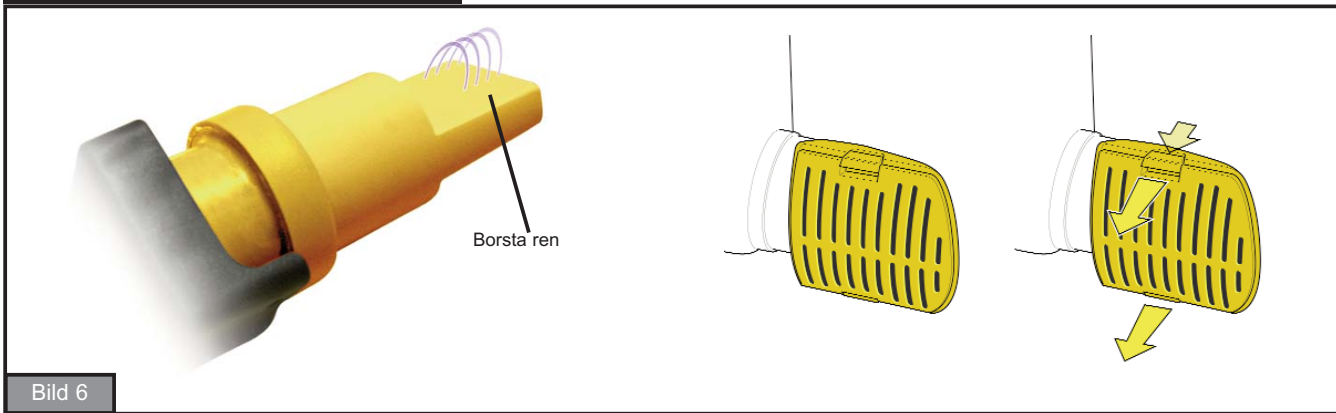


Bild 6

10. EG-Försäkran om överensstämmelse, standarder och typgodkännanden

Produkten uppfyller alla relevanta EU-direktiv och standarder. Kontrollera Whale® för mer information vid behov.

Tillverkarens förklaran

Vi förklarar härmed, som ensamt ansvarig, att bifogad utrustning uppfyller kraven i följande EG-direktiv

Direktivet om elektromagnetisk kompatibilitet 2004/108/EG i medlemsstaternas lagharmonisering gällande elektromagnetisk kompatibilitet.

Fritidsbåtsdirektivet 94/25/EEC ändrat genom 2003/44/EC

Grund för förklaran om överensstämmelse

Urustningen ovan uppfyller skyddskraven i direktivet om elektromagnetisk kompatibilitet.

Tillämpade standarder

EN55014-1:2006	EMC-emissioner
EN55014-2:1999+A2:2008	EMC-immunitet
EN28846:1993	Skydd mot antändning av omgivande brännbara gaser
ISO 8849:2003	Elektriska likströmslänspumpar
ISO 15083:2003	System för länspumpning
ISO 10133:2000	Klenspänningsinstallationer för likström
EN60335-1:2002	Elektriska hushållsapparater och liknande bruksföremål - Säkerhet
EN60335-2-41:2003	Särskilda fordringar på pumpar.

D. S. M. Jorland

Datum: 01/01/11
Position: Teknisk chef

Kiitos että ostit tämän Whale-tuotteen. Whale on ollut markkinajohtaja yli 60 vuoden ajan makeavesi-, pilssi- ja jätevesipumppujen alueilla. Whale on ollut pioneeri suunniteltaessa ja valmistettaessa putkistoja, hanoja, säiliöitä ja suihkulaitteita matalajännitesovelluksiin. Yritys ja sen tuotteet ovat saavuttaneet maineen laadukkaiden, luotettavien ja innovatiivisten tuotteitten valmistajana. Tuotetta tukee tinkimätön asiakaspalvelu. Nähdäksesi täydellisen tuotepaletteimme vieraille kotisivuillamme: www.whalepumps.com

SISÄLTÖ

1. Toimintaperiaatteet	6. Käyttöohjeet
2. Käyttökohteet	7. Vianetsintä
3. Varoitukset	8. Talvivarustelu
4. Valinnaisvarusteet	9. Huollon tuki & Takuuehdot
5. Asennus ohjeet	10. Vaatimustenmukaisuusvakuutus (eu:n vaatimukset, standardit ja hyväksynnät)

KUVIEN LUETTELO

Kuva 1.	Asennus
Kuva 2.	Tyypilliset sijainnit
Kuva 3.	Asennus ohjeet
Kuva 4.	Sähkökaavio
Kuva 5.	Putkityöt
Kuva 6.	Huolto ja ylläpito

VAROITUS:

Huomaa, että väärä asennustapa saattaa mitätöidä takuun.

ASENTAJALLE:

Tarkista, että tuote on sopiva aiottuun asennuskohteeseen. Seuraa näitä ohjeita ja varmista, että myös asennukseen osallistuvat henkilöt lukevat seuraavat kohdat. Varmista, että loppukäyttäjä saa laitteen käyttöohjeet.

LOPPUKÄYTTÄJÄLLE:

Lue seuraavat ohjeet huolellisesti.

1. TOIMINTAPERIAATTEET

Supersub mallit 500, 650 ja 1100 ja Supesub Smart 650 ja 1100 on suunniteltu erityisesti huvialusten pilssiveden nopeaan ja tehokkaaseen poistoon. Supersub-malliston pumput mahtuvat mataliin ja kapeisiin tiloihin joihin muut pilssipumput eivät mahdu. **MALLISSA SS5012, SS5022, SS1012 JA SS1024 EI OLE AUTOMAATI TOIMINTOA.** (Katso kohdasta 4. kytкимиä ja muita valinnaisvarusteita joita voidaan käyttää näiden tuotteiden kanssa.)

Supersub Smart 650 ja 1100 on automaattinen. Se "haistaa" pilssiveden läsnäolon ja käynnistyy automaattisesti. Se sulkee itsensä kun veden pinta on laskenut. Kytкин on toteutettu puolijohdetekniikalla joten siinä ole liikkuvia osia. Supersub Smart 650/1100 sallii pienen vedenpinnan aaltoilun käynnistymättä, sillä siinä on aikaviivekytkin.

2. KÄYTTÖKOhteET

- Supersub-pumput on suunniteltu normaalia pilssivettä varten. Pumpun teho riippuu asennuksesta ja käyttöolosuhteista. Jos pumppua käytetään toiseen tarkoitukseen tai pumppaamaan toisia nesteitä, on käyttäjän velvollisuus varmistaa että pumppu soveltuu tähän tarkoitukseen ja erityisesti, että pumpun materiaalit sopivat aiotun nesteen pumppaamiseen.
- Tätä tuotetta saa ainoastaan käyttää huviveneiden pilssissä. Jos pumppua käytetään ainoana tai ensisijaisena pilssi- pumppuna, mallit Supersub 500, 650 ja 1100, Supersub Smart 650 ja 1100 soveltuu enintään 24 metrin aluksiin.
- Pilssivesi tulee johtaa ulos asianmukaisesti asennetun läpiviennin kautta, joka sijaitsee vesirajan yläpuolella.

3. VAROITUKSET

- Supersub-mallisto on suunniteltu ainoastaan normaalin pilssiveden poistoon huvialuksissa (kuten selostettu kohdassa 2.). Tuotteen takuu saattaa raueta jos tuotetta on käytetty muihin tarkoituksiin käyttöohjeessa ja/tai pakkauksessa ja pumpun rungossa olevan tuotemäärätteen vastaisesti.
- Pumpattava vesi on poistettava vesirajan yläpuolella sijaitsevan läpiviennin kautta ((katso tyypilliset asennukset)). Supersub-sarjaa ei saa käyttää järjestelmissä, joissa vesi tyhjenetään pintaliittimen tai pohjaventiilin kautta vesirajan alapuolella. Kaikissa putkiliitoksissa on oltava oikein asennettu takaiskuventtiili / silmukka.
- TÄRKEÄÄ:** Pilssipumpun teho ei välttämättä riitä vedenpoistoon tilanteissa, joissa esim. myrsky, rankkasateet ja/tai aluksen vauriot vaurioista tai vaarallisista veneilyolosuhteista johtuvat suuret vuodot tuovat alukseen paljon vettä.
- Kaikissa käyttötapoissa on tärkeää varmistaa, että järjestelmän asennuksessa, käytössä ja huollossa noudatetaan turvallisia työtapoja. Ennen asennusta varmista, että sähkövirta on kytketty pois päältä ja, että poistovesijärjestelmä on tyhjenetty.
- Asennusalustan on oltava vähintään 19 mm paksu (kun yksikkö kiinnitetään toimitukseen kuuluvilla ruuveilla), jotta asennus on tukeva.
- TÄRKEÄÄ:** Älä ruuvaa yksikköä suoraan runkoon, vaan esim. tukilaipioon tai erityiselle alustalle.
- TÄRKEÄÄ:** ÄLÄ ruuvaa takaosaa irti, sillä pumppu on käyttökelvoton, jos sen sisäpuolella oleviin sähköosiin on koskettu. - Tätä osaa pumpusta ei voida huoltaa.
- VAROITUS:** Palovaara. Johtokytkentöjen on vastattava voimassa olevia standardeja ja niissä on oltava oikein mitoitettut sulakkeet tai virrankatkaisija. Väärä johdotus saattaa aiheuttaa tulipalon, joka voi johtaa vammautumiseen tai kuolemaan. Kytke virta pois päältä kytkentöjen ajaksi. Kytkentämalli on suuntaa-antava ehdotus.

4. VALINNAISVARUSTEET

LV1219	Takaiskuventtiili, suositellaan kaikkiin SS5012.
BE9003 / BE9006	Automaattinen vesiaktivoitu elektroninen kytkin (mallin SS5012, SS5022, SS1012 ja SS1024)
BE9002	Automaattikatkaisija (katso kuva 3, Supersub automaattinen järjestelmä)
SK5131	¾" läpivienti (SS5012, SS5022 ja SS5212)
SF5204	1" läpivienti (SS1012, SS1024, SS1212 ja SS1224)

5. ASENNUS OHJEET

(Katso asennus kuvat (sivulla 4))

6. Käyttöohjeet

SS5012, SS5022, SS1012 ja SS1024 - käsikäyttöinen järjestelmä:

Vaihe 1: Tässä järjestelmässä pumppu käynnistetään käsin, eli kytkin on asetettava ON asentoon (Kuva 4, Supersub käsikäyttöinen järjestelmä).
Vaihe 2: Supersub on sammutettava heti kun vesi on poistettu pilssistä. Pumpun kuivana käyttäminen lyhentää sen elinikää.

SS5012, SS5022, SS1012 ja SS1024 - automaattiset järjestelmät:

Vaihe 1: Kun pumppua käytetään automaattikytkimien BE9002, BE9003 ja BE9006 kanssa, pumppu voidaan jättää automaattisesti käytettäväksi tai se voidaan kytkeä käsikäyttöön (Kuva 4, Supersub automaattinen järjestelmä).

SS5212, SS1212 ja SS1224:

Vaihe 1: Aseta 3-tiekytkin asentoon Automatic (Kuva 4 Supersub Smart 650/1100). Tällöin pumppu käy tarvittaessa. Aseta sormet tunnistimen alueelle. Pumppu käynnistyy. Ota sormet pois, ja pumppu sammuu 15 sekunnin sisällä. Tarkista pumppu säännöllisesti varmistaaksesi ettei siinä ole tukoksia (Kuva 5).

7. Vianetsintä

OIRE	MAHDOLLINEN VIKA	KORJAUSTOIMENPIDE
Huono virtaus	Tukkeutunut tai likainen suodatin ja/tai siipipyörä	Tarkista tukokset suodattimessa/siipipyörässä. Puhdista lämpimällä saippuavedellä. (Älä käytä kemiallisia puhdistusaineita.)
	Tukkeutunut tai likainen putkisto ja/tai liitokset	Irrota pumppu ja tarkista virtaus putkessa. Poista tukos ja puhdista putkisto tarpeen mukaan.
	Ahdas putkisto tai liitokset	Korvaa ahtaat liitokset väljemmillä. Korjaa litistyneet kohdat putkissa.
	Alhainen akkujännite	Tarkista akun elektrolyytin taso. Korjaa nestepinta ja lataa akku tarpeen mukaan.
Ei virtausta	Täysin tukkeutunut tai likainen suodatin ja/tai siipipyörä	Tarkista tukokset suodattimessa/siipipyörässä. Puhdista lämpimällä saippuavedellä. (Älä käytä kemiallisia puhdistusaineita.)
	Tukkeutunut tai likainen putkisto ja/tai liitokset	Irrota pumppu ja tarkista virtaus putkessa. Poista tukos ja puhdista putkisto tarpeen mukaan.
	Palanut sulake	Suorita kaksi yllä olevaa toimenpidettä ensin. Vaih sulake uuteen.
	Akku tyhjä	Tarkista akun elektrolyytin taso. Korjaa nestepinta ja lataa akku tarpeen mukaan. Vaihda akku tarvittaessa uuteen.
	Väärin asennettu anturi	Katso tuotteen mukana tullutta asennusohjetta. Se löytyy myös nettisivulta.
	Pumppu rikkoutunut	Jos takuu voimassa (1 vuosi), ota yhteys jälleenmyyjään. Vaihda pumppu uuteen.
Jatkuva käynti (Vain automaattiset ja Smart- järjestelmät)	Kytkimen virhetoiminta	Viallinen On-Off kytkin.
		Väärin asennettu automaattikytkin.
		Viallinen kohokytkin tai elektroninen kytkin
	Kytkimen koho takertunut (käsikäyttöinen järjestelmä)	Tarkista, ettei pilssissä ole irtoneaisia esineitä jotka voivat haitata kohon vapaata liikkumista.
		Varmista, että koho pääsee liikkumaan vapaasti.
	Elektroninen kytkin on jatkuvasti aktivoitu.	Pumppu asennettu väärään asentoon. Katso tuotteen mukana tullutta asennusohjetta. Se löytyy myös nettisivulta.
		Tarkista, ettei pilssissä ole irtoneaisia esineitä jotka voivat haitata kohon vapaata liikkumista.
		Tunnistin on liian lähellä putkistoa, aluksen runkoa tai muuta massiivista objektia.
Paksu kerrostuma anturin päällä - Pyyhi puhtaaksi		

8. Talvivarustelu

Jäätyminen talvella saattaa vahingoittaa Supersub-järjestelmän komponentteja.

Välttääksesi tällaiset vauriot tyhjennä pilssi vedestä säännöllisesti ennen talven tuloa ja myös talven kuluessa.

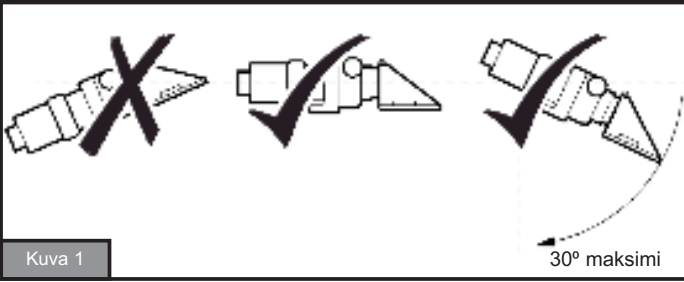
9. Huollon tuki ja takuehdot

Supersub-mallistossa ei ole käyttäjän huollettavia osia. Jos pumppuun tulee vika väärinkäytön vuoksi tai pumpun takuu-aika on päättynyt, on hankittava tilalle kokonainen uusi laite. Takuehdot löytyvät oheisesta asiakirjasta.

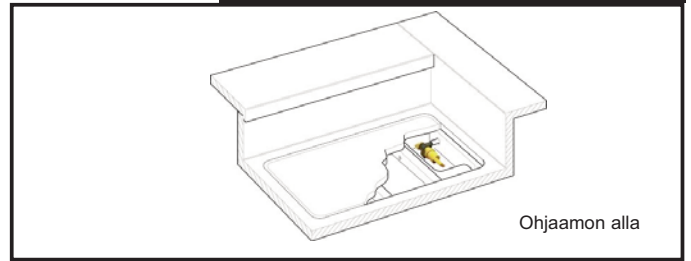
Pilssissä vallitsevien vaativien olosuhteiden vuoksi suosittelemme, että upotettava pilssipumppu vaihdetaan uuteen kolmen vuoden välein. Lämpötilat vaihtelevat pilssissä erittäin paljon ja kemialliset rasitukset

Whalen politiikan mukaisesti varaamme oikeuden tuotteiden jatkuvaan kehittämiseen ja muuttaa tuotemäärittä ilman eri ilmoitusta. Kuvat ovat viitteellisiä ja ne on annettu vain havainnollistamistarkoituksessa.

ASENNUS SUPERSUB 500/ SUPERSUB SMART 650/1100/1500

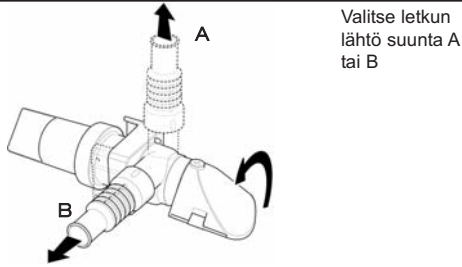


Tyypilliset sijainnit

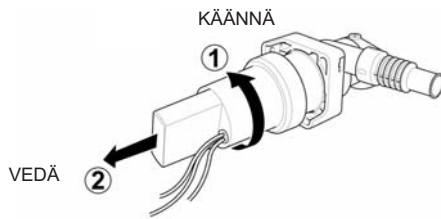


Asennusohjeet

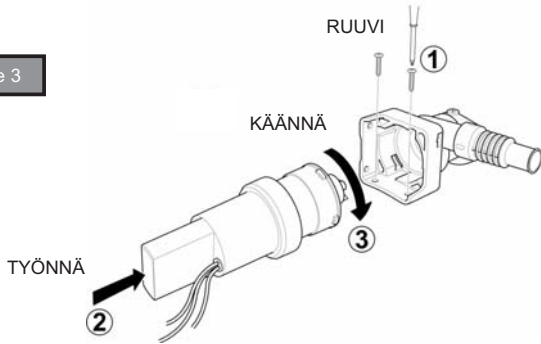
Vaihe 1



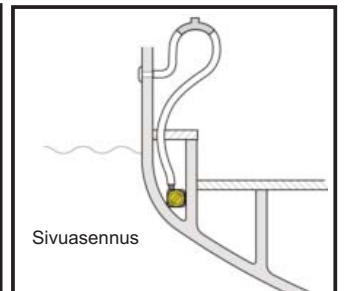
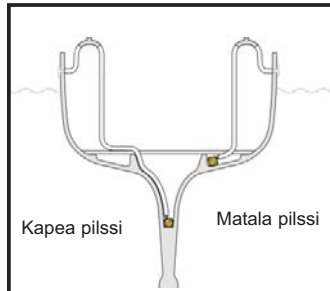
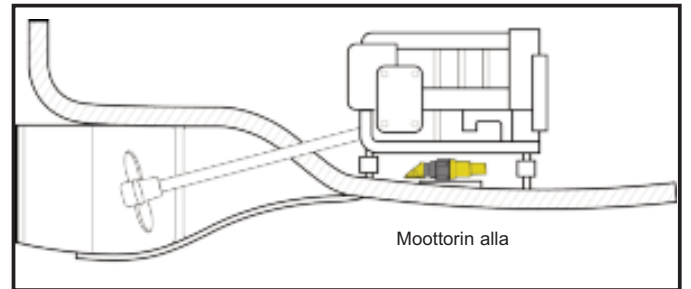
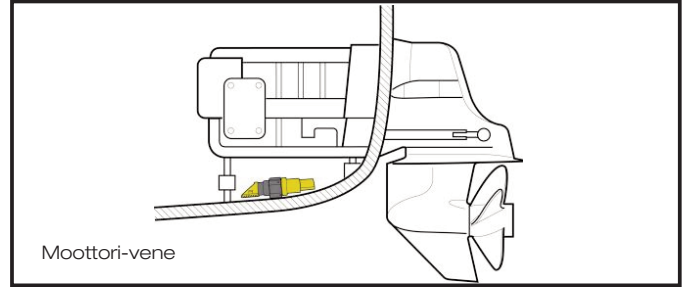
Vaihe 2



Vaihe 3

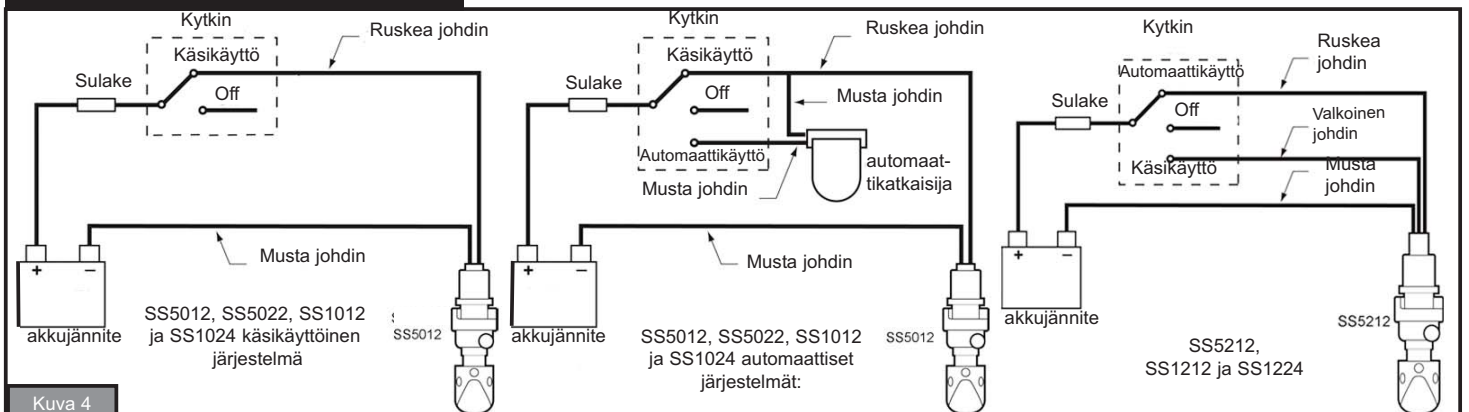


Kuva 3 - Huom! Älä ruuvaa pumpua suoraan veneen pohjaan.

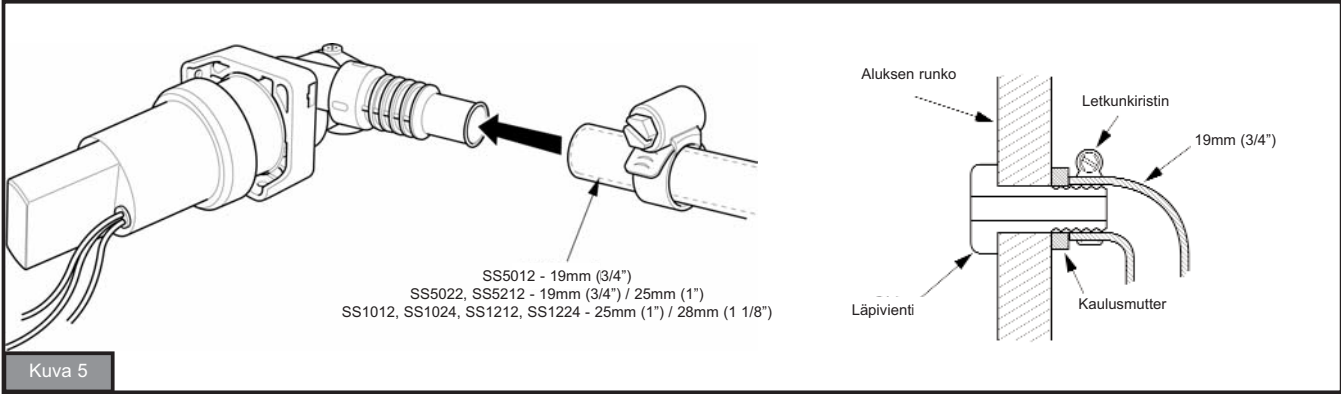


Kuva 2

Sähkökaaviot

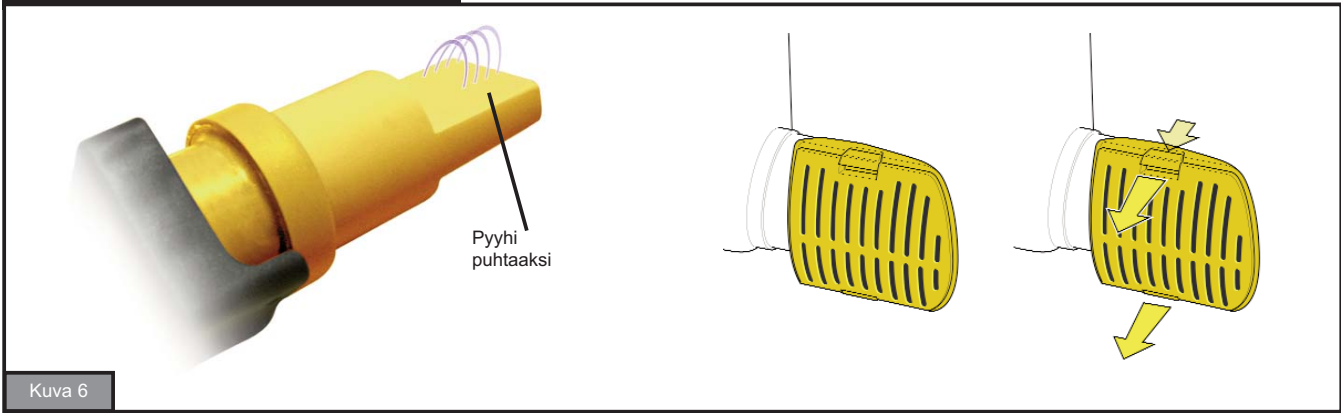


Putkityöt



Kuva 5

Huolto ja ylläpito



Kuva 6

10. Vaatimustenmukaisuusvakuutus (eu:n vaatimukset, standardit ja hyväksynnät)

Tämä tuote täyttää kaikkien olennaisten eurooppalaisten direktiivien ja standardien vaatimukset. Whale® antaa tarvittaessa lisätietoja.

Valmistajan vakuutus

Täten vakuutamme, että tämä laite on seuraavien EU-direktiivien vaatimusten mukainen.

EMC-direktiivi 2004/108/EY jäsenvaltioiden sähkömagneettista yhteensopivuutta koskevien lakien mukaisesti.

Huvivenedirektiivi 94/25/ETY, muutokset direktiivin 2003/44/EY mukaisesti

Vaatimustenmukaisuuden perusteet

Edellä oleva laite on EMC-direktiivin suojausmääräysten

Sovelletut standardit

EN55014-1:2006	EMC-päästöt
EN55014-2:1999+A2:2008	EMC-immuniteetti
EN28846:1993	Syttymissuojaus
ISO 8849:2003	Tasasähkökäyttöiset pilssipumput
ISO 15083:2003	Pilssipumppausjärjestelmät
ISO 10133:2000	Matalajänniteasennukset tasavirtajärjestelmässä
EN60335-1:2002	Kodinkoneiden ja muiden vastaavien sähkölaitteiden turvallisuus
EN60335-2-41:2003	Erytisvaatimukset pumpuille.

Päivämäärä: 01/01/11

Asema: Tekniikkapäällikkö

R. S. M. J. J. J.