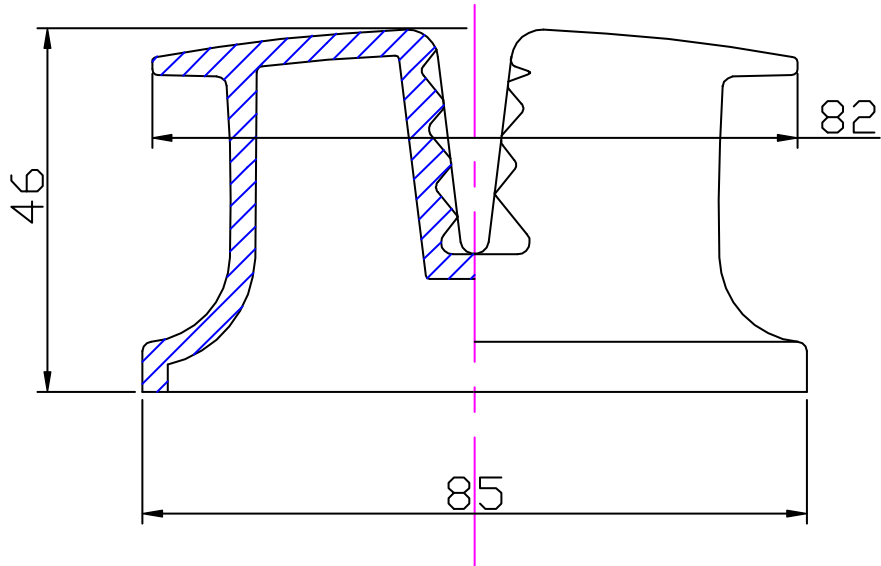
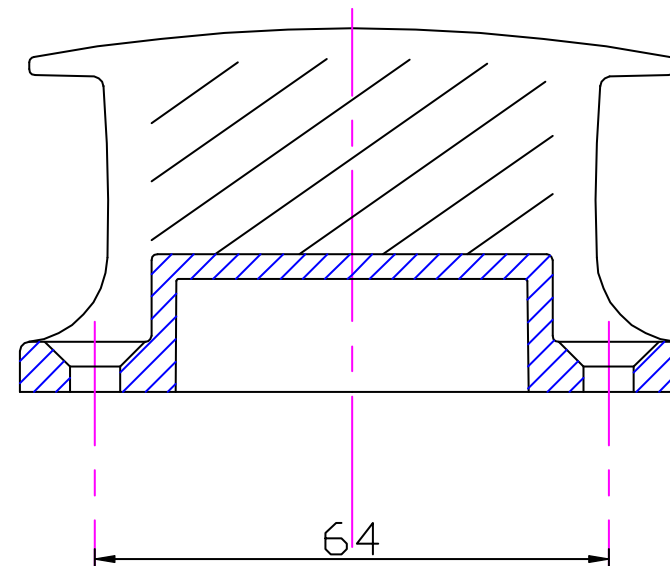


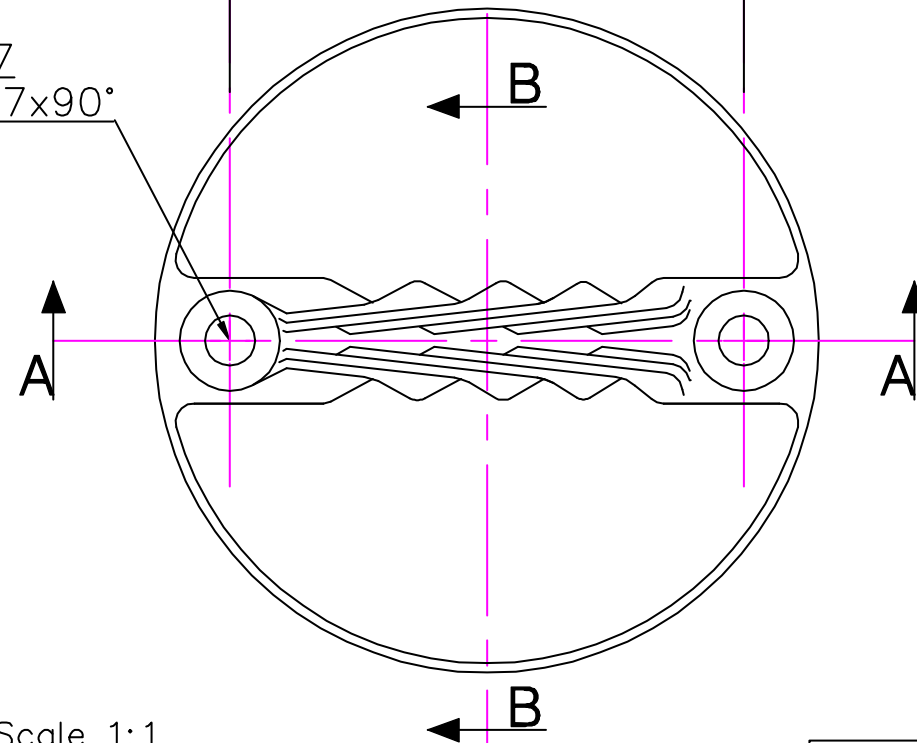
### Half Section 'BB'



### Section 'AA'



2 Holes  $\phi 6.7$   
 countersunk  $\phi 12.7 \times 90^\circ$



Issue: 1. Jan 2001  
 ID208.dwg

Material:  
 Nylon

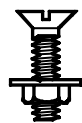
Installation Drawing for: -

**CL208**

Clam Bollard



$\phi 6 - 10\text{mm}$   
 $1/4" - 3/8"$



M6  
 $1/4"$



Clamcleats Limited  
 Watchmead  
 Welwyn Garden City  
 Hertfordshire AL7 1AP  
 England

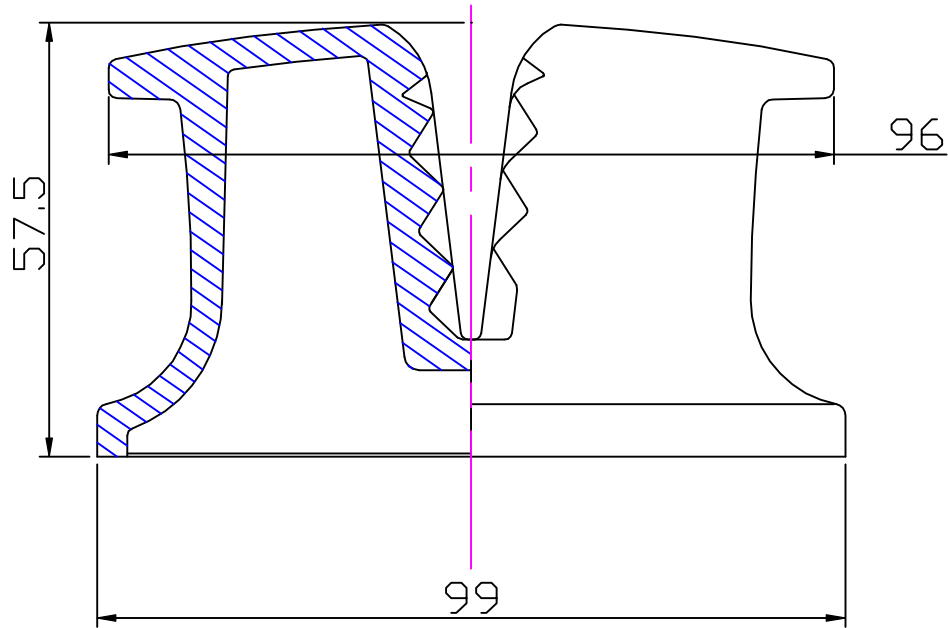
Telephone +44 (0)1707 330101  
 Fax +44 (0)1707 321269  
<http://www.clamcleat-rope-cleats.com>



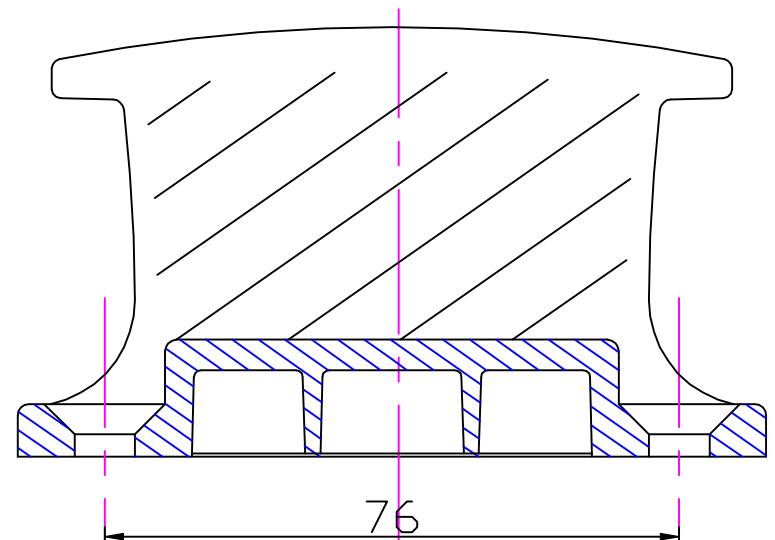
Scale 1:1  
 All dimensions in mm.

**CL208**

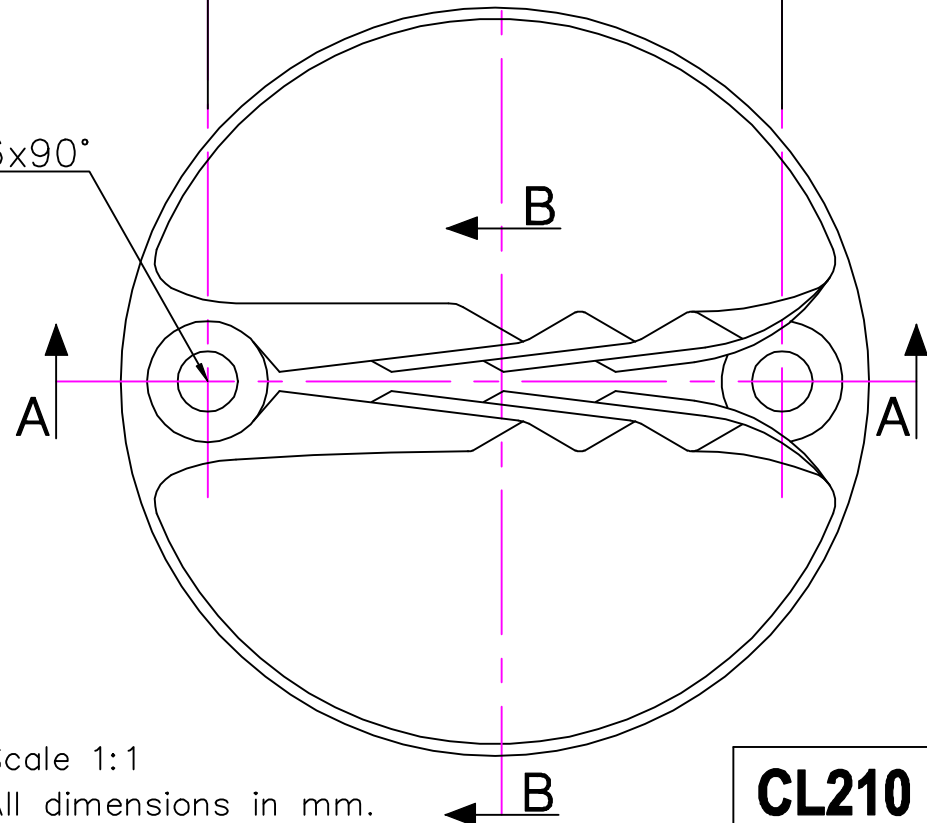
# Half Section 'BB'



# Section 'AA'



2 Holes  $\varnothing 8$   
countersunk  $\varnothing 16 \times 90^\circ$



Issue: 1. Dec 2000  
ID210.dwg

Material:  
Nylon

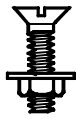
Installation Drawing for: -

**CL210**

Clam Bollard Major



$\varnothing 10-16\text{mm}$   
3/8" - 5/8"



M8  
5/16"



Clamcleats Limited  
Watchmead  
Welwyn Garden City  
Hertfordshire AL7 1AP  
England

Telephone +44 (0)1707 330101  
Fax +44 (0)1707 321269  
<http://www.clamcleat-rope-cleats.com>



Scale 1:1

All dimensions in mm.

**CL210**