



Micros cleat range Nylon and Aluminium

- Small, neat and lightweight for 1- 4mm $3/64''$ - $5/32''$ rope.
- Advanced tooth technology to hold all types of small rope.
- Can be fixed with standard screws and rivets, on tubular or flat surfaces.

Some Applications - Window blinds (cord control). Canoes (seat & rudder lines). Control lines on dinghies (Optimist booms & carbon tillers). Kitesurfing (5th line adjustment).

Open Cleat



Available soon

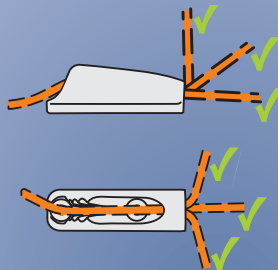
Aluminium or Nylon

Aluminium or Nylon.
Compact to fit into small locations.
Ideal when a rope is not always cleated.

Fairlead Cleat



Aluminium or Nylon



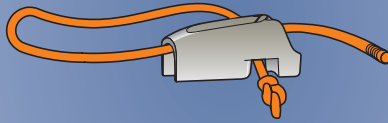
Fairlead strengthens cleat and allows quick fine adjustments of the rope.
Helps hold rope into teeth when a line is flogging.



Fairlead Cleat with Becket



Aluminium only



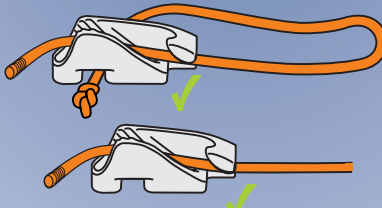
Large Becket makes it easy for frequent de-rigging.



Side entry Cleat with Becket



Aluminium only

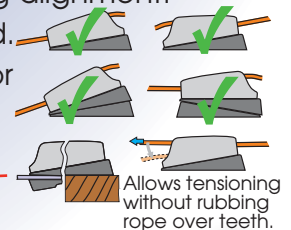


Side entry cleats gives the benefit of a fairlead but use of temporary cleating.



Tapered Pad allows correct rope/cleating alignment.
Cleats can be mounted either way round.
Pads can be stacked to increase angle or create a riser block.

Backplate provides support on thin deck sections.

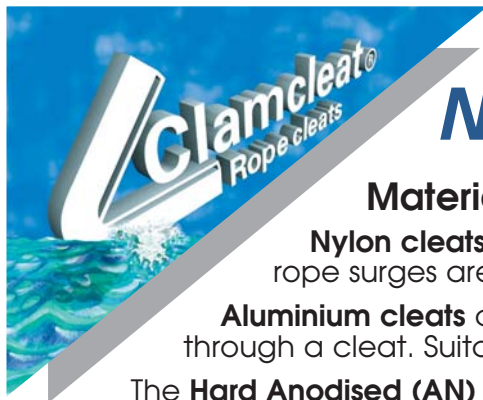


Allows tensioning without rubbing rope over teeth.

Clamcleats Limited Watchmead Welwyn Garden City Hertfordshire AL7 1AP England
Telephone 01707 330101 Fax 01707 321269 e-mail sales@clamcleat.com
www.clamcleat.com

Schiffsausrüster
TOPLICHT

Tel.: +49 (0)40 - 88 90 100
www.toplicht.de



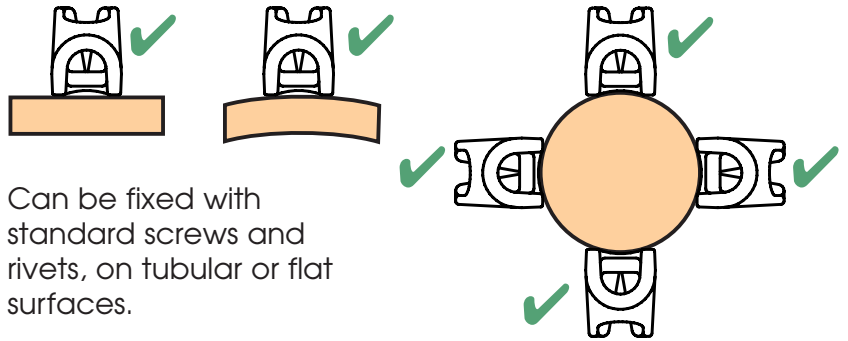
Micros cleat range Nylon and Aluminium

Material Selection

Nylon cleats offer very good value for money and are ideal where high loads or rope surges are not likely to be encountered.

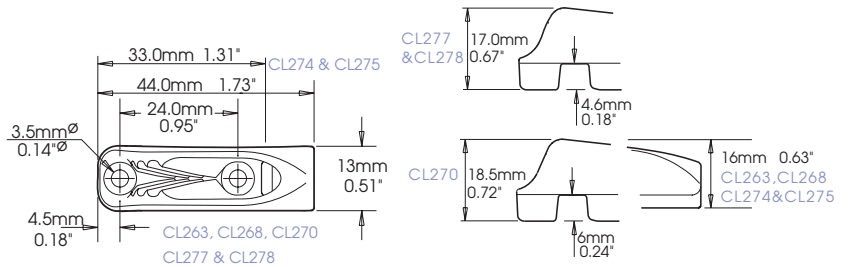
Aluminium cleats are unaffected by the heat generated by a rope surging back through a cleat. Suitable for sub-zero temperatures. Good corrosion resistance.

The **Hard Anodised (AN)** finish gives a high-tech and fashionable appearance as well as offering superior resistance to sea water corrosion.



Can be fixed with standard screws and rivets, on tubular or flat surfaces.

| | mm Ø | | inch Ø | | mm Ø | mm Ø | mm Ø | Gms | Ozs |
|---|-----------|---------------|--------|--------|-------|------|------|-----|------|
| | mm Ø | inch Ø | mm Ø | inch Ø | | | | | |
| CL263 & CL263W White Micros | 1 - 4 | Nylon | A44 | B24 | C13 | 3.2 | #4 | 3 | 5 |
| | 3/64-5/32 | Aluminium | A13/4 | B15/16 | C1/2 | 1/8 | 1/8 | No4 | 0.2 |
| CL268 & CL268AN Hard Anodised Racing Micros | 1 - 4 | Aluminium | A44 | B24 | C13 | 3.2 | #4 | 3 | 11 |
| | 3/64-5/32 | Aluminium | A13/4 | B15/16 | C1/2 | 1/8 | 1/8 | No4 | 0.4 |
| CL270 & CL270AN Hard Anodised Racing Micros with Becket | 1 - 4 | Aluminium | A44 | B24 | C13 | 3.2 | #4 | 3 | 13 |
| | 3/64-5/32 | Aluminium | A13/4 | B15/16 | C1/2 | 1/8 | 1/8 | No4 | 0.5 |
| CL274 & CL274W Open Micros | - | Nylon | A33 | B24 | C13 | 3.2 | #4 | 3 | 3 |
| | - | Aluminium | A15/16 | B15/16 | C1/2 | 1/8 | 1/8 | No4 | 0.1 |
| CL275 & CL275AN Open Racing Micros | - | Aluminium | A33 | B24 | C13 | 3.2 | #4 | 3 | 7 |
| | - | Aluminium | A15/16 | B15/16 | C1/2 | 1/8 | 1/8 | No4 | 0.25 |
| CL277 & CL277AN Hard Anodised Side entry Racing Micros with Becket (Starboard) | 1 - 4 | Aluminium | A44 | B24 | C14 | 3.2 | #4 | 3 | 11 |
| | 3/64-5/32 | Aluminium | A13/4 | B15/16 | C9/16 | 1/8 | 1/8 | No4 | 0.4 |
| CL278 & CL278AN Hard Anodised Side entry Racing Micros with Becket (Port) | 1 - 4 | Aluminium | A44 | B24 | C14 | 3.2 | #4 | 3 | 11 |
| | 3/64-5/32 | Aluminium | A13/4 | B15/16 | C9/16 | 1/8 | 1/8 | No4 | 0.4 |
| CL823 Tapered Pad for CL263, CL268, CL270, CL277 & CL278 | - | Polypropylene | A47 | B - | C19 | 3.2 | #4 | 3 | 4 |
| | - | Polypropylene | A13/16 | B - | C3/4 | 1/8 | 1/8 | No4 | 0.15 |





Mk2 Junior cleat range Nylon and Aluminium

- Small, neat and lightweight for 3 - 6mm 1/8" - 1/4" rope.
- Advanced tooth technology to hold all types of small rope.
- Can be fixed with standard screws and rivets, on tubular or flat surfaces.

Some Applications - Window blinds (cord control). Canoes (seat & rudder lines). Control lines on dinghies. Kitesurfing (Brake Line adjustment).

Open Cleat



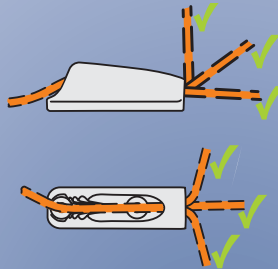
Aluminium or Nylon

Compact to fit into small locations. Ideal when a rope is not always cleated.

Fairlead Cleat



Aluminium or Nylon

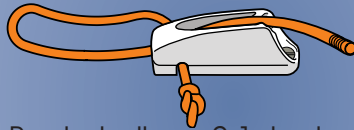


Fairlead strengthens cleat and allows quick fine adjustments of the rope. Helps hold rope into teeth when a line is flogging.

Fairlead Cleat with Becket



Aluminium only



Becket allows 2:1 rigging.

Side entry Cleat



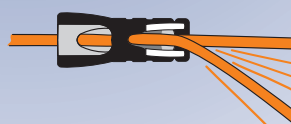
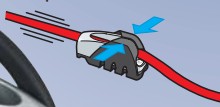
Aluminium only

1. Rope runs free
Keeper is closed to stop rope going into cleat teeth

2. Pull rope back and down to cleat
Keeper opens to allow rope into teeth

3. Rope gripped
Keeper holds rope in cleat

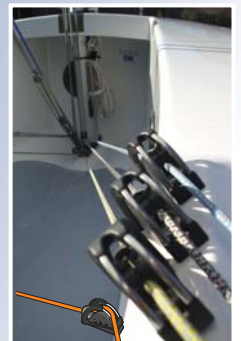
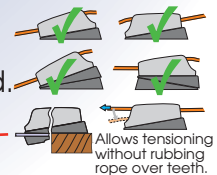
4. Lift up to release
Keeper opens to allow rope out of teeth

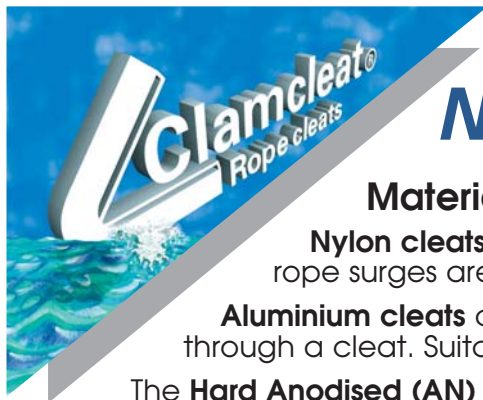


Cage allows easy cleating at extreme angles.



Tapered Pad allows correct alignment. Cleats can be mounted either way round. Backplate provides support on thin deck sections.





Mk2 Junior cleat range Nylon and Aluminium

Material Selection

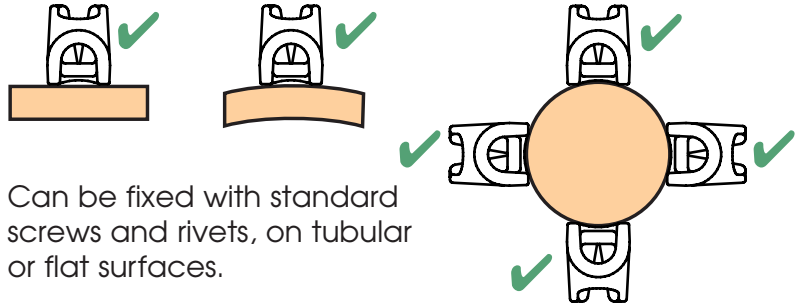
Nylon cleats offer very good value for money and are ideal where high loads or rope surges are not likely to be encountered.

Aluminium cleats are unaffected by the heat generated by a rope surging back through a cleat. Suitable for sub-zero temperatures. Good corrosion resistance.

The **Hard Anodised (AN)** finish gives a high-tech and fashionable appearance as well as offering superior resistance to sea water corrosion.



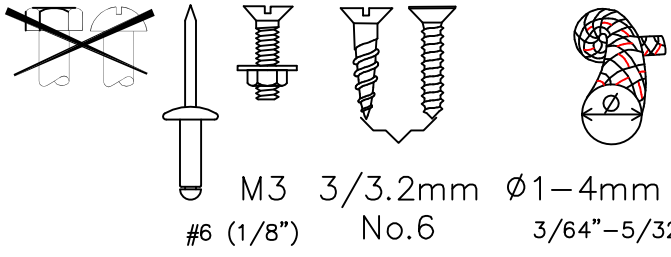
Available soon



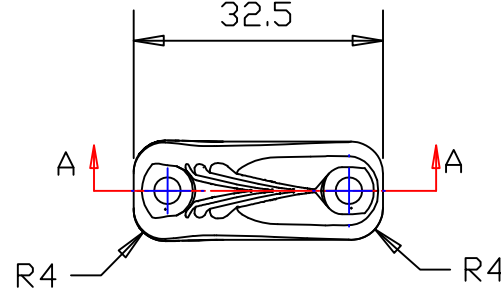
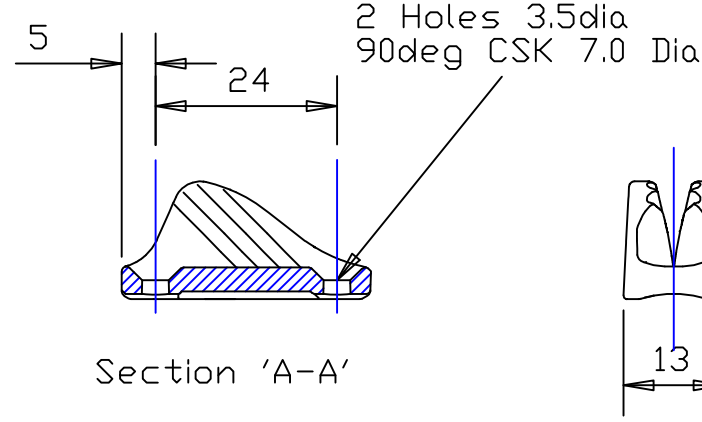
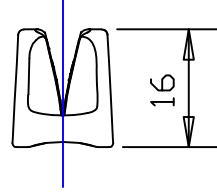
Can be fixed with standard screws and rivets, on tubular or flat surfaces.



| Cleats for ropes to 6mm (1/4") | | A B C | | | mm Ø | mm Ø | mm Ø | Gms |
|--|--------|-------------------------|------|------|--------|------|-------|-----|
| mm Ø | inch Ø | mm | inch | mm Ø | inch Ø | mm Ø | Gauge | Ozs |
| CL204 & CL204W White Mini | | Nylon | | | 3 - 6 | #8 | 4.2 | 9 |
| 1/8-1/4 | | A52 B36 C17 | | 3.2 | 4 | No8 | | 0.3 |
| CL211 Mk2 & CL211 Mk2AN Hard Anodised Racing Junior Mk2 | | Aluminium | | | 3 - 6 | #8 | 4.2 | 21 |
| 1/8-1/4 | | A2 1/8 B1 1/16 C1 1/16 | | 3.2 | 4 | No8 | | 0.8 |
| CL211Mk2/S2 & CL211Mk2AN/S2 Hard Anodised Racing Junior Mk2 with Becket | | Aluminium | | | 3 - 6 | #8 | 4.2 | 21 |
| 1/8-1/4 | | A55 B27 C17 | | 3.2 | 4 | No8 | | 0.8 |
| CL217 Mk2 & CL217 Mk2AN Hard Anodised Side entry (Starboard) | | Aluminium | | | 3 - 6 | #8 | 4.2 | 24 |
| 1/8-1/4 | | A2 1/8 B1 1/16 C1 1/16 | | 3.2 | 4 | No8 | | 0.8 |
| CL218 Mk2 & CL218 Mk2AN Hard Anodised Side entry (Port) | | Aluminium | | | 3 - 6 | #8 | 4.2 | 24 |
| 1/8-1/4 | | A55 B27 C17 | | 3.2 | 4 | No8 | | 0.8 |
| CL222 & CL222AN Hard Anodised Racing Mini | | Aluminium | | | 3 - 6 | #8 | 4.2 | 16 |
| 1/8-1/4 | | A48 B36 C15 | | 3.2 | 4 | No8 | | 0.6 |
| CL272 & CL272W White Nylon Mk2 Junior | | Nylon | | | 3 - 6 | #8 | 4.2 | 12 |
| 1/8-1/4 | | A55 B27 C17 | | 3.2 | 4 | No8 | | 0.4 |
| CL815 Keeper | | Acetal | | | 3 - 6 | #8 | 4.2 | 9 |
| 1/8-1/4 | | A - B - C - | | 3.2 | 4 | No8 | | 0.3 |
| CL817 Cage | | Nylon & Stainless steel | | | - | - | - | 23 |
| - | | A - B - C - | | - | - | - | | 0.8 |
| CL802 Tapered Pad | | Polypropylene | | | 3 - 6 | #8 | 4.2 | 4 |
| 1/8-1/4 | | A 57 B - C21 | | 3.2 | 4 | No8 | | 0.1 |
| CL819 Tapered Pad | | Polypropylene | | | 3 - 6 | #8 | 4.2 | 8 |
| 1/8-1/4 | | A2 1/4 B - C13 1/16 | | 3.2 | 4 | No8 | | 0.3 |
| CL802 Tapered Pad | | Polypropylene | | | 3 - 6 | #8 | 4.2 | 8 |
| 1/8-1/4 | | A60 B27 C23 | | 3.2 | 4 | No8 | | 0.3 |
| CL819 Tapered Pad | | Polypropylene | | | 3 - 6 | #8 | 4.2 | 8 |
| 1/8-1/4 | | A2 3/8 B1 1/16 C29 3/32 | | 3.2 | 4 | No8 | | 0.3 |



Notes: -
For marine applications, use a silicone sealant or a bedding compound to avoid electrolytic action between the cleat and metal fastenings.



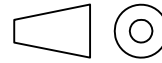
Issue: 1 Oct 2009
ID274.dwg

Material:
Nylon

Installation Drawing for: -

CL274

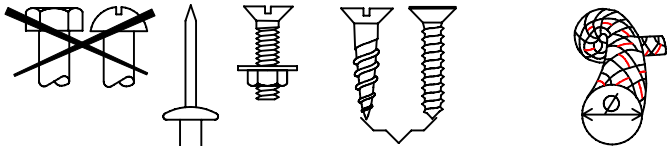
Open Micros



Scale 1:1
All dimensions in mm.

Clamcleat®
Rope cleats

Clamcleats Limited
Watchmead
Welwyn Garden City
Hertfordshire AL7 1AP
England
Telephone +44 (0)1707 330101
Fax +44 (0)1707 321269
Email sales@clamcleat.com
www.clamcleat.com

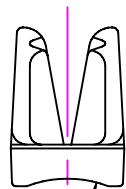


M4 4/4.2mm ϕ 3-6mm
 #8 (5/32") No. 8 1/8" - 1/4"

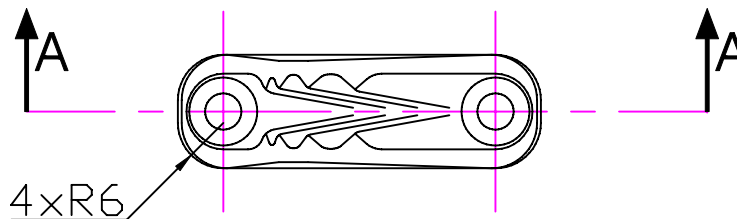
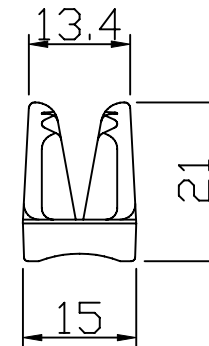
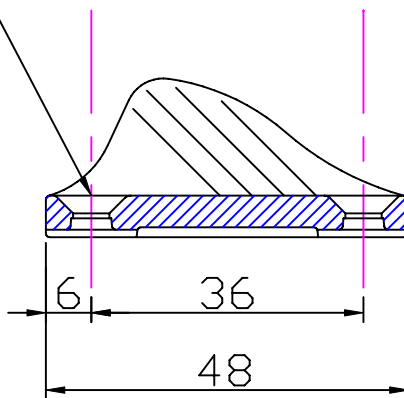
Notes: -
 For marine applications, use a silicone sealant or a bedding compound to avoid electrolytic action between the cleat and metal fastenings.

2 Holes ϕ 4.8
 countersunk ϕ 9.0x90°

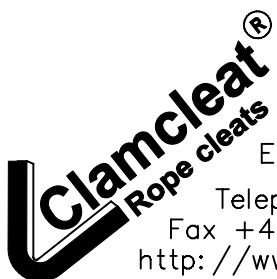
Section 'AA'



R15



4xR6



Clamcleats Limited
 Watchmead
 Welwyn Garden City
 Hertfordshire AL7 1AP
 England

Telephone +44 (0)1707 330101
 Fax +44 (0)1707 321269
<http://www.clamcleat-rope-cleats.com>



Scale 1:1
 All dimensions in mm.

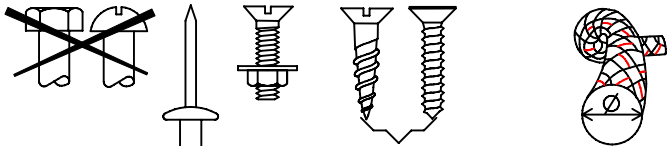
Issue: 2. May 2006
 ID222.dwg

Material:
 Diecast Aluminium

Installation Drawing for:-

CL222

Racing Mini

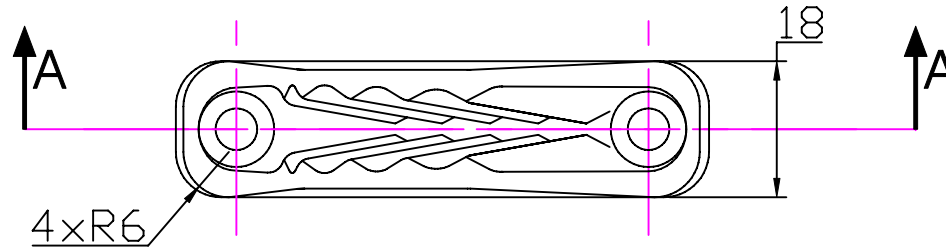
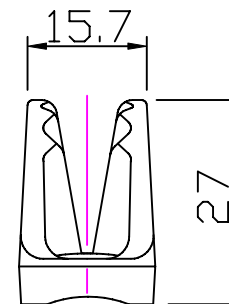
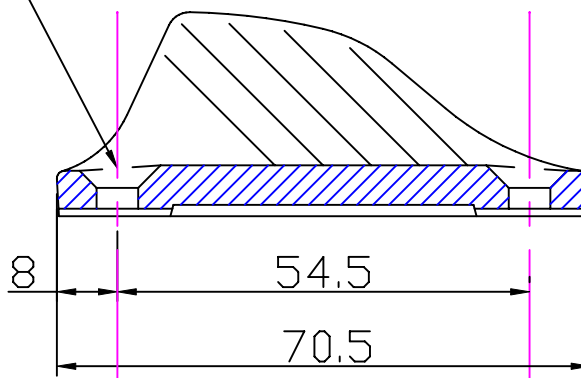
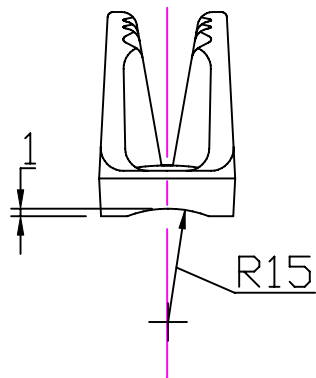


M5 4.8/5mm ϕ 4-8mm
 #10 (3/16") No.10 3/16"-5/16"

Notes: -
 For marine applications, use a silicone sealant or a bedding compound to avoid electrolytic action between the cleat and metal fastenings.

2 Holes ϕ 5.5
 countersunk ϕ 10.0x90°

Section 'AA'



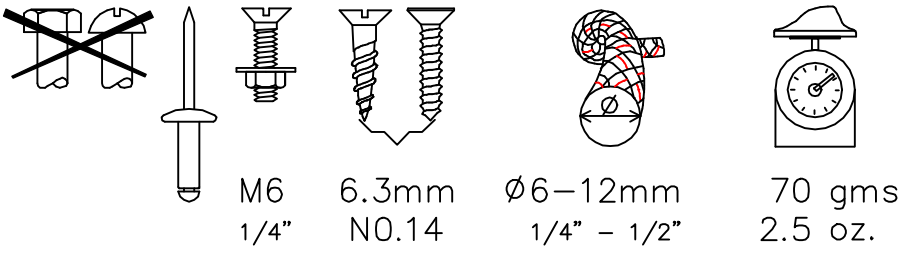
Clamcleat®
 Rope cleats

Clamcleats Limited
 Watchmead
 Welwyn Garden City
 Hertfordshire AL7 1AP
 England

Telephone +44 (0)1707 330101
 Fax +44 (0)1707 321269
<http://www.clamcleat-rope-cleats.com>

Scale 1:1
 All dimensions in mm.

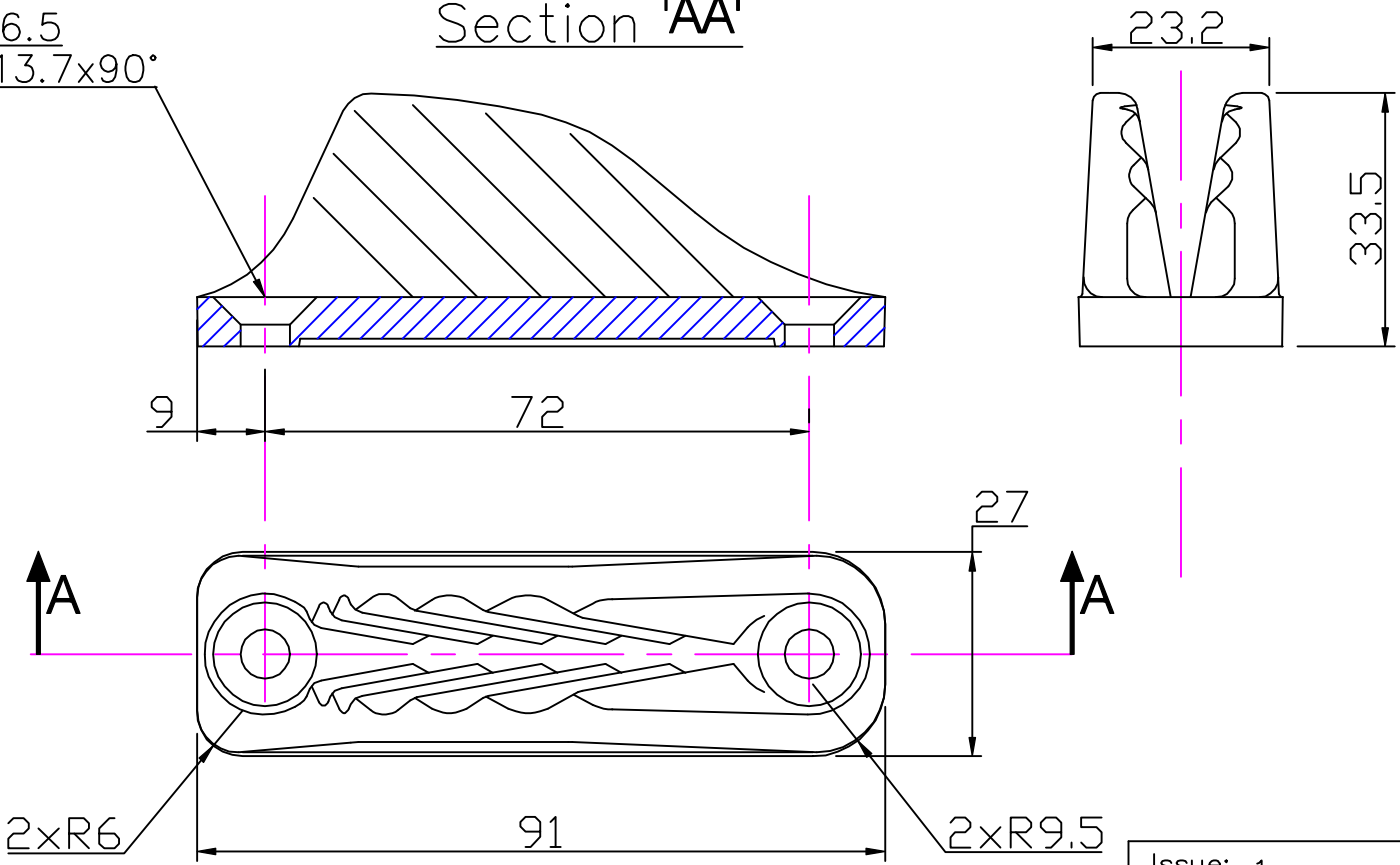
| | |
|---|----------|
| Issue: 2. | May 2006 |
| ID254.dwg | |
| Material: Diecast Aluminium | |
| Installation Drawing for:- CL254 Racing Midi | |



Notes: -
For marine applications, use a silicone sealant or a bedding compound to avoid electrolytic action between the cleat and metal fastenings.

Section 'AA'

2 Holes Ø6.5
countersunk Ø13.7x90°



Clamcleat®
Rope cleats

Clamcleats Limited
Watchmead
Welwyn Garden City
Hertfordshire AL7 1AP
England

Telephone +44 (0)1707 330101
Fax +44 (0)1707 321269
<http://www.clamcleat-rope-cleats.com>

Scale 1:1
All dimensions in mm.

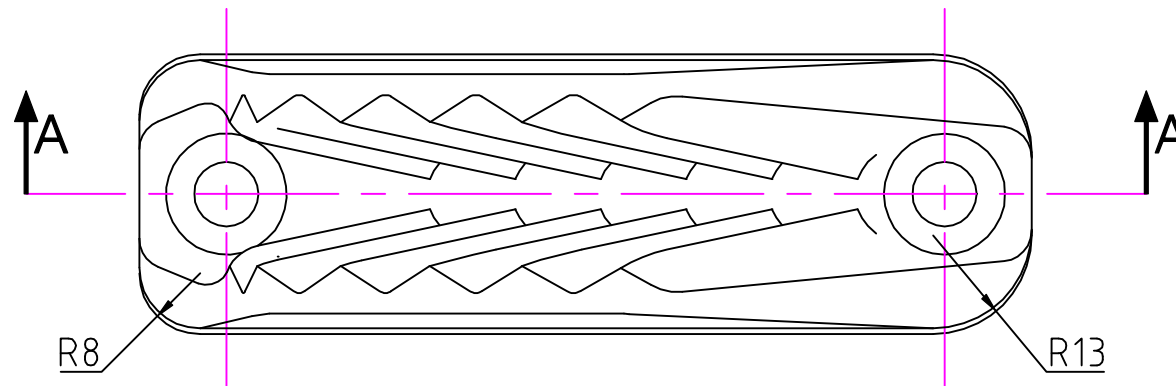
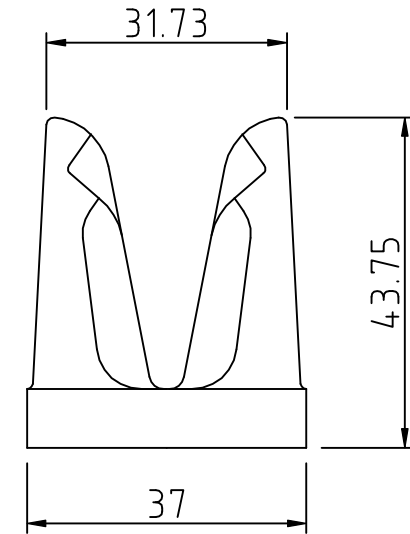
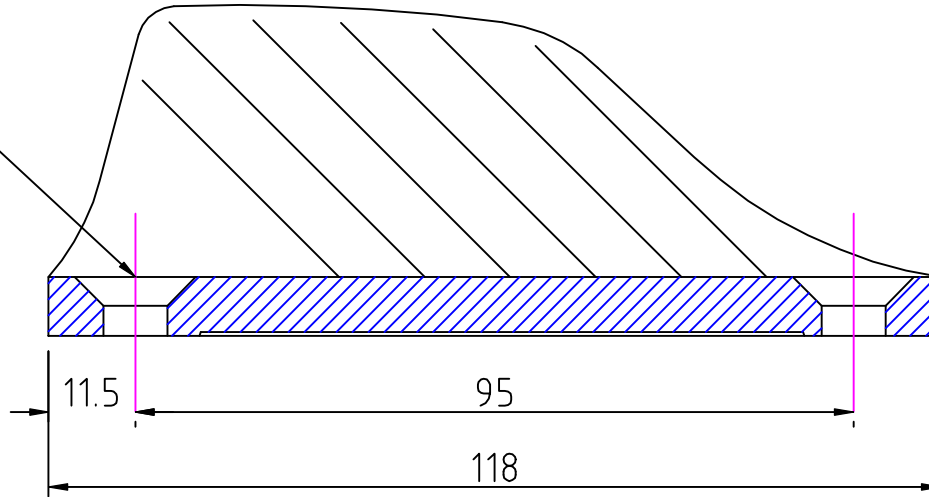
Issue: 1. Apr 1999
ID219.dwg


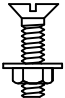
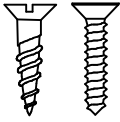

Material:
Diecast Aluminium

Installation Drawing for:-
CL219
Racing Vertical

2 Holes $\varnothing 8.5$
countersunk $\varnothing 16 \times 90^\circ$

Section 'AA'



| | |
|---|---|
|  |  M8 5/16" |
|  8mm. No.16 |  $\varnothing 12-16\text{mm}$ 1/2" - 5/8" |

Issue: 2. July 1998
ID220.dwg

Material:
Diecast Aluminium

Installation Drawing for:-

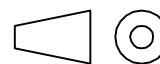
CL220

Racing Major

Clamcleat®
Rope cleats

Clamcleats Limited
Watchmead
Welwyn Garden City
Hertfordshire AL7 1AP
England

Telephone +44 (0)1707 330101
Fax +44 (0)1707 321269
<http://www.clamcleat-rope-cleats.com>



Scale 1:1
All dimensions in mm.