



Flipper Pump Mk 4

Simple hand operated solution for pumping water in the galley

Product Code: GP0418

COMPLETE YOUR SYSTEM

Freshwater system accessories such as water filters, and pipework connections – page 76-77

YOU MAY ALSO LIKE

Whale water filters – page 76
Watermaster Automatic Pressure Pumps – page 54

Manual Self Priming Galley Pump

- Ideal for installing between two sinks - swivelling outlet
- Precise flow control
- Easy operation - Light back & forth pump action
- 7 ltrs capacity (1.85 US gals) per minute
- Fine flow control
- Suitable for fresh or saltwater

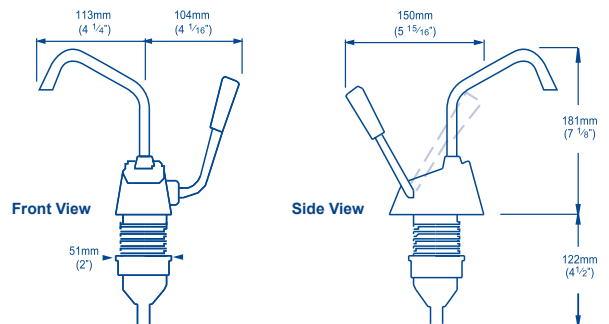


Product Information

Model Specifications

Model	Flipper Pump Mk 4
Product Code	GP0418
Hose Connections	Suitable for 13 mm (1/2") Flexible Hose
Weight	0.30 kg (0.71 lbs)
Materials	Pump Body: Acetal, Nylon, Polystyrene, Polypropylene LM6 Aluminium Alloy, Brass Seals: Neoprene, Nitrile®, ABS Fasteners: Stainless Steel
Service Kit	AK0405 - Service Kit for Flipper Mk3 and Mk4 Models Contains: Diaphragm, Seals, Screws AS0406 - Flipper Overhaul Kit
Maximum Suction Lift	3 m (10 ft)
Maximum Discharge Head	3 m (10 ft)
Maximum Output per Minute	7 ltrs (1.85 US gals)

Note: These specifications are retail items only.
For details of our bulk pack range for boat builders and wholesalers - contact Whale Support.



WARNING
Note: Not for use in pressurized systems

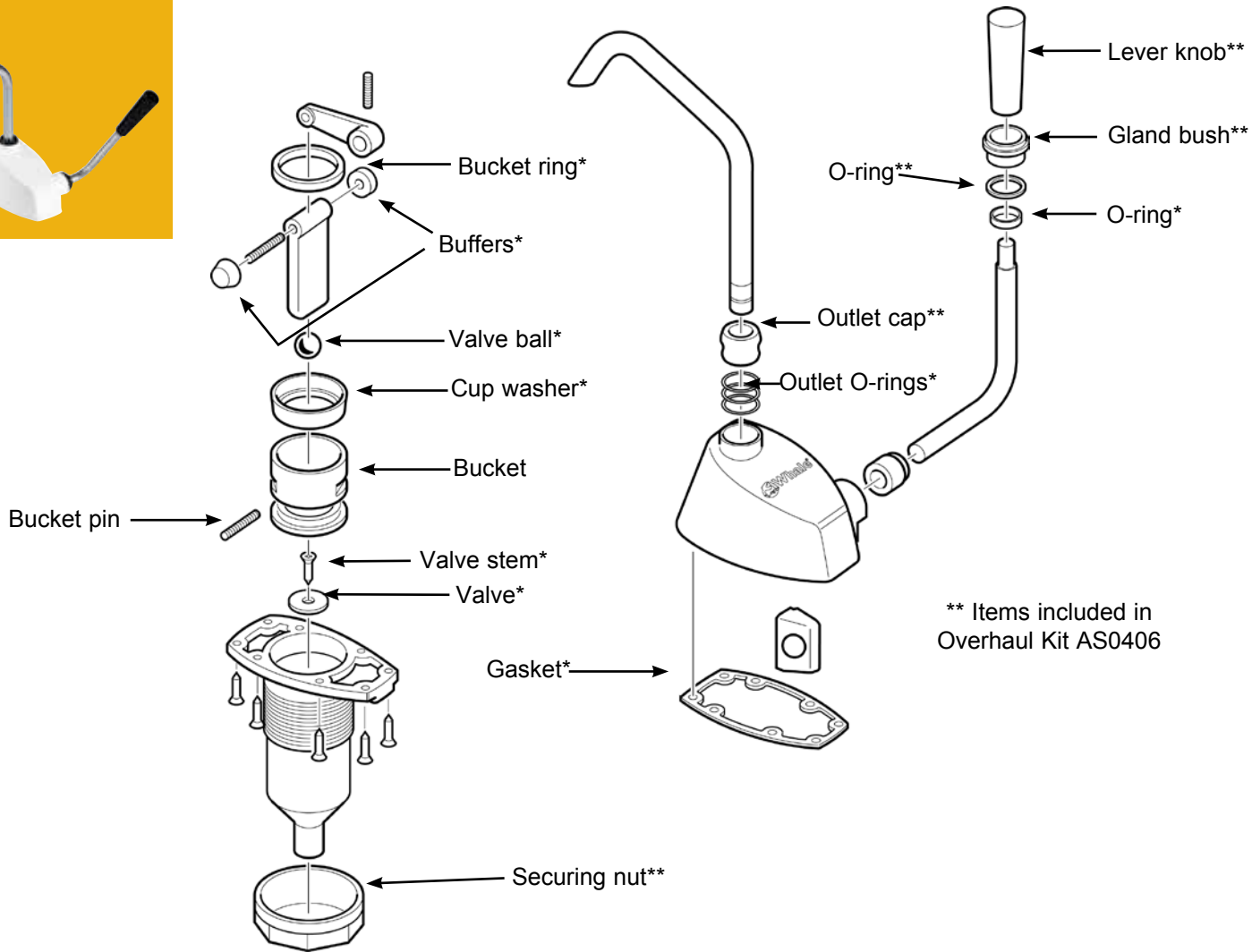


Manual Galley Pump - Hand Operated

Flipper Mk 3 & 4

Flipper Pump GP0418 - Self-Priming Lever Operated Hand Pump

Note* Contained in Service Kit AK0405



** Items included in Overhaul Kit AS0406

Flipper Mk 3 discontinued and replaced by Mk 4. Mk 1 and 2 service kits are not available

Service Kits

AK0405 With Complete Set of Serviceable Parts for Flipper Mk 3 & Mk 4

Qty	Containing
3	O-ring (3 per outlet)
1	Gasket
1	Bucket ring
1	Cup washer
1	Valve ball
2	Buffer
1	O-ring
1	O-ring (gland bush)
1	Valve stem
1	Valve

AS0406 Flipper Overhaul Kit

Qty	Containing
1	Outlet cap
1	Gland bush
1	Securing nut
1	Cover knob
1	O-ring



AK0405



AS0406