



Rule Automatic Bilge Pumps

500-1100 GPH BILGE PUMPS

Our bilge pumps provide ultimate pumping performance, which helps keep your bilge clear of nuisance water, building on the original Rule design.

Rigorous engineering and testing helped generate the new series of bilge pumps. Our pumps are tested to the highest standard, achieving rated performance at 12V, resulting in higher flow with better efficiency for the toughest applications.

The Rule automatic bilge pumps check for water every 2 1/2 minutes and keep bilge water at the lowest level of any automatic bilge pump. A standard pump and float switch allows water to reach 2" (5cm) before it activates. Rule automatic bilge pumps activate at 5/8" (1.6cm) and drain water down to 1/4" (0.6cm).

Our new designs include:

- **Higher Flow** – optimized impeller to provide greater flow at the same amperage
- **Back Flow Prevention** – reduces the amount of water flowing back into the bilge, reducing odor and helping keep your bilge cleaner
- **Hidden Air Vents in the Body** – helps prevent air locking in challenging plumbing installations
- **Threaded Discharge** – allows for different discharge port sizes

Rule brand builds on over 50 years of operational excellence and application expertise with a broad range of solutions for the marine industry.



ISO 8849 Marine (Electric bilge pumps)
ISO 8846 Marine (Ignition protection)

rule
a xylem brand

Rule...The world's most trusted pumps

Rule Automatic Bilge Pumps

Nominal GPH/ LPH	Model No.	Volts	Amps @ 12V	Amps @ 13.6V	Ports	Check Valve	Hose Dia.	UPC
500 (1890)	25SA	12 DC	1.6 (12V)	1.8 (13.6V)	YES	YES	3/4" (19mm)	042237-104786
500 (1890)	25SA-24	24 DC	0.8 (24V)	0.9 (27.2V)	YES	YES	3/4" (19mm)	042237-104793
800 (3028)	20SA	12 DC	3.4 (12V)	4.3 (13.6V)	YES	YES	3/4" (19mm)	042237-104779
1100 (4164)	27SA	12 DC	3.7 (12V)	4.7 (13.6V)	YES	YES	1" (25mm) AND 1-1/8" (29mm)	042237-104809
1100 (4164)	27SA-24	24 DC	1.9 (24V)	2.4 (27.2V)	YES	YES	1" (25mm) AND 1-1/8" (29mm)	042237-104816

500 GPH (1893 LPH)

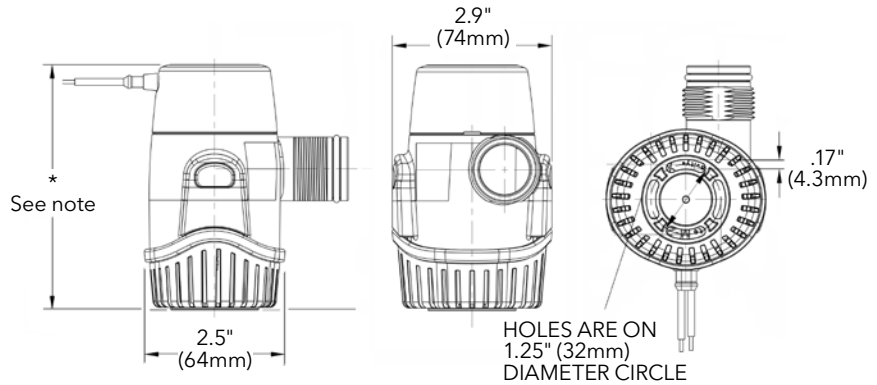
* 4.2" (107mm)
0.7 lbs (0.32kg)

800/1100 GPH (3028/4164 LPH)

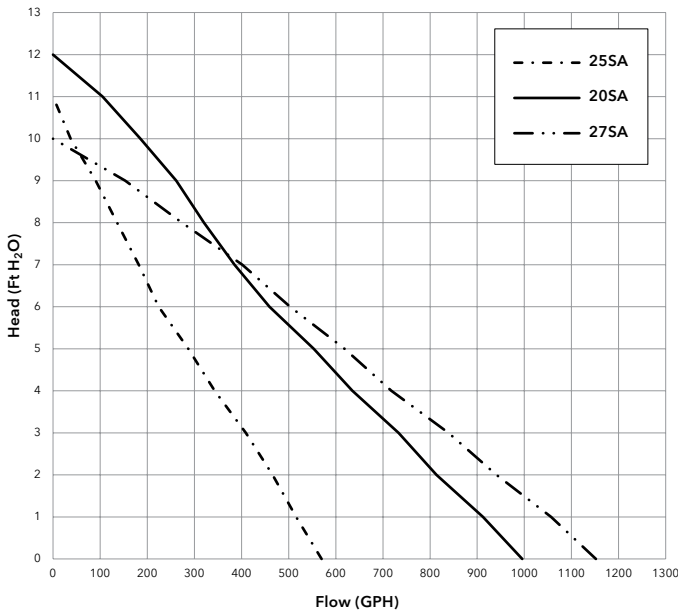
* 4.7" (120mm)
0.85 lbs (0.39kg)



Check Valve Included



Performance at Rated Voltage (12 or 24 Volts)



Extra Spare Parts

Description	Model No.
360/500 3/4" (19mm) Barbed Port	1200R
360/500 3/4" (19mm) Barbed Port 90 Degree	1201R
360/500 1" (25mm) Barbed Port	1202R
800/1100 3/4" (19mm) Barbed Port 90 Degree	1203R
800/1100 3/4" (19mm) Barbed Port	1204R
800/1100 1" (25mm) Barbed Port 90 Degree	1205R
800/1100 1" (25mm) Barbed Port	1206R
800/1100 1-1/8" (29mm) Barbed Port 90 Degree	1207R
800/1100 1-1/8" (29mm) Barbed Port	1208R
360/500 3/4" (19mm) Check Valve	1220R
800/1100 3/4" (19mm) Check Valve	1221R
800/1100 1" (25mm) Check Valve	1222R
800/1100 1-1/8" (29mm) Check Valve	1223R



Warranty: All products of the company are sold and all services of the company are offered subject to the company's warranty and terms and conditions of sale, copies of which will be furnished upon request. The information provided herein is for guidance only, it does not constitute a guarantee of the performance or specification of any individual product or component.

marine.xylem.com

USA
Xylem Inc.
100 Cummings Center
Suite 535N Beverly MA, 01915
Tel: (978) 281-0440
Fax: (978) 283-2619

UK
Xylem Inc.
Bingley Road, Hoddesdon
Hertfordshire EN11 0BU
Tel: +44 (0) 1992 450145
Fax: +44 (0) 1992 467132

GERMANY
Xylem Inc.
Oststrasse 28
22844 Norderstedt
Tel: +49-40-53 53 73-0
Fax: +49-40-53 53 73-11

PHILIPPINES
Xylem Inc.
12 Ring Road, LISP II
Brgy. Lamesa, Calamba City 4027
Tel: 63 (49) 5434341
Fax: 63 (49) 5456817

CHINA
Xylem Inc.
30/F Tower A, 100 Zunyi Road
Shanghai, China 200051
Tel: +86-21-2208-2888
Fax: +86-21-2208-2999

ITALY
Xylem Inc.
Via Tommaseo, 6 20059
Vimercate, Milano
Tel: +39 039 685 2323
Fax: +39 039 666 307