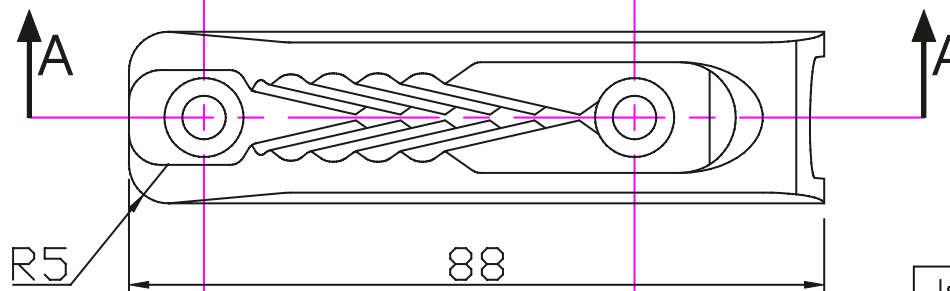
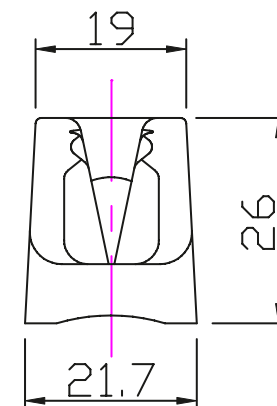
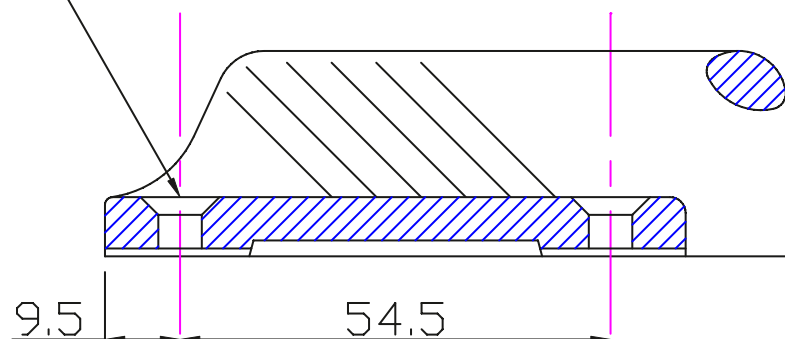
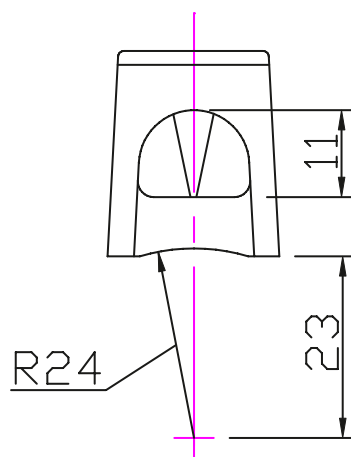


2 Holes $\phi 5.5$
 countersunk $\phi 10 \times 90^\circ$

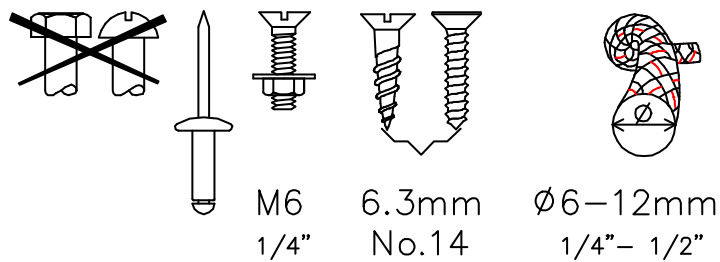
Section 'AA'



Clamcleats Limited
 Watchmead
 Welwyn Garden City
 Hertfordshire AL7 1AP
 England

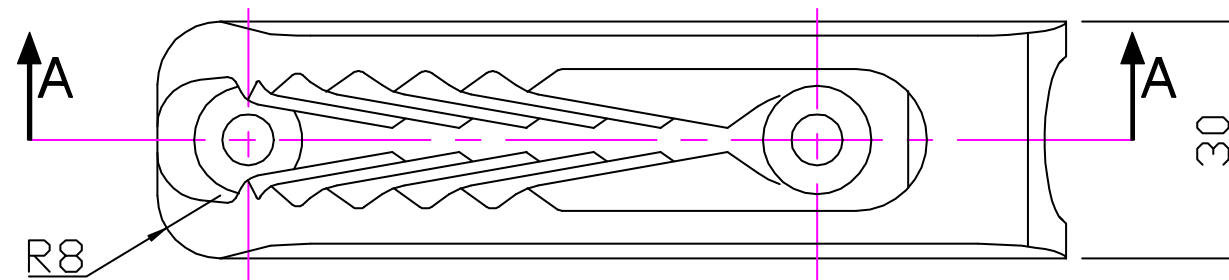
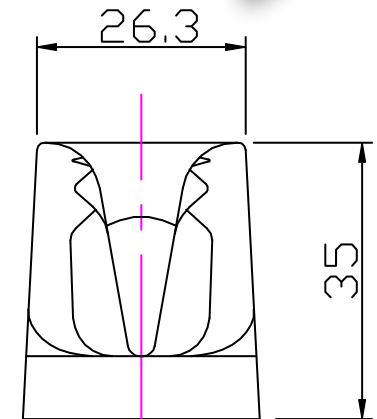
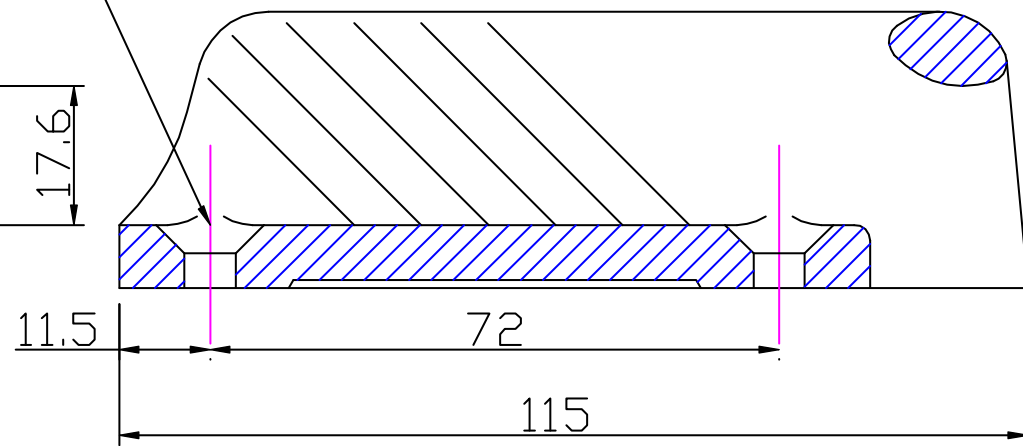
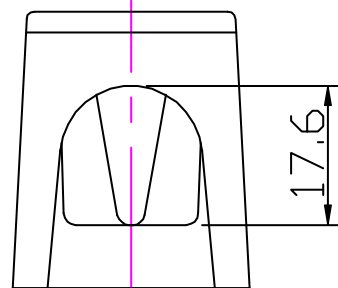
Telephone +44 (0)1707 330101
 Fax +44 (0)1707 321269
<http://www.clamcleat-rope-cleats.com>

Issue: 2.	May 2006 ID231.dwg
Material:	Nylon
Installation Drawing for: - CL231 Midi with Integral Fairlead	



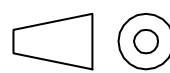
2 Holes Ø6.5
 countersunk Ø13.7x90°

Section 'AA'



Clamcleats Limited
 Watchmead
 Welwyn Garden City
 Hertfordshire AL7 1AP
 England

Telephone +44 (0)1707 330101
 Fax +44 (0)1707 321269
<http://www.clamcleat-rope-cleats.com>



Scale 1:1
 All dimensions in mm.

Issue: 1.	June 1999
ID228.dwg	
Material:	Nylon
Installation Drawing for:—	
CL228	
Vertical with Integral Fairlead	